

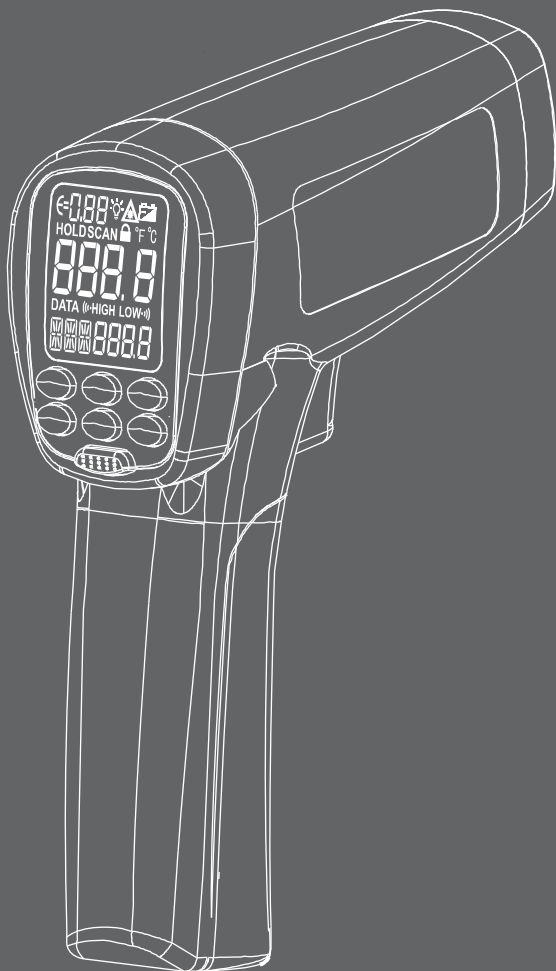


HARD AT WORK SINCE 1948.



IR-750 IR-750-EUR 50:1 Infrared Thermometer

Users Manual





IR-750

IR-750-EUR

50:1 Infrared Thermometer with memory

Users Manual

English

Limited Warranty and Limitation of Liability

Your Amprobe product will be free from defects in material and workmanship for one year from the date of purchase, unless local laws require otherwise. This warranty does not cover fuses, disposable batteries or damage from accident, neglect, misuse, alteration, contamination, or abnormal conditions of operation or handling. Resellers are not authorized to extend any other warranty on Amprobe's behalf. To obtain service during the warranty period, return the product with proof of purchase to an authorized Amprobe Test Tools Service Center or to an Amprobe dealer or distributor. See Repair Section for details. THIS WARRANTY IS YOUR ONLY REMEDY. ALL OTHER WARRANTIES - WHETHER EXPRESS, IMPLIED OR STATUTORY - INCLUDING IMPLIED WARRANTIES OF FITNESS FOR A PARTICULAR PURPOSE OR MERCHANTABILITY, ARE HEREBY DISCLAIMED. MANUFACTURER SHALL NOT BE LIABLE FOR ANY SPECIAL, INDIRECT, INCIDENTAL OR CONSEQUENTIAL DAMAGES OR LOSSES, ARISING FROM ANY CAUSE OR THEORY. Since some states or countries do not allow the exclusion or limitation of an implied warranty or of incidental or consequential damages, this limitation of liability may not apply to you.

Repair

All test tools returned for warranty or non-warranty repair or for calibration should be accompanied by the following: your name, company's name, address, telephone number, and proof of purchase. Additionally, please include a brief description of the problem or the service requested and include the test leads with the meter. Non-warranty repair or replacement charges should be remitted in the form of a check, a money order, credit card with expiration date, or a purchase order made payable to Amprobe.

In-Warranty Repairs and Replacement – All Countries

Please read the warranty statement and check your battery before requesting repair. During the warranty period any defective test tool can be returned to your Amprobe distributor for an exchange for the same or like product. Please check the "Where to Buy" section on www.amprobe.com for a list of distributors near you. Additionally, in the United States and Canada In-Warranty repair and replacement units can also be sent to a Amprobe® Test Tools Service Center.

Non-Warranty Repairs and Replacement – US and Canada

Non-warranty repairs in the United States and Canada should be sent to a Amprobe Service Center. Call Amprobe or inquire at your point of purchase for current repair and replacement rates.

In USA

Amprobe Test Tools
Everett, WA 98203
Tel: 877-AMPROBE (267-7623)

In Canada

Amprobe Test Tools
Mississauga, ON L4Z 1X9
Tel: 905-890-7600

Non-Warranty Repairs and Replacement – Europe

European non-warranty units can be replaced by your Amprobe distributor for a nominal charge. Please check the "Where to Buy" section on www.amprobe.com for a list of distributors near you.

European Correspondence Address*

Amprobe® Test Tools Europe
Beha-Amprobe GmbH
In den Engematten 14
79286 Glottertal, Germany
Tel.: +49 (0) 7684 8009 - 0
www.amprobe.eu

*(Correspondence only – no repair or replacement available from this address. European customers please contact your distributor.)

CONTENTS

SYMBOLS 3

SAFETY INFORMATION 3

UNPACKING AND INSPECTION 4

FEATURES..... 4

HOW THE THERMOMETERS WORK 4

OPERATING THE THERMOMETER..... 4

 Temperature Measurement 4

 Locating a Hot or Cold Spot 8

 Distance and Spot Size 8

 Field of View..... 8

 Emissivity 9

 Reminders 9

TYPICAL MEASUREMENTS 10

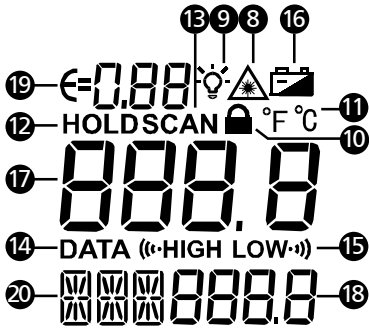
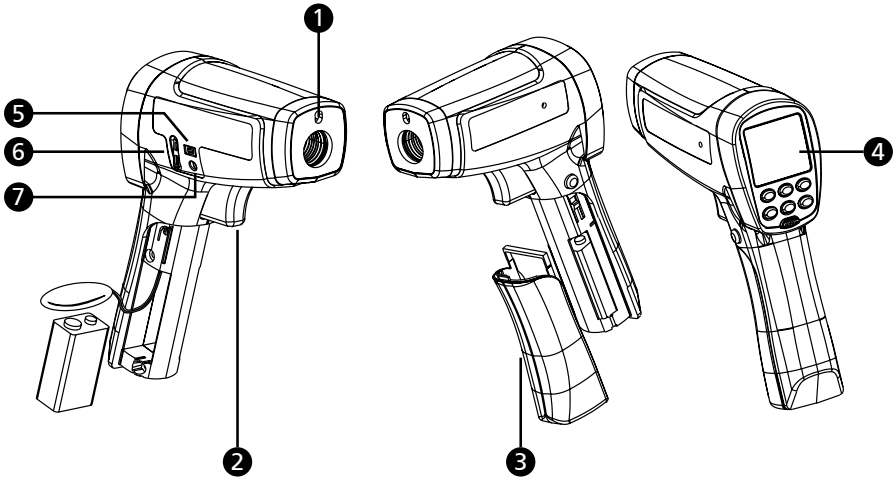
OPERATING IR-750 / IR-750-EUR SOFTWARE 13

DETAILED SPECIFICATIONS 17

MAINTENANCE..... 18





TROUBLE SHOOTING..... 19

BATTERY REPLACEMENT 19



- 1 Laser aperture
- 2 Trigger
- 3 Battery cover
- 4 Display
- 5 USB connector
- 6 K-type thermocouple connector
- 7 Power adaptor connector (for optional accessory)
- 8 Laser "ON" symbol
- 9 Display backlight
- 10 Measurement lock (continuous measurement)
- 11 Temperature unit (Celsius / Fahrenheit)
- 12 8 seconds auto display hold
- 13 Making measurement (pulling the trigger)
- 14 Built in memory up to 99 points
- 15 Programmable high and low alarm
- 16 Low battery indicator
- 17 Primary display
- 18 Secondary display
- 19 Emissivity (adjustable from 0.10 to 1.00)
- 20 MAX, MIN, DIF, AVG temperature values
HAL, LAL temperature setting
DATA point selection
T-C K-type thermocouple measurement

SYMBOLS

	Caution! Refer to the explanation in this Manual.
	Warning! Laser light. Do not stare into laser beam.
°C	Celsius.
°F	Fahrenheit.
	Battery indication.
CE	Complies with European Directives.
	Do not dispose of this product as unsorted municipal waste. Contact a qualified recycler.

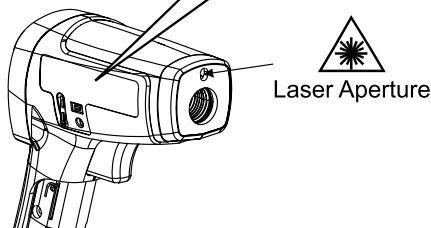
SAFETY INFORMATION

The instrument complies with:

EN 61010-1 General Safety

EN 60825-1 Laser Safety

EN 61326-1 Electromagnetic Emissions and Susceptibility



Warning

- Do not stare into laser beam.
- Do not point laser directly at eye or indirectly off reflective surfaces.
- For use by competent persons only.
- Replace the batteries as soon as the low-battery indicator appears.
- Do not use the thermometer if it operates abnormally.
- Do not operate the thermometer around explosive gas, vapor, or dust.
- To avoid a burn hazard or fire, know that reflective objects may be much hotter than the indicated temperature reading.
- Do not leave the thermometer on or near objects of high temperature.
- If the thermometer is used in a manner not specified by this manual, the protection provided by the thermometer may be impaired or may result in hazardous laser radiation exposure.

Cautions

To avoid damaging the thermometer under measurement, protect them from the following:

- EMF (electro-magnetic fields) from arc welders, induction heaters
- Static electricity
- Thermal shock (caused by large or abrupt ambient temperature changes — allow 30 minutes for instrument to stabilize before use)
- Do not leave the thermometer on or near objects of high temperature

UNPACKING AND INSPECTION

Your shipping carton should include:

- 1 Thermometer (IR-750 / IR-750-EUR)
- 1 USB cable
- 1 K-type thermocouple probe
- 1 Carrying case
- 1 Hard carrying case
- 1 9V battery (installed)
- 1 Users manual

If any of the items are damaged or missing, return the complete package to the place of purchase for an exchange.

FEATURES

The Amprobe IR-750 / IR-750-EUR, a precision performance 50:1 spot to distance ratio infrared thermometer, offers unparalleled accuracy and response time with a temperature measurement range of -58°F to 2822°F or -50°C to 1550°C. The IR-750 / IR-750-EUR is perfect for demanding quality and process control applications with extremely high accuracy and distance to spot ratio. The IR-750 / IR-750-EUR also features 99 data points recognition, thermocouple inputs, and USB download for advanced HVAC/R, electrical, industrial maintenance, automotive as well as quality control and fire prevention applications.

- 50:1 Distance to Spot ratio
- Temperature range of 0°F to -58°F to 2822°F or -50°C to 1550°C
- Precision accuracy and rapid response time
- Laser pointer, backlit dual LCD Display
- Auto display hold and MAX/MIN memory
- Adjustable emissivity for measuring a variety of materials
- 99 Memory locations and PC download cable included

HOW THE THERMOMETERS WORK

Infrared thermometers measure the surface temperature of an object. The thermometer's optics sense emitted, reflected, and transmitted energy, which is collected and focused onto a detector. The unit's electronics translate the signal into a temperature reading which the unit displays .

OPERATING THE THERMOMETER








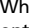
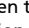
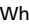
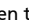
Temperature Measurement

The thermometer will turn on when you pull the trigger and also features an auto-off function that automatically powers down the thermometer after 8 seconds of inactivity.

To measure temperature, point the thermometer at an object and pull the trigger. You can use the laser pointer to help aim the thermometer. Pull and hold the trigger when measuring the target surface. When release the trigger, the display will hold the reading for 8 seconds. Be sure to consider distance-to-spot size ratio and field of view. The laser is used for aiming only and is not related to temperature measurement.



Rotary Switch Positions

Button	Description
YELLOW button	Press YELLOW button to toggle between MAX, MIN, DIF, AVG, HAL, LAL, DATA and T-C options. When the Thermometer goes into sleep mode, press MODE to turn the thermometer ON again and it displays the last measurement result.
SET	Press to enter set-up mode stepping through Emissivity, Trigger Lock and Switching °C/°F set-up. Details refer to the below Emissivity, Trigger Lock and °C / °F set-up.
	Press  to turn the display backlight ON or OFF. Selectable two level of display backlight to adapt different lighting conditions.
	Press  to turn the laser light ON or OFF.  symbol on the display Indicates laser light is ON.
 / 	When the thermometer enters the setup up mode (SET), press  or  to select a set-up option (Emissivity, Trigger lock, Switching °C / °F). When the thermometer enters HAL, LAL and DATA mode, press  or  to select a set-up option (Emissivity, Trigger lock, Switching °C / °F).


Laser



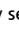
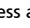
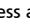
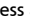
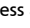
To avoid injury, do not point the laser directly at eye or indirectly off reflective surfaces.

The thermometer is equipped with a laser used for aiming purposes only. The laser turns off when the trigger is released.

To enable or disable the laser:

1. Press  button to enable or disable the laser. Symbol appears on the display when laser is enabled.

Emissivity set-up

1. Press SET button to select Emissivity set-up, icon  is blinking on the display
2. Press  to increase the value by 0.01. Press and hold  for quick setting. The maximum value is 1.00.
3. Press  to decrease the value by 0.01. Press and hold  for quick setting. The minimum value is 0.01.
4. Press MODE button to complete the setting and exit Emissivity set-up, or press SET button to complete the setting and continue setting for Trigger Lock.

Note: Default emissivity is 0.95.

Table of Surface Emissivity


Measure Surface	Switch Setting
METALS	
Aluminum	
Oxidized	0.2 – 0.4
Alloy A3003	
Oxidized	0.3
Roughened	0.1 – 0.3
Brass	
Burnished	0.3
Oxidized	0.5
Cooper	
Oxidized	0.4 – 0.8
Electrical Terminal Blocks	0.6
Haynes	
Alloy	0.3 – 0.8
Inconel	
Oxidized	0.7 – 0.95
Sandblasted	0.3 – 0.6
Electropolished	0.15
Iron	
Oxidized	0.5 – 0.9
Rusted	0.5 – 0.7
Iron Cast	
Oxidized	0.6 – 0.95
Unoxidized	0.2
Molten	0.2 – 0.3
Iron Wrought	
Dull	0.9
Lead	
Rough	0.4
Oxidized	0.2 – 0.6
Molybdenum	
Oxidized	0.2 – 0.6
Nickel	
Oxidized	0.2 – 0.5
Platinum	
Black	0.9
Steel	
Cold-Rolled	0.7 – 0.9
Ground Sheet	0.4 – 0.6
Polished Sheet	0.1
Zinc	
Oxidized	0.1

Measure Surface	Switch Setting
NON-METALS	
Asbestos	0.95
Asphalt	0.95
Basalt	0.7
Carbon	
Unoxidized	0.8 – 0.9
Graphite	0.7 – 0.8
Carborundum	0.9
Ceramic	0.95
Clay	0.95
Concrete	0.95
Cloth	0.95
Glass	
Plate	0.85
Gravel	0.95
Gypsum	0.8 – 0.95
Ice	0.98
Limestone	0.98
Paper (any colour)	0.95
Plastic	
Opaque	0.95
Soil	0.9 – 0.98
Water	0.93
Wood, (natural)	0.9 – 0.95

Trigger Lock

The thermometer trigger can be locked on for continuous measurement.

To lock the trigger:

1. Press **SET** button to select Trigger Lock set-up, icon  is blinking on the display
2. Press **▲** or **▼** to select ON or OFF.
3. Press **YELLOW** button to complete the setting and exit Trigger Lock set-up, or press **SET** button to complete the setting and continue setting for °C / °F.

°C / °F Set-up

1. Press **SET** button to select °C / °F set-up, icon °C or °F is blinking on the display
2. Press **▲** or **▼** to select °C or °F.
3. Press **YELLOW** button to complete the setting and exit °C / °F set-up.

MAX, MIN, DIF, AVG

The thermometer can measure maximum (MAX), minimum (MIN), differential (DIF) or average (AVG) temperatures each time a reading is taken. These values are available for infrared measurements.

1. Press **YELLOW** button until **MIN** or **MAX** or **AVG** or **DIF** appears on the display
2. Pull and hold the trigger while aiming at the target surface.
3. The value will show on secondary display.

High Alarm (HAL) and Low Alarm (LAL)

The thermometer has a programmable high and low alarm to designate high or low readings depending on the thresholds entered. When the alarm level is reached, an alarm will sound. This feature is not available when measuring by thermocouple.

To set either the high or low alarm:

1. Press **YELLOW** button to select **HAL** or **LAL** option.
2. Press **▲** or **▼** to adjust the threshold value.
3. Press **SET** button to complete the setting. Symbol **(H-HIGH or LOW-L)** will appear on the display.

To turn off the high or low alarm:

1. Press **YELLOW** button to select **HAL** or **LAL** option.
2. Press **SET** button. Disappearance of Symbol **(H-HIGH or LOW-L)** on the display indicates high or low alarm is off.



DATA Memory

The thermometer has 99 points data storage and the stored data can be downloaded via IR-750 / IR-750-EUR software. To save the data:

1. Press **YELLOW** button to select **DATA** option.
2. Press **▲** or **▼** to select data record number
3. Pull and hold the trigger while aiming at the target surface, press **DATA** button to save the measurement value.

To erase the saved data, when the thermometer is in standby mode (screen is off), press and hold "**DATA**" and "**▼**" button while pulling the trigger until a beep occurs. The data records on screen displays "----", all saved data is cleared.

K-Type Thermocouple Measurement

  **To avoid electrical shock or personal injury, do not connect the thermocouple contact probe to live electrical circuits.**

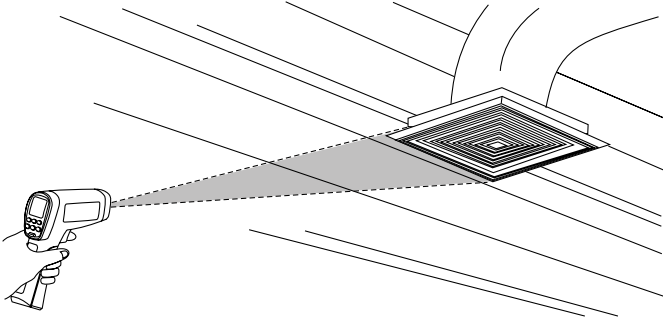
The thermometer comes with a bead K-type thermocouple probe.

K-type thermocouple is connected to the thermometer via TC-K input connector located on right side of the thermometer. The probe can be used simultaneously while the thermometer is taking non-contact measurements.

1. Press **YELLOW** button to enter T-C mode. The display shows OL before the measurement is made.
2. Connect the K-type thermocouple to the thermometer via TC-K input connector located on right side of the thermometer. Press the trigger to start measuring. Secondary display shows the measurement reading.
3. Release the trigger, the reading is kept on display (display hold: 8 seconds)

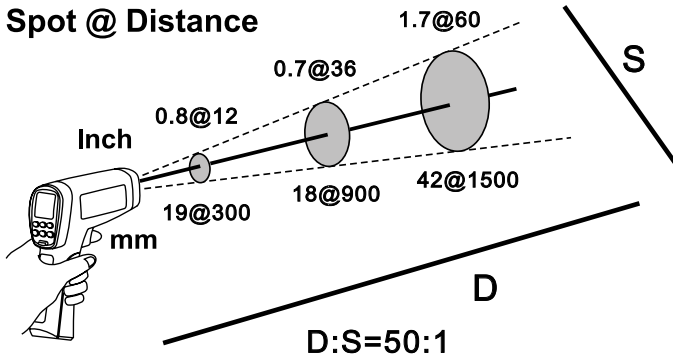
Locating a Hot or Cold Spot

To find a hot or cold spot, aim the thermometer outside the target area. Then, slowly scan across the area with an up and down motion until you located the hot or cold spot.



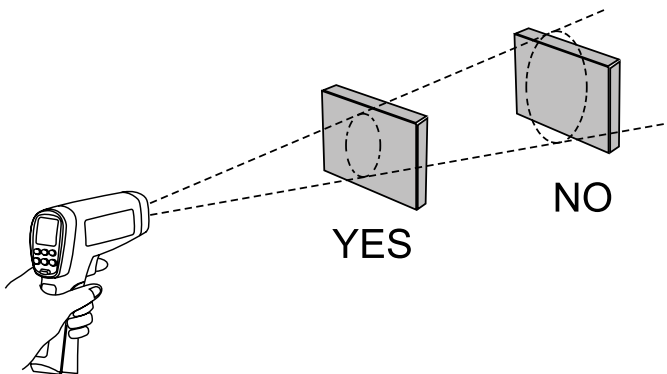
Distance and Spot Size

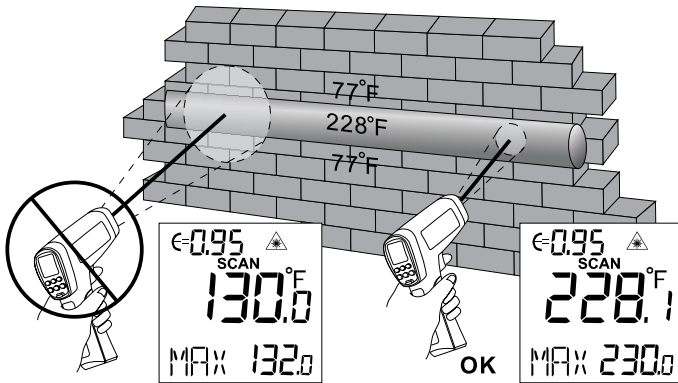
As the distance (D) from the target being measured increases, the spot size (S) of the area measured by the instrument becomes larger. The spot size indicates 90% encircled energy.



Field of View

Make sure that the target is larger than the spot size. The smaller the target, the closer you should be to it.





Emissivity

Emissivity describes the energy-emitting characteristics of materials. Most organic materials and painted or oxidized surfaces have an emissivity of about 0.95.

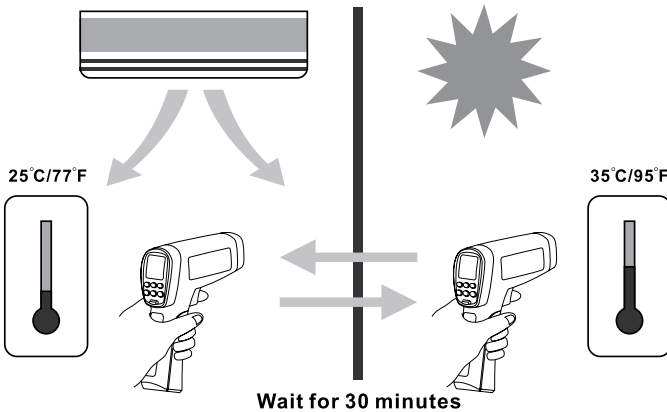
If possible, to compensate for inaccurate readings that may result from measuring shiny metal surfaces, cover the surface to be measured with masking tape or flat black paint (<150°C / 302°F) and use the high emissivity setting. Allow time for the tape or paint to reach the same temperatures as the surface beneath it. Measure the temperature of the tape or painted surface.

If you cannot use paint or use tape, then you could improve the accuracy of your measurements with the emissivity selector. Even with emissivity selector, it can be difficult to get a completely accurate infrared measurement of a target with a shiny or metallic surface.

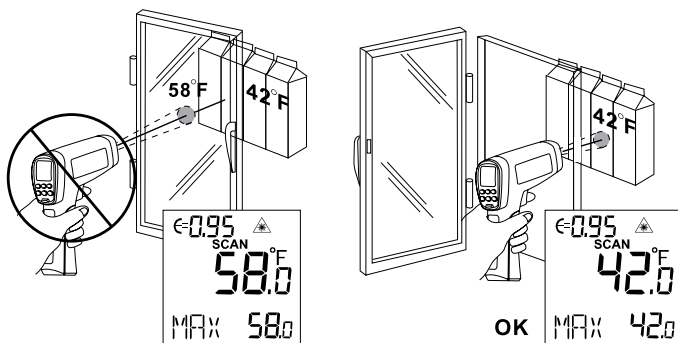
The thermometer allows you to adjust the emissivity for the type of surface you're trying to measure the temperature of. Use a different setting for your application by referring to the Table of Surface Emissivity.

Reminders

1. Changes of surrounding ambient temperature can result in inaccurate reading, allow time for the instrument to adopt the change of ambient temperature before use. Specified accuracy applies after 30 minutes when the instrument changes to a different temperature environment an inaccurate.



2. The instrument cannot measure through transparent surfaces such as glass. It will measure the surface temperature of the glass instead.



3. See Table of Surface Emissivity for use in measuring shiny or polished metal surfaces (stainless steel, aluminum, etc.).

4. Steam, dust, smoke, etc., can prevent accurate measurement by obstructing the instrument's optics.

TYPICAL MEASUREMENTS

This section describes a variety of measurements often performed by technicians.

Reminder:

- User could select to turn on or off the backlight and laser whenever you are making readings with the thermometer.
- Relatively high emissivity normally means emissivity setting of about 0.95.
- Relatively low emissivity normally means emissivity setting of about 0.30.
- When user cannot identify the emissivity of the object to be measured, user could cover the surface to be measured (temperature >150°C) with black electric tape (emissivity of about 0.95). Allow time for the tape to reach the same temperature as the object to be measured. Measure and record the temperature of the tape.

Aim the thermometer to the object to be measured, adjust the emissivity setting to make it as the same temperature as the tape. At this time, the thermometer emissivity setting is close to the emissivity of the object to be measured, measurement can be taken.

Testing Contactors (Starters)

1. Press **SET** to select emissivity. Press ▲ / ▼ to select relatively low emissivity for bright contacts, or 0.7 mid level for darkened contacts.
2. Press **YELLOW** button to select **MAX**.
3. Measure line and load side of one pole without releasing trigger.
4. A temperature difference between the line and load sides of a pole indicate increased resistance of one point and a contactor may be failing.

Testing Enclosed Relays

1. Press **SET** and then press ▲ / ▼ to set emissivity to relatively low for un-insulated connectors or relatively high for plastic encased relays or for Bakelite enclosed relays or insulated connectors.
2. Press **YELLOW** button to select **MAX**.
3. Start to scan.
4. Measure the relay casing, looking for hot spots.
5. Measure electrical connections on relay terminals looking for hot spots.

Testing Fuses and Buss Connections

1. Press **SET** and then press ▲ / ▼ to set emissivity to relatively high for paper covered fuse body or insulated connections.
2. Press **YELLOW** button to select **MAX**.
3. Scan the paper covered length of fuse.
4. Without releasing the trigger, scan each fuse. Unequal temperatures between fuses may indicate voltage or amperage imbalance.
5. Press **SET** and then press ▲ / ▼ to set emissivity to relatively low, for metal fuses and caps and insulated buss connections.
6. Press **MODE** to select **MAX**.
7. Scan each end cap on each fuse.

Note: Unequal temperatures or a high temperature indicates loose or corroded connection through the fuse buss spring clip

Testing Electrical Connections

1. Press **SET** and then press ▲ / ▼ to set emissivity to relatively low for un-insulated connectors or buss connections or relatively high for insulated connections.

Note: Conductors are typically smaller than the thermometer's spot size.

If the spot size is bigger than the connector, the temperature reading is the average within the spot.

2. Scan the conductor, moving toward direction of electrical connector (quick connector, wire nut, buss connection, etc.).

Scanning Walls for Air Leaks or Insulation Deficiencies

1. Turn off heating, cooling, and blower.
2. Press **SET** to select emissivity. Press ▲ / ▼ to select emissivity relatively high for painted surfaces or window surfaces.
3. Press **YELLOW** button to select **MIN** when opposite side of wall is at lower temperature and or select **MAX** when opposite side of wall is at higher temperature.
4. Measure an interior partition wall surface temperature.
5. Do not release the trigger. Record this temperature as your baseline (or benchmark) for a "perfectly" insulated wall.
6. Face the wall to be scanned. Stand 1.5m away to scan a 4cm spot on the wall.
7. Scan horizontal rows of wall from top to bottom, or horizontal rows of ceiling from wall to wall. Look for greatest deviations from baseline temperature to identify problems. This completes the insulation test scan.

Turn on the blower (no heat, no cooling) and retest. If test results with the blower on are different than results with the blower off, this may indicate air leaks in conditioned envelope walls. The air leaks are caused by duct leaks that create a pressure differential across the conditioned space envelope.

Testing Bearings



Warning

To avoid injury when testing bearings:

1. *Do not wear loose clothing, jewelry, or anything around neck when working around moving parts such as motors, belts, blower, and fans.*
2. *Make sure an electrical disconnect is within reach and operating correctly and freely.*
3. *Do not work alone.*

Note: It works best to compare two similar motors operating similar loads

1. Press **SET** and then press ▲ / ▼ to select relatively high emissivity.
2. Press **SELECT** to select **MAX**.
3. Enable motor and allow it to reach steady state operating temperatures.
4. Disable the motor if possible.
5. Measure the two motor bearing temperatures.
6. Compare the two motor bearing temperatures. Unequal temperatures or a high temperature can indicate a lubrication or other bearing problem that is resulting from excess friction.
7. Repeat the sequence for the blower bearings.

Testing Belts and Sheaves

1. Press **SET** and then press ▲ / ▼ to select relatively high emissivity.
2. Press **SELECT** to select **MAX**.
3. Enable the motor and allow it to reach a steady state operating temperatures.
4. Aim the thermometer at the surface to be measured.
5. Start recording temperature.
6. Slowly move the thermometer up the belt toward second sheave.
 - If belt is slipping, sheave temperature will be high from friction.
 - If belt is slipping, belt temperature will remain high between sheaves.
 - If belt is not slipping, belt temperature will reduce between sheaves.
 - If inner surfaces of sheaves are not a true "V" shape, this indicates belt slippage and will continue to operate at elevated temperatures until sheave is replaced.
 - Sheaves must be properly aligned (include "pitch & yaw") for belt and sheaves to operate at appropriate temperatures. A straight edge or taut string, can be used to check alignments.
 - Motor sheave should operate at a temperature consistent with blower sheaves.
 - If motor sheave is at a higher temperature at motor shaft than at outer circumference, belt is probably not slipping.
 - If outer circumference of sheave is at higher temperature than sheave at motor shaft, then belt is probably slipping and sheaves may be misaligned.

Checking Hydronic Radiant Heat Applications

1. Press **SET** and then press / to select relatively high emissivity.
2. Press **YELLOW** button to select **MAX**.
3. To locate radiant heat tubes in floor, temporarily elevate the loop temperature to create hotter spots for identifying tubing runs.
4. Before releasing trigger, press **YELLOW** button to toggle between **MIN**, **MAX**, **DIF** floor temperatures and record the temperature for future comparison and trending under similar conditions.

Measuring Grill, Register, or Diffuser Discharge Temperature

1. Press **SET** and then press ▲ / ▼ to select relatively high emissivity.
2. Aim the thermometer at the discharge air grille, register, or diffuser.
3. Measure discharge temperature.
4. Release trigger to freeze the temperature reading for 8 seconds and record this temperature.
5. Grille, register, or diffuser temperature should be equivalent to discharge temperature at the air handler.

Checking for Blockage in Air-To-Air Evaporator or Condensers

1. Remove panels to gain access to coil return bends or hairpins.
2. Press **SET** and then press ▲ / ▼ to select relatively high emissivity for copper tube.
3. Start the refrigeration system.
4. Aim the thermometer at coil turn bends/hairpins.
5. Start recording temperature.
6. Take temperature of each return bend/hairpin.
 - All evaporator return bends/hairpins should be at or slightly above evaporator saturation temperature from the pressure/temperature chart.
 - All condenser return bend/hairpins should be at or slightly less than condenser saturation temperature.
 - If a group of return bends/hairpins do not conform to expected temperatures, that indicates a blocked or restricted distributor or distributor tube.

OPERATING IR-750 / IR-750-EUR SOFTWARE

System Prerequisites

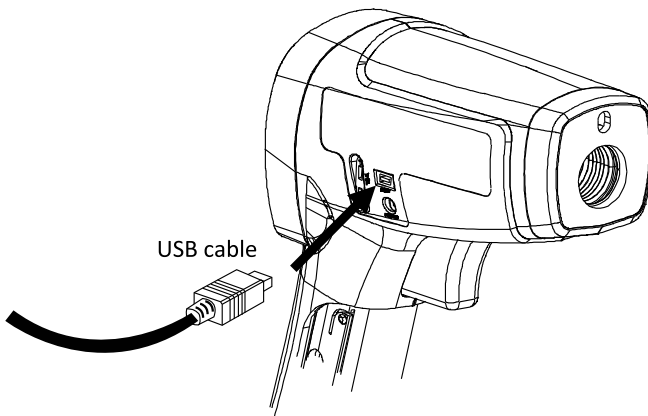
Recommended configuration

Processor	Pentium® 4 or higher with support of all customary operating systems
Operating system	Microsoft Windows® 2000 / XP / Vista / Win7
Memory	512 MB RAM or higher
Monitor	VGA (1024 x 768)
Drive	CD-ROM
Input device	Mouse or compatible
Interface	USB for data transmission

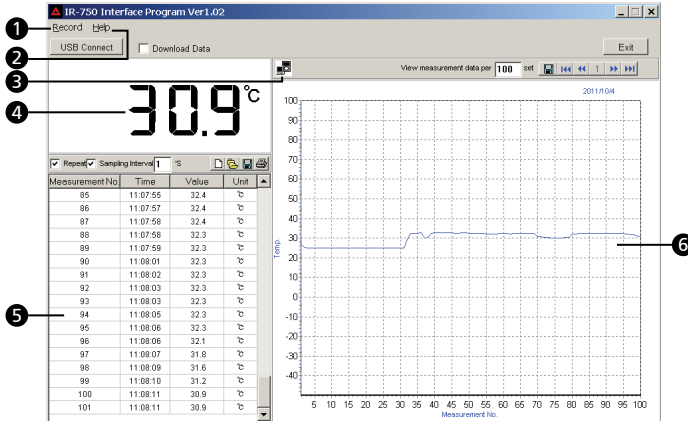
Install IR-750 / IR-750-EUR Software

- Insert the provided CD disk into CD-ROM drive.
- Double-click "IR-750_VX.XX.exe" (X can be 0 to 9 or blank, indicating the software version)
- The pop-up windows will guide you through the program setup process.

Connecting USB cable to IR-750 / IR-750-EUR Thermometer



Main Screen



- 1 **Record** command enables you to create New, Save file and set the numbers of measurement (1000, 5000, 10000, 50000, 100000 or limitless).
- 2 **Help** command enables you to view the software operation instructions.
- 3 Blinking indicates IR-750 / IR-750-EUR is connected to the software
- 4 Main display screen of measurement
- 5 Secondary display screen for measurement data
- 6 Measurement data in graph

Using Program

USB Connect button enables you to connect to IR-750 / IR-750-EUR thermometer and start measurement. "USB Connect" blinking indicates that the IR-750 / IR-750-EUR Thermometer is successfully connected to the PC and that the thermometer will automatically start taking measurements. The primary display screen shows current measurement temperatures and the secondary display screen shows all measurement data. Download Data enables you to download temperature measurements saved in IR-750 / IR-750-EUR Thermometer. Tick "Download Data" and then click "USB Connect"; the saved data will automatically upload to your PC and display on secondary display.

Exit Exit and close the program

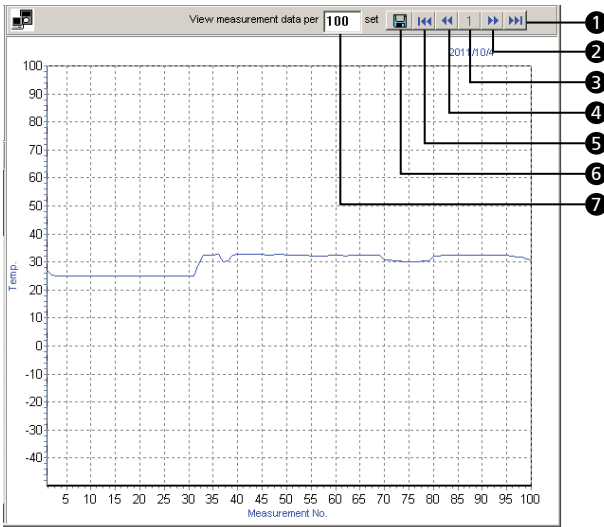
Measurement No.	Time	Value	Unit
1	11:06:32	27.1	°C
2	11:06:32	25.4	°C
3	11:06:33	25.1	°C
4	11:06:34	25.1	°C
5	11:06:36	25.1	°C
6	11:06:37	25.0	°C
7	11:06:38	25.0	°C
8	11:06:38	25.0	°C

- 1 Print data
- 2 Save data (*.txt, *.xls, *.xml)
- 3 Open files (*.txt, *.xls, *.xml)
- 4 Deleting current data and create a new data.

Repeat: Tick to display every measurement with the interval you set. Un-tick "Repeat", the secondary display will only show measurement results that are different from the last measured temperature. The graph display will show complete measurement results in the graphics despite whether "Repeat" is ticked or un-ticked.


Sampling Interval allows you to set the sampling intervals of measurement (1 to 9999 seconds).

Note: When measurement data reaching to 10000 sets (measurement number), a warning message will pop up and stop measurements. Save or clear the measurement data before continuing next measurements.



- ① Last page
- ② Next page
- ③ Current page
- ④ Previous page
- ⑤ First page
- ⑥ Save graph in current page as *.bmp
- ⑦ Set numbers of measurement data on graph display

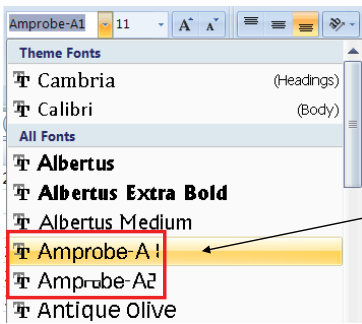
Test Report

Test data can be saved as *.txt, *.xls, *.xml by clicking  button. When opening data report, make sure selecting font format as Amprobe-A1 or Amprobe-A2 in "Unit" column in order to display correct temperature unit °C or °F.

The screenshot shows an Excel spreadsheet with the following data:

	A	B	C	D
1	Report created on: 2011/10/4			
2				
3	No	Time	Value	Unit
4	1	11:06:32	27.1	#
5	2	11:06:32	25.4	#
6	3	11:06:33	25.1	#
7	4	11:06:34	25.1	#
8	5	11:06:36	25.1	#
9	6	11:06:37	25	#
10	7	11:06:38	25	#
11	8	11:06:38	25	#

or ? indicates incorrect font selection for temperature unit



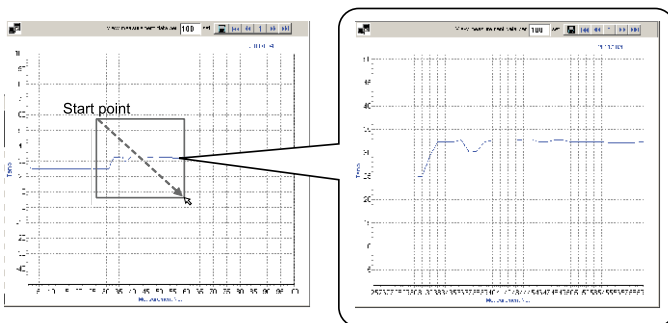
Select Amprobe-A1 or Amprobe-A2 to display correct temperature unit


	A	B	C	D
1	Report created on: 2011/10/4			
2				
3	No	Time	Value	Unit
4	1	11:06:32	27.1	°C
5	2	11:06:32	25.4	°C
6	3	11:06:33	25.1	°C
7	4	11:06:34	25.1	°C
8	5	11:06:36	25.1	°C
9	6	11:06:37	25	°C
10	7	11:06:38	25	°C
11	8	11:06:38	25	°C

Correct display of temperature unit

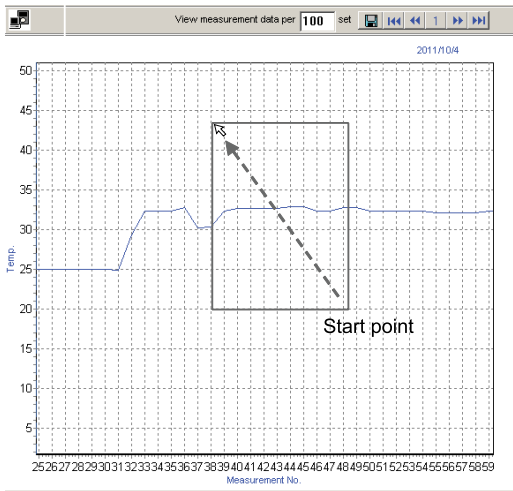
Zoom In Selected Graph

To enlarge the particular part of the graph, use the mouse pointer to select area from upper-left point to lower-right point.



You can use  button to save the selected enlarged graph.

To resume to its original full view, use the mouse pointer to select any area on the graph from lower-right point to upper-left point.



DETAILED SPECIFICATIONS

Feature	IR-750 / IR-750-EUR
Temperature Range	-50°C to 1550°C (-58°F to 2822°F)
Accuracy (assumes ambient operating temperature of 23°C to 25°C (73°F to 77°F))	>0°C to 1550°C (>32°F to 2822°F): $\pm 1.8\%$ or $\pm 1.8^\circ\text{C}$ ($\pm 4^\circ\text{F}$), whichever is greater (Typical) >-35°C to 0°C (-31°F to 32°F): $\pm 1.8\% + 1^\circ\text{C}$ (2°F) or $\pm 2.8^\circ\text{C}$ ($\pm 6^\circ\text{F}$), whichever is greater (Typical) -50°C to -35°C (-58°F to -31°F): not specified (for reference only)
Repeatability	$\pm 0.5\%$ of reading or $\pm 0.5^\circ\text{C}$ ($\pm 1^\circ\text{F}$), whichever is greater (Typical)
Display Resolution	0.1°C / 0.1°F of reading < 999.9 0.2°C / 0.2°F of reading below 10°C (50°F) 1°C / 1°F of reading > 999.9
Spectral Response	8 μm to 14 μm
Laser Sighting	Single point laser
Laser Power	Output > 1mW Class 2, wavelength 630 to 670nm
Response Time (95%)	250ms
Distance to Spot (D:S)	50:1
Minimum Spot Size	19mm
Emissivity	Digitally adjustable from 0.10 to 1.00 by 0.01. Pre-set emissivity is 0.95
Ambient Operating Temperature	0°C to 50°C 32°F to 120°F
Relative Humidity	0% to 75% non-condensing
Storage Temperature	-20°C to 65°C / -4°F to 150°F (Battery not installed)
Temperature Display	°C or °F selectable
Display Hold	8 sec
MAX/MIN Temperature Display	√

DIF/AVG Temperature Display	√
USB Interface	√
Data Storage	99
Programmable High and Low Alarm	√
K-Type Thermocouple Measurement	√
Dual LCD Display	√
LCD Backlit	√
Low Battery Indication	√
Tripod Mount	√
Power	9V 6F22 alkaline battery or by Amprobe EPS-700-US (US plug) or EPS-700-EUR (European plug) power adaptor
Battery Life	10 hours with laser and backlight on 30 hours with laser and backlight off
Dimension (H x L x W)	Approx.183 x 147 x 57 mm (7.2 x 5.8 x 2.3 in)
Weight	Approx.345 g (0.76 lb) with battery installed
Optional Accessory	Power adaptor EPS-700-US (US plug), EPS-700-EUR (European plug)

MAINTENANCE

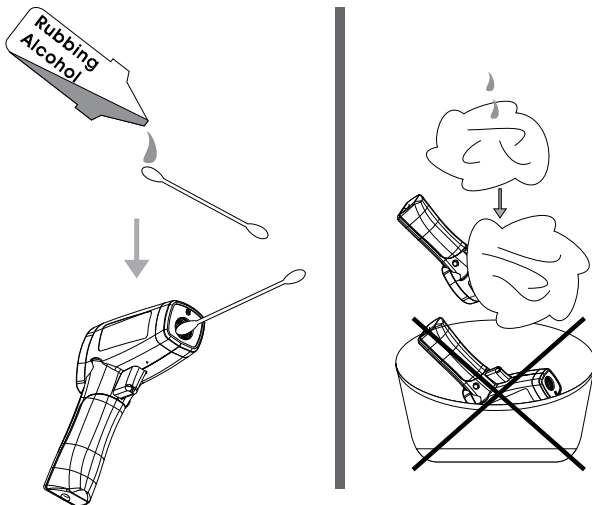
Lens Cleaning: Blow off loose particles using clean compressed air. Gently brush remaining debris away with a camel hair brush. Carefully wipe the surface with a moist cotton swab. The swab may be moistened with water or rubbing alcohol.

NOTE: DO NOT use solvents to clean the plastic lens.


Case Cleaning: Use soap and water on a damp sponge or soft cloth.

Caution!

Do not submerge the unit in water.



TROUBLE SHOOTING

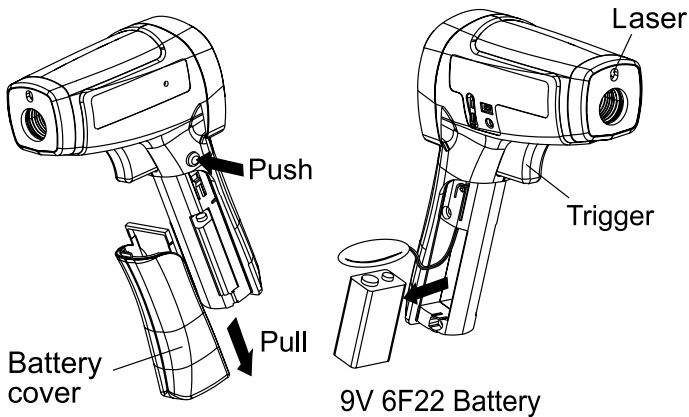
Code	Problem	Action
OL	Target temperature is over range	Select target within specifications
-OL	Target temperature is under range	Select target within specifications
Battery indication 	Low battery	Check and/or replace battery
Blank display	Possible dead battery	Check and/or replace battery
Laser does not work	1. Low or dead battery 2. Ambient temperature above 40°C (104°F)	1. Replace battery 2. Use in area with lower ambient temperature
Beeper beeps continuously	Check if high/low alarm has been set and if the measurement value is over the limit	Reset high/low alarm setting or cancel the limit setting

BATTERY REPLACEMENT

To install or change one 9V battery (see below):

1. Push the button and pull the handle downward to open battery cover.
2. Install the battery noting its correct polarity.
3. Re-install the battery cover.

Battery: 9V 6F22 alkaline battery or equivalent





IR-750

IR-750-EUR

Thermomètre IR 50:1 avec mémoire

Mode d'emploi

Français

Limites de garantie et de responsabilité

Amprobe garantit l'absence de vices de matériaux et de fabrication de ce produit pendant une période d'un an prenant effet à la date d'achat, sauf disposition contraire prévue par la loi. Cette garantie ne s'applique pas aux fusibles, aux piles jetables ni à tout produit mal utilisé, modifié, contaminé, négligé ou endommagé par accident ou soumis à des conditions anormales d'utilisation et de manipulation. Les revendeurs n'ont pas l'autorisation de prolonger toute autre garantie au nom d'Amprobe. Pour bénéficier de la garantie, renvoyez le produit accompagné d'un justificatif d'achat auprès d'un centre de services agréé par Amprobe Test Tools ou d'un distributeur ou d'un revendeur Amprobe. Voir la section Réparation pour tous les détails. LA PRÉSENTE GARANTIE EST LE SEUL ET EXCLUSIF RECOURS DE L'UTILISATEUR TOUTES AUTRES GARANTIES, EXPLICITES, IMPLICITES OU STATUTAIRES, NOTAMMENT LE CAS ÉCHÉANT LES GARANTIES DE QUALITÉ MARCHANDE OU D'ADAPTATION À UN OBJECTIF PARTICULIER SONT EXCLUES PAR LES PRÉSENTES. LE FABRICANT NE SERA EN AUCUN CAS TENU RESPONSABLE DE DOMMAGES PARTICULIERS, INDIRECTS, ACCIDENTELS OU CONSÉCUTIFS, NI D'AUCUNS DÉGÂTS OU PERTES DE DONNÉES, SUR UNE BASE CONTRACTUELLE, EXTRA-CONTRACTUELLE OU AUTRE. Étant donné que certaines juridictions n'admettent pas les limitations d'une condition de garantie implicite ou l'exclusion ou la limitation de dégâts accidentels ou consécutifs, il se peut que les limitations et les exclusions de cette garantie ne s'appliquent pas à votre cas.

Réparation

Tous les outils de test renvoyés pour être réparés au titre de la garantie ou pour étalonnage doivent être accompagnés des éléments suivants : nom, raison sociale, adresse, numéro de téléphone et justificatif d'achat. Ajoutez également une brève description du problème ou du service demandé et incluez les cordons de test avec l'appareil. Les frais de remplacement ou de réparation hors garantie doivent être acquittés par chèque, mandat, carte de crédit avec date d'expiration, ou par bon de commande payable à l'ordre de Amprobe® Test Tools.

Remplacements et réparations sous garantie – Tous pays

Veillez lire la déclaration de garantie et vérifier les piles avant de demander une réparation. Pendant la période de garantie, tout outil de test défectueux peut être renvoyé auprès de votre distributeur Amprobe® Test Tools pour être échangé contre un produit identique ou similaire. Consultez la section « Where to Buy » sur le site www.amprobe.com pour obtenir la liste des distributeurs dans votre région. Les appareils sous garantie devant être remplacés ou réparés au Canada et aux États-Unis peuvent également être envoyés dans un centre de services Amprobe® Test Tools (voir les adresses ci-dessous).

Remplacements et réparations hors garantie – Canada et États-Unis

Les appareils à réparer hors garantie au Canada et aux États-Unis doivent être envoyés dans un centre de services Amprobe® Test Tools. Appelez Amprobe® Test Tools ou renseignez-vous auprès de votre lieu d'achat pour connaître les tarifs en vigueur de remplacement ou de réparation.

Aux États-Unis

Amprobe Test Tools

Everett, WA 98203

Tél. : 877-AMPROBE (267-7623)

Au Canada

Amprobe Test Tools

Mississauga, Ontario L4Z 1X9

Tél. : 905-890-7600

Remplacements et réparations hors garantie – Europe

Les appareils européens non couverts par la garantie peuvent être remplacés par votre distributeur Amprobe® Test Tools pour une somme nominale. Consultez la section « Where to Buy » sur le site www.amprobe.com pour obtenir la liste des distributeurs dans votre région.

Adresse postale européenne*

Amprobe® Test Tools Europe

Beha-Amprobe GmbH

In den Engematten 14

79286 Glottertal, Allemagne

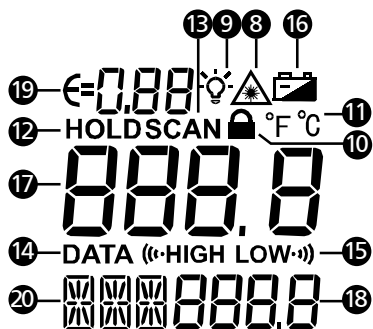
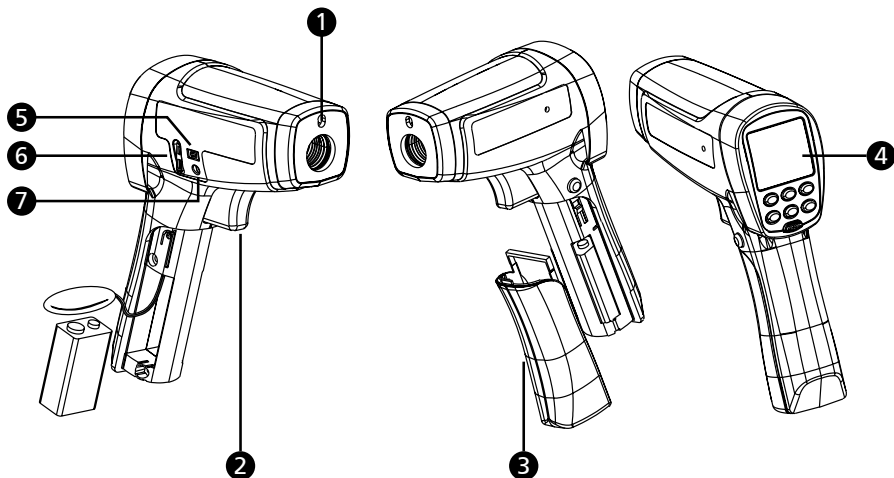
Tél. : +49 (0) 7684 8009 - 0

www.amprobe.eu

* (Réservée à la correspondance – Aucune réparation ou remplacement n'est possible à cette adresse. Nos clients européens doivent contacter leur distributeur.)





TABLE DES MATIÈRES

SYMBOLES	3
CONSIGNES DE SÉCURITÉ	3
DÉBALLAGE ET INSPECTION	4
FONCTIONNALITÉS	4
FONCTIONNEMENT DES THERMOMÈTRES	4
UTILISATION DU THERMOMÈTRE	4
Mesures de température	4
Localisation d'un point chaud ou froid	8
Distance et taille du point focal (spot)	8
Champ de visée	8
Émissivité	9
Rappels	9
MESURES TYPIQUES	10
FONCTIONNEMENT DU LOGICIEL IR-750 / IR-750-EUR	13
CARACTÉRISTIQUES	17
ENTRETIEN	18
DÉPANNAGE	19
CHANGEMENT DES PILES	19



- ① Ouverture laser
- ② Gâchette
- ③ Couvercle de pile
- ④ Affichage
- ⑤ Connecteur USB
- ⑥ Connecteur de thermocouple de type K
- ⑦ Connecteur d'adaptateur secteur (pour un accessoire optionnel)
- ⑧ Symbole laser « actif »
- ⑨ Rétroéclairage
- ⑩ Verrouillage de mesure (mesure continue)
- ⑪ Unité de température (Celsius / Fahrenheit)
- ⑫ Maintien d'affichage automatique de 8 secondes
- ⑬ Établissement des mesures (en actionnant la gâchette)
- ⑭ Mémoire intégrée de 99 points
- ⑮ Alarme haute et basse programmable
- ⑯ Témoin de pile faible
- ⑰ Fenêtre principale
- ⑱ Fenêtre secondaire
- ⑲ Émissivité (réglable de 0,10 à 1,00)
- ⑳ Valeurs de température MAX, MIN, DIF, AVG
Réglage de température HAL, LAL Sélection des points de données DATA
Mesure de thermocouple de type T-C K

SYMBOLES

	Attention ! Se reporter aux explications de ce manuel.
	Avertissement ! Lumière laser. Ne pas regarder dans le faisceau laser.
°C	Celsius.
°F	Fahrenheit.
	Témoin de pile.
CE	Conforme aux directives européennes.
	Ne pas mettre ce produit au rebut parmi les déchets ménagers. Consulter un centre de recyclage homologué.

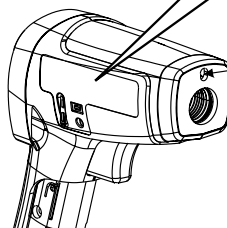
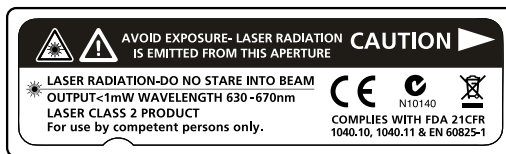
CONSIGNES DE SÉCURITÉ

L'instrument est conforme aux normes suivantes :

Sécurité générale EN 61010-1

Sécurité laser EN 60825-1

Émissions et sensibilité électromagnétique EN 61326-1



Ouverture laser

Avertissement

- Ne pas regarder dans le faisceau laser.
- Ne pas pointer directement le laser en direction des yeux, ou indirectement vers des surfaces réfléchissantes.
- Utilisation réservée aux personnes compétentes.
- Remplacer les piles dès que l'indicateur des piles déchargées apparaît.
- Vérifier le fonctionnement du thermomètre en mesurant une source de tension connue. Ne pas utiliser le thermomètre s'il ne fonctionne pas normalement.
- Ne pas utiliser le thermomètre à proximité de gaz explosifs, de vapeurs ou de poussière.
- Pour éviter les risques d'incendie ou de brûlures, ne pas oublier que les objets réfléchissants sont souvent plus chauds que la température indiquée sur le thermomètre.
- Ne pas laisser le thermomètre sur ou à proximité d'objets à température élevée.
- Utiliser le thermomètre en respectant les indications de ce mode d'emploi afin de ne pas entraver la protection intégrée au thermomètre et de pas provoquer d'exposition dangereuse au rayonnement laser.

Attention

Pour ne pas endommager le thermomètre pendant la mesure, le protéger des éléments suivants :

- CEM (champs électromagnétiques) des soudeurs à l'arc, chauffages à induction
- Électricité statique
- Chocs thermiques (provoqués par des changements de température ambiante importants ou abrupts : laisser l'appareil se stabiliser 30 minutes avant l'emploi)
- Ne pas laisser le thermomètre sur ou à proximité d'objets à température élevée

DÉBALLAGE ET INSPECTION

Le carton d'emballage doit inclure les éléments suivants :

- 1 thermomètre (IR-750 / IR-750-EUR)
- 1 câble USB
- 1 sonde thermocouple de type K
- 1 sacoche de transport
- 1 étui de transport
- 1 pile de 9 V (installée)
- 1 Mode d'emploi

Si l'un de ces éléments est endommagé ou manquant, renvoyez le contenu complet de l'emballage au lieu d'achat pour l'échanger.

FONCTIONNALITÉS

Le thermomètre Amprobe IR-750 / IR-750-EUR, un thermomètre infrarouge avec un rapport de distance à taille de point focal de 50:1, offre la meilleure précision de sa classe et un temps de réponse avec une plage de mesure de températures de -50 °C à 1550 °C (-58 °F à 2822 °F). L'IR-750 / IR-750-EUR est spécialement conçu pour les applications de contrôle de procédés avec une précision extrêmement élevée de la distance au point focal. Le thermomètre Amprobe IR-750 / IR-750-EUR propose également la reconnaissance de 99 points de données, des entrées de thermocouple et le téléchargement par connexion USB pour les applications avancées de CVC/R, électricité, maintenance industrielle, automobile et le contrôle de la qualité et la prévention des incendies.

- Rapport de distance à taille de point focal 50:1
- Plage de températures de -50 °C à 1550 °C (-58 °F à 2822 °F)
- Précision des mesures et temps de réponse rapide
- Pointeur laser, double affichage LCD rétroéclairé
- Maintien automatique de l'affichage et mémoire MAX/MIN
- Émissivité réglable pour la mesure de divers matériaux
- 99 emplacements mémoire et câble de téléchargement vers PC inclus

FONCTIONNEMENT DES THERMOMÈTRES

Les thermomètres infrarouges mesurent la température de surface d'un objet. L'optique du thermomètre détecte l'énergie émise, réfléchiée et transmise qui est collectée et focalisée sur un détecteur. L'électronique de l'appareil convertit le signal dans la lecture de température qui apparaît sur l'afficheur.

UTILISATION DU THERMOMÈTRE

Mesures de température

Le thermomètre se met sous tension lorsque vous appuyez sur la gâchette.

Le thermomètre se met hors tension lorsqu'aucune activité n'est détectée pendant 8 secondes.

Pour mesurer la température, pointez le thermomètre sur un objet et actionnez la gâchette. Vous pouvez utiliser le pointeur laser pour mieux viser avec le thermomètre. Actionnez et maintenez la gâchette pour mesurer la surface ciblée. Quand vous relâchez la gâchette, l'écran maintient l'affichage de la mesure pendant 8 secondes. Veillez à respecter la distance par rapport à la taille du point focal et le champ de visée. Le laser n'est utilisé que pour viser et n'a pas d'incidence sur la mesure de température.

Le thermomètre possède une fonction d'arrêt automatique qui met le thermomètre automatiquement hors tension après 8 secondes d'inactivité. Actionnez la gâchette pour mettre le thermomètre sous tension.



Positions du sélecteur rotatif

Bouton	Description
Bouton JAUNE	Appuyer sur le bouton JAUNE pour basculer entre les options MAX, MIN, DIF, AVG, HAL, LAL, DATA et T-C. Lorsque le thermomètre passe en mode de veille, appuyer sur MODE pour remettre le thermomètre de nouveau sous tension pour qu'il affiche la dernière mesure obtenue.
SET	Appuyer sur cette touche pour passer en mode de configuration, soit alternativement pour définir l'émissivité, verrouiller le déclenchement des mesures et sélectionner °C / °F. Les détails ci-dessous renvoient à la configuration de l'émissivité, au verrouillage du déclenchement des mesures et à la sélection °C / °F.
	Appuyer sur pour activer ou désactiver le rétroéclairage. Deux niveaux de rétroéclairage sélectionnables pour s'adapter aux différentes conditions d'éclairage.
	Appuyer sur pour allumer ou éteindre la lumière laser. Le symbole sur l'affichage indique que la lumière laser est allumée.
	Quand le thermomètre passe en mode de configuration (SET), appuyer sur ou sur pour sélectionner une option de configuration (émissivité, verrouillage du déclenchement des mesures et sélection °C / °F).
	Quand le thermomètre passe en mode HAL, LAL et DATA, appuyer sur ou sur pour sélectionner une option de configuration (émissivité, verrouillage du déclenchement des mesures et sélection °C / °F).

Laser

Attention

Pour éviter les blessures, ne pas pointer directement le laser en direction des yeux, ou indirectement vers des surfaces réfléchissantes.

Le thermomètre est équipé d'un laser, celui-ci ne doit être utilisé que pour viser. Le laser s'éteint quand la gâchette est relâchée.

Pour activer ou désactiver le laser :

1. Appuyez le bouton pour activer ou désactiver le laser. Un symbole apparaît sur l'affichage lorsque le laser est activé.

Configuration de l'émissivité

1. Appuyez sur le bouton SET pour sélectionner la configuration de l'émissivité, l'icône clignote sur l'affichage.
2. Appuyez sur la touche pour augmenter la valeur affichée par pas de 0,01. Maintenez enfoncé pour un réglage rapide. La valeur maximale est 1,00.
3. Appuyez sur la touche pour diminuer la valeur par pas de 0,01. Maintenez enfoncé pour un réglage rapide. La valeur par défaut est 0,01.
4. Appuyez sur le bouton MODE pour compléter le réglage et quitter la configuration de l'émissivité, ou sur le bouton SET pour compléter le réglage et procéder au verrouillage du déclenchement des mesures.

Remarque : L'émissivité par défaut est 0,95.

Tableau d'émissivité des surfaces


Surface de mesure	Réglage du commutateur
MÉTAUX	
Aluminium	
Oxydé	0,2 à 0,4
Alliage A3003	
Oxydé	0,3
Rugosifié	0,1 à 0,3
Laiton	
Lustré	0,3
Oxydé	0,5
Cuivre	
Oxydé	0,4 à 0,8
Bornier électrique	0,6
Haynes	
Alliage	0,3 à 0,8
Inconel	
Oxydé	0,7 à 0,95
Sablé	0,3 à 0,6
Électropoli	0,15
Fer	
Oxydé	0,5 à 0,9
Rouillé	0,5 à 0,7
Fonte	
Oxydé	0,6 à 0,95
Inoxydé	0,2
Fondu	0,2 à 0,3
Fer forgé	
Terne	0,9
Plomb	
Rugueux	0,4
Oxydé	0,2 à 0,6
Molybdène	
Oxydé	0,2 à 0,6
Nickel	
Oxydé	0,2 à 0,5
Platine	
Noir	0,9
Acier	
Laminé à froid	0,7 à 0,9
Meulé	0,4 à 0,6
Poli	0,1
Zinc	
Oxydé	0,1

Surface de mesure	Réglage du commutateur
NON-MÉTAUX	
Amiante	0,95
Asphalte	0,95
Basalte	0,7
Carbone	
Inoxydé	0,8 à 0,9
Graphite	0,7 à 0,8
Carborundum	0,9
Céramique	0,95
Argile	0,95
Béton	0,95
Tissu	0,95
Verre	
Tôle	0,85
Gravier	0,95
Gypse	0,8 à 0,95
Glace	0,98
Calcaire	0,98
Papier (toutes couleurs)	0,95
Plastique	
Opaque	0,95
Sols	0,9 à 0,98
Eau	0,93
Bois, (naturel)	0,9 à 0,95

Verrouillage du déclenchement des mesures

Le déclenchement du thermomètre peut être verrouillé pour obtenir une mesure continue.

Pour verrouiller le déclenchement :

1. Appuyez sur le bouton **SET** pour verrouiller le déclenchement des mesures, l'icône  clignote sur l'affichage.
2. Appuyez sur **▲** ou sur **▼** pour activer ou désactiver l'option.
3. Appuyez sur le bouton **JAUNE** pour compléter le réglage et quitter le verrouillage du déclenchement des mesures, ou sur le bouton **SET** pour compléter le réglage et passer à la sélection des degrés °C / °F.

Configuration °C / °F

1. Appuyez sur le bouton **SET** pour sélectionner la configuration des degrés °C ou °F, l'icône °C ou °F clignote sur l'affichage.
2. Appuyez sur **▲** ou sur **▼** pour sélectionner °C ou °F.
3. Appuyez sur le bouton **JAUNE** pour compléter le réglage et quitter la configuration des degrés °C ou °F.

MAX, MIN, DIF et AVG

Le thermomètre peut mesurer les températures maximale (MAX), minimale (MIN), différentielle (DIF) ou moyenne (AVG) à chaque lecture de l'appareil. Ces valeurs sont disponibles pour les mesures infrarouges.

1. Appuyez sur le bouton **JAUNE** jusqu'à l'apparition de **MIN**, **MAX**, **AVG** ou **DIF** sur l'afficheur.
2. Actionnez et maintenez la gâchette tout en visant la surface ciblée.
3. La valeur s'affiche sur la fenêtre secondaire.

Alarme haute (HAL) et alarme basse (LAL)

Le thermomètre possède une alarme programmable haute et basse pour désigner les seuils hauts ou bas de la gamme définie. Lorsque le niveau d'alarme est atteint, une alarme retentit. Cette fonctionnalité n'est pas disponible lors des mesures par thermocouple.

Pour configurer l'alarme haute ou basse :

1. Appuyez sur le bouton **JAUNE** pour sélectionner l'option **HAL** ou **LAL**.
2. Appuyez sur **▲** ou sur **▼** pour ajuster la valeur du seuil.
3. Appuyez sur le bouton **SET** pour compléter le réglage. Le symbole (**⊕HIGH** ou **LOW⊖**) apparaît sur l'affichage.

Pour éteindre l'alarme haute ou basse :

1. Appuyez sur le bouton **JAUNE** pour sélectionner l'option **HAL** ou **LAL**.
2. Appuyez sur le bouton **SET**. La disparition du symbole (**⊕HIGH** ou **LOW⊖**) de l'afficheur indique que l'alarme haute ou basse est éteinte.



Mémoire de stockage DATA

Le thermomètre possède une capacité de stockage de 99 points de données et les données mémorisées peuvent être téléchargées avec le logiciel IR-750 / IR-750-EUR. Pour enregistrer les données :

1. Appuyez sur le bouton **JAUNE** pour sélectionner l'option **DATA**.
2. Appuyez sur **▲** ou sur **▼** pour sélectionner le numéro d'enregistrement des données.
3. Tirez et maintenez la gâchette tout en visant la surface cible, appuyez sur le bouton **DONNÉES** pour enregistrer la valeur mesurée.

Pour effacer les données enregistrées, si le thermomètre est en mode veille (écran éteint), appuyez et maintenez le bouton « **DONNÉES** » et « **▼** » enfoncé tout en tirant la gâchette jusqu'à ce qu'un bip retentisse. Les enregistrements de données à l'écran affichent « --- », toutes les données enregistrées sont effacées.

Mesure du thermocouple de type K

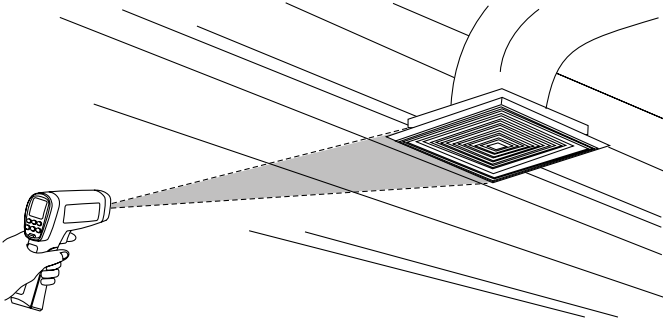
  *Pour éviter les chocs électriques ou les blessures corporelles, ne brancher pas la sonde thermocouple de contact à des circuits électriques sous tension.*

Le thermomètre est fourni avec une sonde thermocouple de type K à boule. Le thermocouple de type K est branché au thermomètre par le biais du connecteur d'entrée TC-K situé à droite du thermomètre. La sonde peut être utilisée simultanément pendant que le thermomètre relève des mesures sans contact.

1. Appuyez sur le bouton **JAUNE** pour passer en mode T-C. L'affichage affiche OL avant l'établissement de la mesure.
2. Branchez le thermocouple de type K au thermomètre par le biais du connecteur d'entrée TC-K situé à droite du thermomètre. Appuyez sur la gâchette pour lancer une mesure. La fenêtre secondaire affiche la mesure relevée.
3. Quand vous relâchez la gâchette, l'écran maintient l'affichage de la mesure pendant 8 secondes.

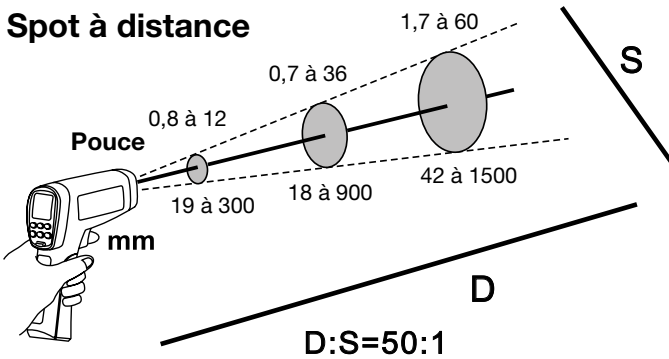
Localisation d'un point chaud ou froid

Pour identifier un point chaud ou froid, pointez le thermomètre en dehors de la zone ciblée. Balayez ensuite lentement la zone d'un mouvement de bas en haut jusqu'à ce que le point chaud ou froid soit localisé.



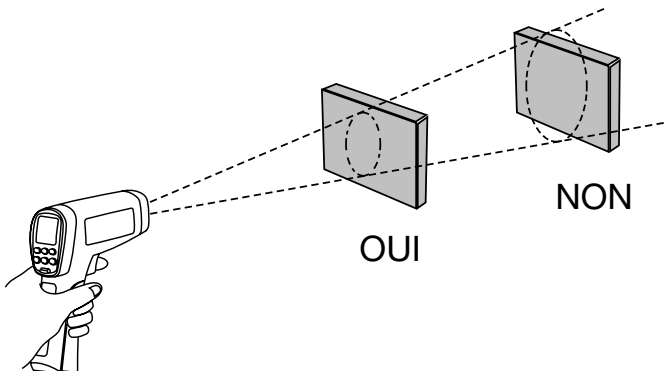
Distance et taille du point focal (spot)

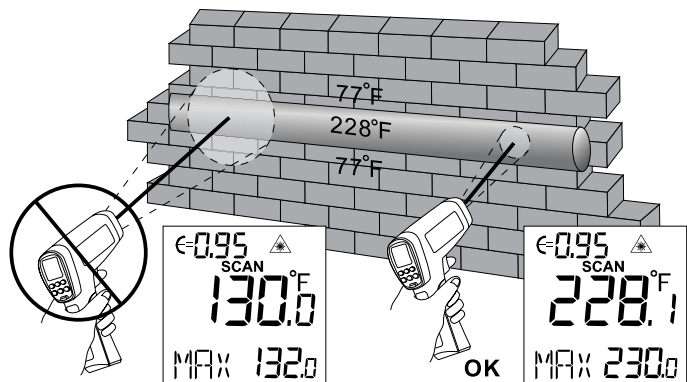
À mesure que la distance (D) de la cible mesurée augmente, la taille du point focal (S) de la zone mesurée par l'instrument grandit. La taille du point focal indique 90 % d'énergie circonscrite.



Champ de visée

Vérifiez que la cible est plus grande que la taille du point focal. Plus la cible est petite, plus il faut s'en rapprocher.





Émissivité

L'émissivité décrit les caractéristiques d'émission d'énergie des matériaux. La plupart des matériaux organiques et des surfaces peintes ou oxydées ont une émissivité de 0,95. Le cas échéant, pour compenser les lectures inexactes susceptibles de résulter des mesures de surfaces métalliques brillantes, couvrez la surface à mesurer de ruban opaque ou de peinture mate noire (< 150 °C / 302 °F) et utiliser le paramètre de haute émissivité. Laissez au ruban ou à la peinture le temps d'atteindre les mêmes températures que la surface sous-jacente. Mesurez la température du ruban ou de la surface peinte.

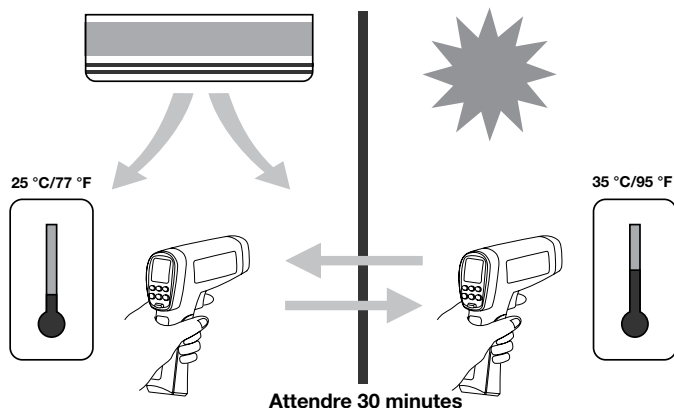
Si vous ne pouvez pas utiliser de peinture ou de ruban, vous pouvez améliorer la précision de vos mesures avec le sélecteur d'émissivité. Même avec le sélecteur d'émissivité, il est parfois difficile d'obtenir une lecture infrarouge absolument précise si la cible présente une surface brillante ou métallique.

Le thermomètre permet d'ajuster l'émissivité selon le type de surface mesurée.

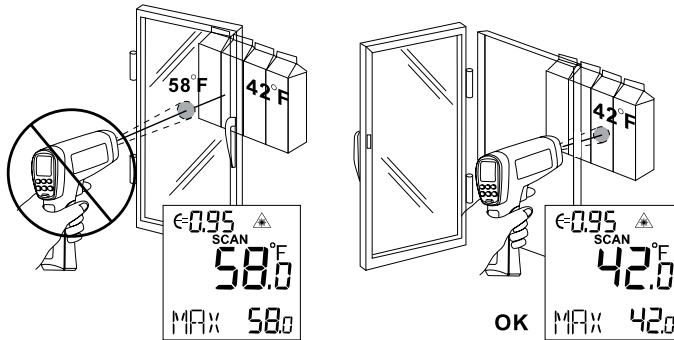
Reportez-vous au tableau d'émissivité des surfaces Mais il ne s'agit que d'un cas typique. Vous pouvez utiliser vos propres données et utiliser d'autres définitions pour vos matériaux.

Rappels

1. Les changements de la température ambiante environnante peuvent entraîner des mesures inexactes, laissez l'instrument s'adapter au changement de température ambiante avant de l'utiliser. La précision spécifiée s'applique après 30 minutes lorsque l'instrument passe dans un milieu ambiant différent.



2. L'instrument ne peut pas établir de mesures à travers des surfaces transparentes telles que le verre. Dans ce cas, il mesure en fait la température de surface du verre.



3. Reportez-vous au tableau d'émissivité des surfaces pour mesurer les surfaces métalliques brillantes ou polies (acier inoxydable, aluminium, etc.).
4. La vapeur, la poussière, la fumée, etc., peuvent perturber la précision des mesures en obstruant l'optique de l'instrument.

MESURES TYPIQUES

Cette section décrit une variété de mesures souvent effectuées par les techniciens.

Rappel :

- L'utilisateur peut décider de mettre sous tension ou hors tension le rétroéclairage et le laser en effectuant des mesures avec le thermomètre.
- Une émissivité relativement élevée renvoie normalement à une émissivité d'environ 0,95.
- Une émissivité relativement faible renvoie normalement à une émissivité d'environ 0,30.
- Lorsque l'utilisateur ne peut pas identifier l'émissivité de l'objet à mesurer, il peut couvrir la surface à mesurer (température > 150 °C) avec du ruban d'électricien noir (émissivité d'environ 0,95). Laissez le temps au ruban d'atteindre la même température que l'objet à mesurer. Mesurez et enregistrez la température du ruban.

Pointez le thermomètre vers l'objet à mesurer, ajustez le paramètre d'émissivité pour l'aligner sur la même température que le ruban. À ce stade, le paramètre d'émissivité du thermomètre est proche de l'émissivité de l'objet à mesurer; la mesure peut démarrer.

Tests des contacteurs (démarreurs)

1. Appuyez sur **SET** pour sélectionner l'émissivité. Appuyez sur ▲ / ▼ pour sélectionner une émissivité relativement faible pour les contacts brillants, ou un niveau intermédiaire de 0,7 pour les contacts sombres.
2. Appuyez sur le bouton **JAUNE** pour sélectionner **MAX**.
3. Mesurez la ligne et le côté charge d'un pôle sans relâcher la gâchette.
4. Une différence de température entre la ligne et le côté charge d'un pôle indique une résistance accrue d'un point et la défaillance probable d'un contacteur.

Test de relais sous coffret

1. Appuyez sur **SET** puis sur ▲ / ▼ pour définir une émissivité relativement faible pour les connecteurs non isolés, ou relativement haute pour les relais sous coffret en plastique ou en bakélite ou les connecteurs isolés.
2. Appuyez sur le bouton **JAUNE** pour sélectionner **MAX**.
3. Lancez l'analyse.
4. Mesurez le boîtier du relais en recherchant les points chauds.
5. Mesurez les connexions électriques aux bornes du relais en recherchant les points chauds.

Test des raccordements à fusibles et à barres omnibus

1. Appuyez sur **SET** puis sur ▲ / ▼ pour définir une émissivité relativement élevée pour un corps de fusible à revêtement papier ou des connexions isolées.
2. Appuyez sur le bouton **JAUNE** pour sélectionner **MAX**.
3. Balayez la partie recouverte de papier du fusible.
4. Balayez chaque fusible sans relâcher la gâchette. Des températures inégales entre les fusibles sont susceptibles d'indiquer un déséquilibre d'intensité ou de tension.
5. Appuyez sur **SET** puis sur ▲ / ▼ pour définir une émissivité relativement faible pour les capuchons et les fusibles métalliques et les connexions de barres omnibus non isolées.
6. Appuyez sur **MODE** pour sélectionner **MAX**.
7. Balayez chaque capuchon d'extrémité de chaque fusible.

Remarque : Des températures inégales ou une température élevée indiquent une connexion desserrée ou corrodée dans la pince à ressort de la barre omnibus à fusibles.

Test des branchements électriques

1. Appuyez sur **SET** puis sur ▲ / ▼ pour définir une émissivité relativement faible pour les connexions de barres omnibus ou les connecteurs non isolés, ou relativement haute pour les connexions isolées.

Remarque : Les conducteurs sont généralement plus petits que la taille du spot du thermomètre. Si la taille du spot est plus grande que celle du connecteur, la température mesurée est la moyenne à l'intérieur du spot.

2. Scrutez le conducteur, en déplaçant l'appareil en direction du connecteur électrique (connecteur rapide, serre-fil, connexion de barre omnibus, etc.).

Inspection des murs pour détecter les fuites d'air ou les défauts d'isolation

1. Mettez le chauffage, le refroidissement et la ventilation hors tension.
2. Appuyez sur **SET** pour sélectionner l'émissivité. Appuyez sur ▲ / ▼ pour sélectionner une émissivité relativement élevée pour des surfaces peintes ou les surfaces de fenêtres.
3. Appuyez sur **JAUNE** pour sélectionner **MIN** quand la paroi opposée du mur est de température inférieure et/ou sélectionner **MAX** quand la paroi opposée du mur est de température supérieure.
4. Mesurez une température de surface murale de partition intérieure.
5. Ne relâchez pas la gâchette. Enregistrez cette température de référence (point zéro) pour un mur « parfaitement » isolé.
6. Faites face au mur à examiner. Tenez-vous à 1,5 m pour balayer un spot de 4 cm sur le mur.
7. Balayez des bandes horizontales de mur de haut en bas, ou des rangées horizontales de plafond d'un mur à l'autre. Recherchez les plus grands écarts par rapport à la température de référence pour identifier les problèmes. Cela complète l'examen du test d'isolation.

Mettez le ventilateur en route (sans chaleur ni refroidissement) et répétez le test. Si les résultats du test avec le ventilateur activé sont différents des résultats avec le ventilateur éteint, cela signale probablement des fuites d'air dans l'enveloppe d'isolation des murs. Les fuites d'air sont liées à des fuites dans les conduits créant un différentiel de pression sur l'ensemble de l'enveloppe de l'espace climatisé.

Test de paliers de roulement

Avertissement

Pour éviter les blessures en testant les paliers :

1. *L'utilisateur ne doit pas porter de vêtements lâches, de bijoux ou tout autre élément autour du cou en travaillant à proximité de pièces mobiles telles que les moteurs, courroies et ventilateurs.*
2. *Vérifier qu'un interrupteur électrique est à portée de la main et qu'il fonctionne correctement et librement.*
3. *Ne pas travailler sans assistance.*

Remarque : Il vaut mieux comparer deux moteurs similaires utilisant des charges similaires.

1. Appuyez sur **SET**, puis sur ▲ / ▼ pour sélectionner une émissivité relativement élevée.
2. Appuyez sur **SELECT** pour sélectionner **MAX**.
3. Actionnez le moteur et laissez-le atteindre les températures de régime permanent.
4. Coupez le moteur si possible.
5. Mesurez les deux températures des paliers moteur.

6. Comparez les deux températures des paliers moteur. Des températures inégales ou une température élevée peuvent indiquer une anomalie de lubrification ou autre du palier résultant d'une friction excessive.
7. Répétez la séquence pour les paliers du ventilateur.

Test des courroies et des poulies

1. Appuyez sur **SET**, puis sur ▲ / ▼ pour sélectionner une émissivité relativement élevée.
2. Appuyez sur **SELECT** pour sélectionner **MAX**.
3. Actionnez le moteur et laissez-le atteindre les températures de régime permanent.
4. Pointez le thermomètre vers la surface à mesurer.
5. Lancez l'enregistrement de la température.
6. Déplacez lentement le thermomètre vers le haut de la courroie et la deuxième poulie.
 - Si la courroie est en train de glisser, la température de courroie sera élevée à cause de la friction.
 - Si la courroie glisse, la température de courroie restera élevée entre les poulies.
 - Si la courroie ne glisse pas, la température de courroie diminuera entre les poulies.
 - Si les surfaces intérieures des poulies ne sont pas véritablement en forme en « V », la courroie risque de glisser et le moteur continuera de fonctionner à des températures élevées tant que la poulie n'est pas remplacée.
 - Les poulies doivent être correctement alignées (y compris le « tangage et le roulis ») pour que la courroie et les poulies fonctionnent aux températures appropriées. Un règle rectifiée ou une ligne droite peut être utilisée pour vérifier les alignements.
 - La poulie du moteur doit fonctionner à une température cohérente avec les poulies de ventilateur.
 - Si la poulie du moteur est à une température plus élevée au niveau de l'arbre moteur que de la circonférence extérieure, la courroie n'est probablement pas en train de glisser.
 - Si la circonférence extérieure de la poulie a une température supérieure à celle de la poulie au niveau de l'arbre moteur, alors la courroie est probablement en train de glisser et les poulies sont sans doute incorrectement alignées.

Contrôle des applications de chauffage hydronique

1. Appuyez sur **SET**, puis sur / pour sélectionner une émissivité relativement élevée.
2. Appuyez sur le bouton **JAUNE** pour sélectionner **MAX**.
3. Pour localiser les tuyaux de chauffage radiant dans les planchers, élevez temporairement la température de la boucle pour créer des points plus chauds afin de repérer les longueurs de tuyaux.
4. Avant de relâcher la gâchette, appuyez sur **JAUNE** pour basculer entre les températures de plancher **MIN**, **MAX**, **DIF** et enregistrer la température pour de futures comparaisons et les tendances en conditions similaires.

Mesure des températures de sortie d'air de grille, de registre ou de diffuseur

1. Appuyez sur **SET**, puis sur ▲ / ▼ pour sélectionner une émissivité relativement élevée.
2. Pointez le thermomètre sur le diffuseur, le registre ou la grille de sortie d'air.
3. Mesurez la température de sortie.
4. Relâchez la gâchette pour figer la température pendant 8 secondes et enregistrez cette température.
5. La température de diffuseur, le registre ou la grille de sortie d'air doit être équivalente à la température de sortie du système de traitement d'air.

Contrôle des blocages dans les condensateurs ou l'évaporateur à circulation d'air

1. Retirez les panneaux pour accéder aux coudes ou bobines en U.
2. Appuyez sur **SET** puis sur ▲ / ▼ pour sélectionner une émissivité relativement élevée pour le tuyau en cuivre.
3. Lancez le système de réfrigération.
4. Pointez le thermomètre au niveau des coudes/bobines en U.
5. Lancez l'enregistrement de la température.
6. Prenez la température de chaque coudes/bobines en U.

- Tous les coudes/bobines en U de l'évaporateur doivent être à un niveau égal ou légèrement supérieur à la température de saturation de l'évaporateur sur le tableau de pressions/températures.
- Tous les coudes ou bobines en U de l'évaporateur doivent être à un niveau égal ou légèrement supérieur à la température de saturation de l'évaporateur du tableau de pression/température.
- Si un groupe de coudes/bobines en U n'est pas conforme aux températures attendues, cela signale la présence d'un tube de distribution ou d'un distributeur bloqué ou limité.

FONCTIONNEMENT DU LOGICIEL IR-750 / IR-750-EUR

Configuration nécessaire du système

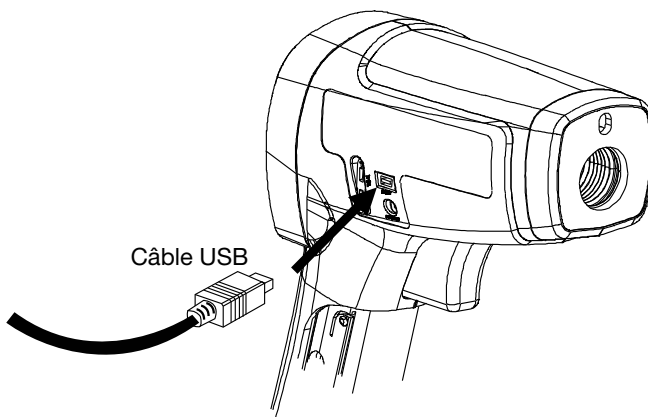
Configuration recommandée

Processeur	Pentium® 4 ou supérieur avec prise en charge de tous les systèmes d'exploitation traditionnels
Système d'exploitation	Microsoft Windows® 2000 / XP / Vista / Win7
Mémoire	512 Mo RAM ou supérieur
Moniteur	VGA (1024 x 768)
Lecteur	CD-ROM
Périphérique d'entrée	Souris ou compatible
Interface	USB pour la transmission des données

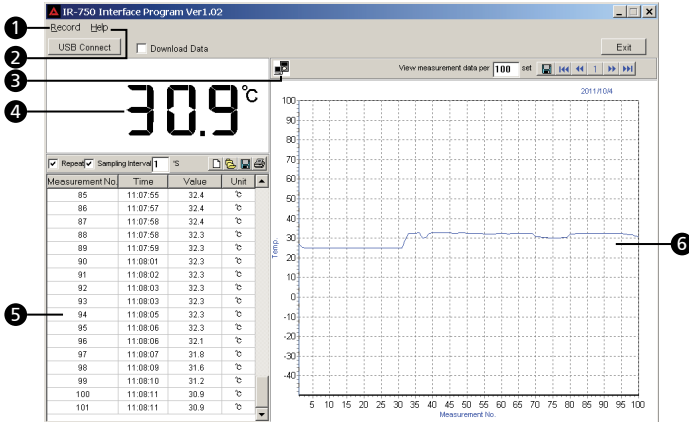
Installer le logiciel IR-750 / IR-750-EUR


- Introduisez le CD fourni dans le lecteur de CD-ROM.
- Cliquez deux fois sur « IR-750_VX.XX.exe » (pour indiquer la version du logiciel, X est compris entre 0 et 9 ou laissé vierge)
- Les fenêtres déroulantes vous guideront au fil des étapes de configuration du programme.

Connexion du câble USB au thermomètre IR-750 / IR-750-EUR




Écran principal



- 1 La commande **Record** permet de créer de nouvelles mesures, d'enregistrer des fichiers et de définir le nombre de mesures (1000, 5000, 10000, 50000, 100000 ou infini).
- 2 La commande **Help** permet d'afficher les instructions d'utilisation du logiciel.
- 3 Un  clignotant indique que l'IR-750 / IR-750-EUR est connecté au logiciel
- 4 Écran principal des mesures
- 5 Fenêtre secondaire des résultats de mesure
- 6 Résultats de mesure dans le graphe

Utilisation du programme

Le bouton **USB Connect** permet de connecter le thermomètre IR-750 / IR-750-EUR et de lancer la mesure. Cliquez sur « USB Connect » (Connexion USB),  clignote pour indiquer que le thermomètre IR-750 / IR-750-EUR est correctement connecté au PC et qu'il commence à relever automatiquement les mesures. La fenêtre principale affiche les températures de mesure actives, la fenêtre secondaire affiche tous les résultats de mesure.

Le **téléchargement des données** vous permet de télécharger les données enregistrées dans le thermomètre IR-750 / IR-750-EUR. Cochez « Download Data » (Télécharger les données) et cliquez sur « USB Connect », les données enregistrées seront automatiquement transférées vers le PC et s'afficheront dans la fenêtre secondaire.

Exit Pour quitter et fermer le programme

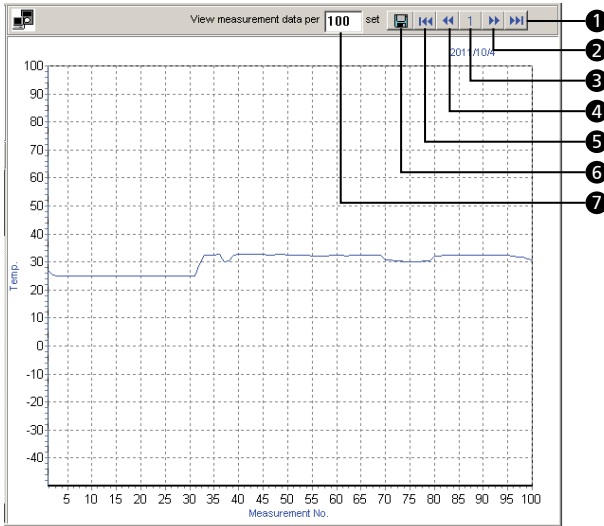
Measurement No.	Time	Value	Unit
1	11:06:32	27.1	°C
2	11:06:32	25.4	°C
3	11:06:33	25.1	°C
4	11:06:34	25.1	°C
5	11:06:36	25.1	°C
6	11:06:37	25.0	°C
7	11:06:38	25.0	°C
8	11:06:38	25.0	°C

- 1 Impression des données
- 2 Enregistrement des données (*.txt, *.xls, *.xml)
- 3 Ouverture des fichiers (*.txt, *.xls, *.xml)
- 4 Suppression des données actuelles et création de nouvelles données.

Repeat : Cochez cette case pour afficher chaque mesure à l'intervalle que vous avez défini. Supprimez la coche devant « Répéter », la fenêtre secondaire n'affichera que les résultats de mesure qui diffèrent de la dernière température mesurée. L'affichage graphique indiquera les résultats de mesure complets en format graphique malgré la présence ou l'absence d'une coche devant « Repeat » (Répéter).

Sampling Interval vous permet de définir les intervalles d'échantillonnage des mesures (1 à 9999 secondes).


Remarque : Un message d'avertissement avertit l'utilisateur et arrête les mesures quand les résultats de mesure atteignent 10000 ensembles sous Measurement No. (N° de mesure). Enregistrez ou effacez les résultats des mesures avant d'effectuer d'autres mesures.



- ① Dernière page
- ② Page suivante
- ③ Page active
- ④ Page précédente
- ⑤ Première page
- ⑥ Enregistre le graphique dans la page active sous la forme *.bmp
- ⑦ Définit les nombres de mesures sur l'affichage graphique

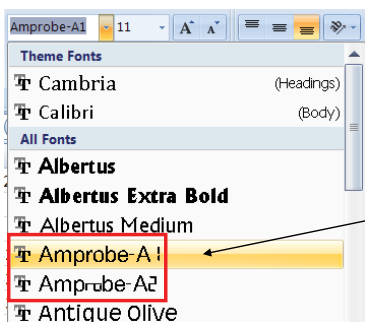
Rapport de test

Les données de test peuvent être enregistrées au format *.txt, *.xls, *.xml en

cliquant sur le bouton . En ouvrant le rapport des données, veillez à sélectionner le format de polices sous la forme Amprobe-A1 ou Amprobe-A2 dans la colonne « Unité » pour afficher l'unité de température correcte °C ou °F.

	A	B	C	D
1	Report created on: 2011/10/4			
2				
3	No	Time	Value	Unit
4	1	11:06:32	27.1	#
5	2	11:06:32	25.4	#
6	3	11:06:33	25.1	#
7	4	11:06:34	25.1	#
8	5	11:06:36	25.1	#
9	6	11:06:37	25	#
10	7	11:06:38	25	#
11	8	11:06:38	25	#

ou ? indique une sélection de polices incorrecte pour l'unité de température



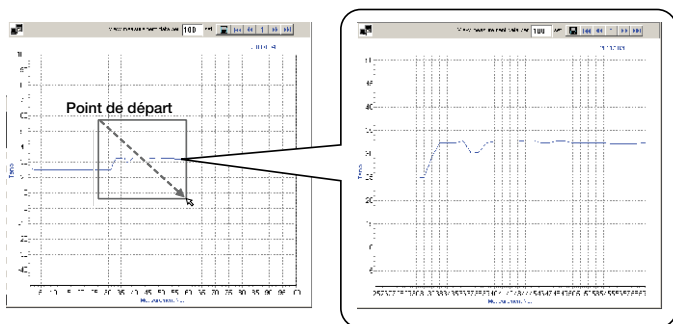
Sélectionner Amprobe-A1 ou Amprobe-A2 pour afficher l'unité de température correcte


	A	B	C	D
1	Report created on: 2011/10/4			
2				
3	No	Time	Value	Unit
4	1	11:06:32	27.1	°C
5	2	11:06:32	25.4	°C
6	3	11:06:33	25.1	°C
7	4	11:06:34	25.1	°C
8	5	11:06:36	25.1	°C
9	6	11:06:37	25	°C
10	7	11:06:38	25	°C
11	8	11:06:38	25	°C

Affichage correct de l'unité de température

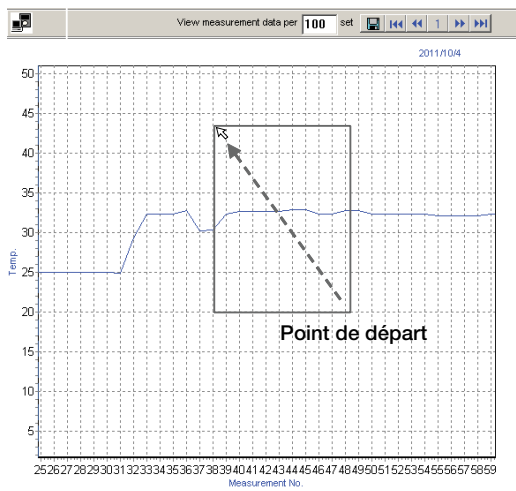
Zoom avant sur le graphique sélectionné

Pour agrandir une partie du graphique, utilisez le pointeur de la souris pour sélectionner la zone entre le point supérieur gauche et le point inférieur droit.



Vous pouvez utiliser le bouton  pour enregistrer le graphique agrandi sélectionné.

Pour revenir à l'écran complet initial, utilisez le pointeur de la souris pour sélectionner une zone du graphique du point inférieur droit au point supérieur gauche.



CARACTÉRISTIQUES

Fonctionnalité	IR-750 / IR-750-EUR
Plage de températures	-50 °C à 1550 °C (-58 °F à 2822 °F)
Précision (avec une température ambiante supposée de 23 °C à 25 °C (73 °F à 77 °F) en fonctionnement)	> 0 °C à 1550 °C (> 32 °F à 2822 °F) : ±1,8 % ou ±1,8 °C (±4 °F), selon la valeur la plus grande (Typique) -35 °C à 0 °C (-31 °F à 32 °F) : ±1,8 % ou +1 °C (2 °F), ou ±2,8 °C (±6 °F) selon la valeur la plus grande (Typique) -50 °C à -35 °C (-58 °F à -31 °F) : non spécifié (uniquement à titre de référence)
Fidélité des mesures	±0,5 % du résultat ou ±0,5 °C (±1 °F), selon la valeur la plus grande (Typique)
Résolution d'affichage	0,1°C / 0,1°F du résultat < 999,9 0,2 °C / 0,2 °F du résultat en dessous de 10 °C (50 °F) 1 °C / 1 °F du résultat > 999,9
Réponse spectrale	8 µm à 14 µm
Visée laser	Laser à un point
Puissance laser	Sortie > 1 mW Classe 2, longueur d'onde de 630 à 670 nm
Temps de réponse (95 %)	250 ms
Rapport de distance à taille de point focal (spot) (D:S)	50:1
Taille de spot minimum	19 mm
Émissivité	Réglage numérique de 0,10 à 1,00 par pas de 0,01 Émissivité prédéfinie à 0,95
Température ambiante de fonctionnement	0 à 50 °C (32 à 120 °F)
Humidité relative	0 % à 75 % sans condensation
Température de stockage	-20 °C à 65 °C / -4 °F à 150 °F (sans la pile)
Affichage des températures	°C ou °F sélectionnable
Maintien de l'affichage	8 s
Affichage MAX/MIN des températures	√

Affichage des températures DIF/AVG	✓
Liaison USB	✓
Stockage de données	99
Alarme haute et basse programmable	✓
Mesure de thermocouple de type K	✓
Double affichage LCD	✓
Rétroéclairage LCD	✓
Indication de pile faible	✓
Montage sur trépied	✓
Puissance	Pile alcaline 6F22 de 9 V ou adaptateur secteur Amprobe EPS-700-US (fiche américaine) ou EPS-700-EUR (fiche américaine)
Durée de vie des piles	10 heures avec le laser et le rétroéclairage actifs, 30 heures avec le laser et le rétroéclairage inactifs
Dimensions (H x l x L)	Environ 183 x 147 x 57 mm (7,2 x 5,8 x 2,3 pouces)
Poids	Environ 345 g (0,76 lb) avec la pile installée
Accessoire facultatif	Adaptateur secteur EPS-700-US (fiche américaine), EPS-700-EUR (fiche européenne)

ENTRETIEN

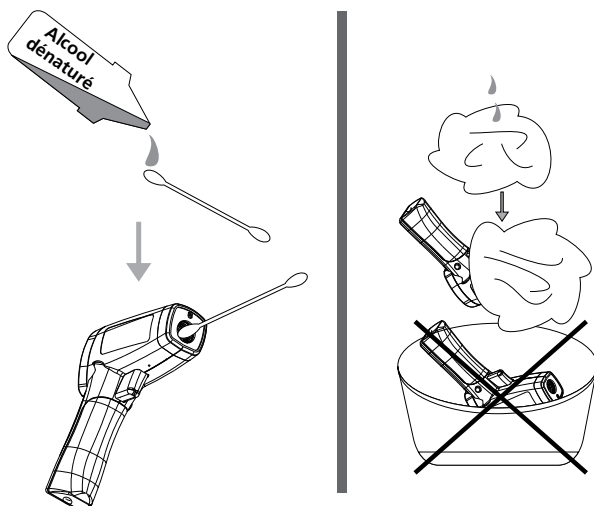
Nettoyage de l'objectif : Expulsez les impuretés en suspension avec de l'air comprimé sec et propre. Essayez doucement les débris restants à l'aide d'un pinceau d'aquarelle. Essayez soigneusement la surface avec un coton humide. Essayez soigneusement la surface avec un coton-tige humide ou imbibé d'alcool.

REMARQUE : NE PAS utiliser de solvants pour nettoyer la lentille en plastique.


Nettoyage du boîtier : Utilisez de l'eau savonneuse sur une éponge humide ou un chiffon doux.

⚠ Attention !

Ne pas plonger l'appareil dans l'eau.



DÉPANNAGE

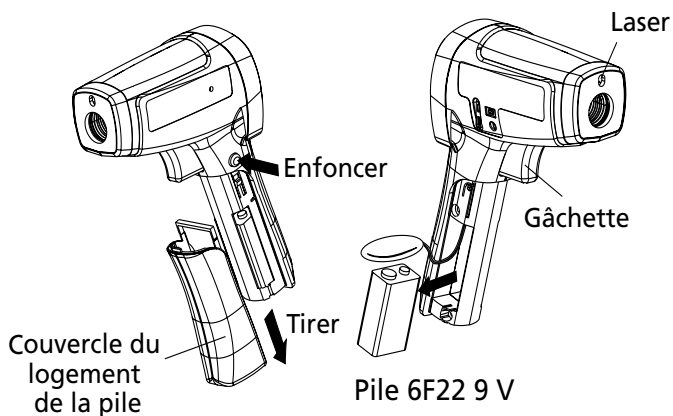
Code	Problème	Action
OL	La température cible est supérieure au seuil haut de la gamme	Sélectionner une valeur cible dans la gamme voulue
-OL	La température cible est inférieure au seuil bas de la gamme	Sélectionner une valeur cible dans la gamme voulue
Témoin de pile 	Pile faible	Vérifier et/ou remplacer la pile
Affichage vide	La pile est sans doute usée	Vérifier et/ou remplacer la pile
Le laser ne fonctionne pas	1. Pile faible ou épuisée 2. Température ambiante supérieure à 40 °C (104 °F)	1. Remplacer la pile 2. Utiliser dans une zone avec une température ambiante inférieure
L'avertisseur retentit en continu	Vérifier si l'alarme haute/basse a été définie ? Et si la valeur mesurée dépasse la limite ?	Redéfinir l'alarme haute/basse ou annuler la limite définie

CHANGEMENT DES PILES

Pour installer ou remplacer une pile de 9 V (voir ci-dessous) :

1. Enfoncez le bouton et tirez sur la poignée vers le bas pour ouvrir le capot de la pile.
2. Installez la pile en notant sa polarité.
3. Réinstallez la pile dans son compartiment.

Batterie : Pile alcaline 6F22 de 9 V ou équivalente





IR-750

IR-750-EUR

50:1 IR-Thermometer mit Speicher

Bedienungshandbuch

Deutsch

Beschränkte Gewährleistung und Haftungsbeschränkung

Es wird gewährleistet, dass dieses Amprobe-Produkt für die Dauer von einem Jahr ab dem Kaufdatum frei von Material- und Fertigungsdefekten ist, sofern örtliche Gesetze nichts anderes vorsehen. Diese Gewährleistung erstreckt sich nicht auf Sicherungen, Einwegbatterien oder Schäden durch Unfälle, Nachlässigkeit, Missbrauch, Änderungen oder abnormale Betriebsbedingungen bzw. unsachgemäße Handhabung. Die Verkaufsstellen sind nicht dazu berechtigt, diese Gewährleistung im Namen von Amprobe zu erweitern. Um während der Gewährleistungsperiode Serviceleistungen in Anspruch zu nehmen, das Produkt mit Kaufnachweis an ein autorisiertes Amprobe Test Tools Service-Center oder an einen Amprobe-Fachhändler/-Distributor einsenden. Nähere Einzelheiten siehe Abschnitt „Reparatur“. DIESE GEWÄHRLEISTUNG STELLT DEN EINZIGEN UND ALLEINIGEN RECHTSANSPRUCH AUF SCHADENERSATZ DAR. ALLE ANDEREN (VERTRAGLICH GEREGLTEN ODER GESETZLICH VORGESCHRIEBENEN) GEWÄHRLEISTUNGEN, EINSCHLIESSLICH DER GESETZLICHEN GEWÄHRLEISTUNG DER MARKTFÄHIGKEIT UND DER EIGNUNG FÜR EINEN BESTIMMTEN ZWECK, WERDEN ABGELEHNT. DER HERSTELLER ÜBERNIMMT KEINE HAFTUNG FÜR SPEZIELLE, INDIREKTE, NEBEN- ODER FOLGESCHÄDEN ODER FÜR VERLUSTE, DIE AUF BELIEBIGER URSACHE ODER RECHTSTHEORIE BERUHEN. Weil einige Staaten oder Länder den Ausschluss oder die Einschränkung einer implizierten Gewährleistung sowie den Ausschluss von Begleit- oder Folgeschäden nicht zulassen, ist diese Gewährleistungsbeschränkung möglicherweise für Sie nicht gültig.

Reparatur

Zu allen Geräten, die zur Reparatur oder Kalibrierung im Rahmen der Garantie oder außerhalb der Garantie eingeschickt werden, muss folgendes beigelegt werden: Name des Kunden, Firmenname, Adresse, Telefonnummer und Kaufbeleg. Zusätzlich bitte eine kurze Beschreibung des Problems oder der gewünschten Wartung sowie die Messleitungen dem Messgerät beilegen. Die Gebühren für außerhalb des Garantiezeitraums durchgeführte Reparaturen oder für den Ersatz von Instrumenten müssen per Scheck, Zahlungsanweisung oder Kreditkarte (Kreditkartennummer mit Ablaufdatum) beglichen werden oder es muss ein Auftrag auf Rechnung an Amprobe® Test Tools formuliert werden.

Garantiereparaturen oder -austausch – Alle Länder

Bitte die Garantieerklärung lesen und die Batterie prüfen, bevor Reparaturen angefordert werden. Während der Garantieperiode können alle defekten Geräte zum Umtausch gegen dasselbe oder ein ähnliches Produkt an den Amprobe® Test Tools-Distributor gesendet werden. Ein Verzeichnis der zuständigen Distributoren ist im Abschnitt „Where to Buy“ (Verkaufsstellen) auf der Website www.amprobe.com zu finden. Darüber hinaus können in den USA und in Kanada Geräte an ein Amprobe® Test Tools Service-Center (siehe Adresse unten) zur Reparatur oder zum Umtausch eingeschickt werden.

Reparaturen und Austausch außerhalb der Garantie – USA und Kanada

Für Reparaturen außerhalb des Garantiezeitraums in den Vereinigten Staaten und in Kanada werden die Geräte an ein Amprobe® Test Tools Service-Center gesendet. Auskunft über die derzeit geltenden Reparatur- und Austauschgebühren erhalten Sie von Amprobe® Test Tools oder der Verkaufsstelle.

In den USA:

Amprobe Test Tools
Everett, WA 98203
Tel.: 877-AMPROBE (267-7623)

In Kanada:

Amprobe Test Tools
Mississauga, ON L4Z 1X9
Tel.: 905-890-7600

Reparaturen und Austausch außerhalb der Garantie – Europa

Geräte mit abgelaufener Garantie können durch den zuständigen Amprobe® Test Tools-Distributor gegen eine Gebühr ersetzt werden. Ein Verzeichnis der zuständigen Distributoren ist im Abschnitt „Where to Buy“ (Verkaufsstellen) auf der Website www.amprobe.com zu finden.

Korrespondenzanschrift für Europa*

Amprobe® Test Tools Europe
Beha-Amprobe GmbH

In den Engematten 14
79286 Glottertal, Deutschland
Tel.: +49 (0) 7684 8009 - 0
www.amprobe.eu

*(Nur Korrespondenz – keine Reparaturen und kein Umtausch unter dieser Anschrift. Kunden in Europa sollten sich an den zuständigen Distributor wenden.)

INHALT

SYMBOLS 3

SICHERHEITSGEWEISSUNGEN 3

AUSPACKEN UND ÜBERPRÜFEN 4

MERKMALE 4

WIE DAS THERMOMETER FUNKTIONIERT 4

BETRIEB DES THERMOMETERS 4

 Temperaturmessung 4

 Auffinden eines Heiß- oder Kaltpunkts 8

 Abstand und Punktgröße 8

 Sichtfeld 8

 Emissivität 9

 Zur Beachtung 9

TYPISCHE MESSUNGEN 10

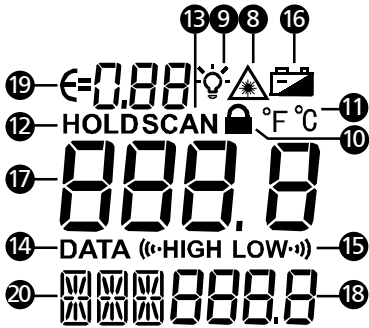
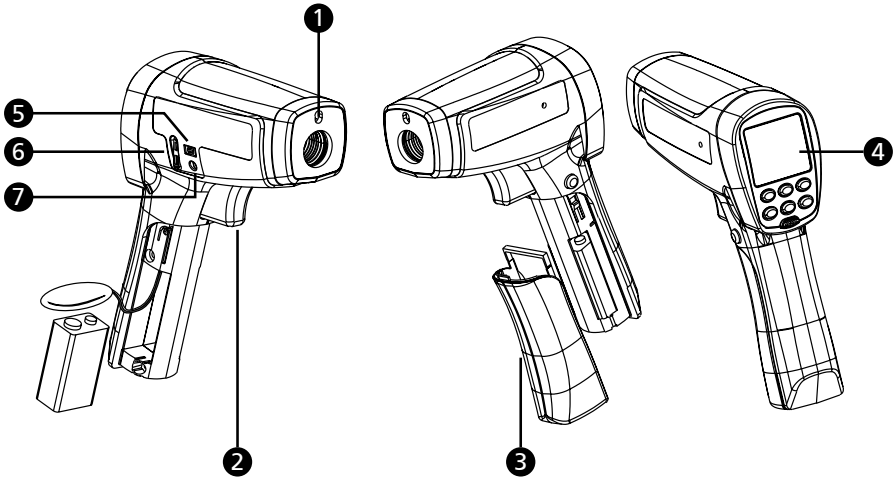
BETRIEB DER IR-750 / IR-750-EUR SOFTWARE 13

TECHNISCHE DATEN 17

WARTUNG 18





FEHLERBEHEBUNG 19

ERSETZEN DER BATTERIE 19



- 1 Laseröffnung
- 2 Auslöser
- 3 Batteriefachabdeckung
- 4 Anzeige
- 5 USB-Anschluss
- 6 Thermoelement-Typ-K-Anschluss
- 7 Stromadapteranschluss (für wahlfreies Zubehör)
- 8 Symbol „Laser-eingeschaltet“
- 9 Anzeigenhintergrundbeleuchtung
- 10 Messeinrastung (kontinuierliches Messen)
- 11 Temperatureinheit (Celsius / Fahrenheit)
- 12 8 Sekunden automatisches Festhalten der Anzeige
- 13 Messung durchführen (Auslöser ziehen)
- 14 Integrierter Speicher für bis zu 99 Punkte
- 15 Programmierbarer oberer und unterer Alarm
- 16 Anzeige für schwache Batterie
- 17 Primäre Anzeige
- 18 Sekundäre Anzeige
- 19 Emissivität (anpassbar von 0,10 bis 1,00)
- 20 MAX-, MIN-, DIF-, AVG-Temperaturwerte
HAL, LAL-Temperatureinstellung DATA
Datenpunktauswahl
T-C Thermoelement Typ K-Messung

SYMBOLE

	Vorsicht! Siehe Erklärung in diesem Handbuch.
	Warnung! Laserlicht. Nicht in den Laserstrahl blicken.
°C	Celsius.
°F	Fahrenheit.
	Batterieanzeige.
CE	Übereinstimmung mit EU-Richtlinien.
	Dieses Produkt nicht im unsortierten Kommunalabfall entsorgen. Ein qualifiziertes Recycling-Unternehmen kontaktieren.

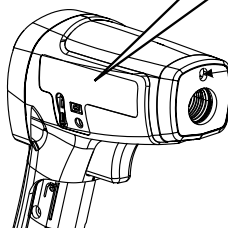
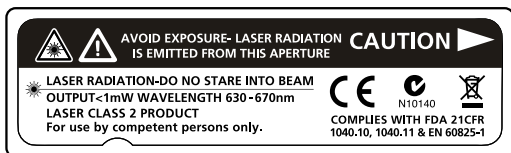
SICHERHEITSINFORMATIONEN

Das Messgerät stimmt überein mit:

EN 61010-1 Allgemeine Sicherheit

EN 60825-1 Lasersicherheit

EN 61326-1 Elektromagnetische Störaussendungen und Empfindlichkeit



Laseröffnung

Warnung

- Nicht in den Laserstrahl blicken.
- Laser nicht direkt auf Auge oder indirekt reflektierende Flächen richten.
- Ausschließlich für Gebrauch durch fachkundiges Personal.
- Die Batterien ersetzen, sobald die Anzeige für schwache Batterie eingeblendet wird.
- Die Funktionsfähigkeit des Messgeräts durch Messen einer bekannten Spannungsquelle prüfen. Das Thermometer nicht verwenden, wenn es Funktionsstörungen aufweist.
- Das Thermometer nicht in Umgebungen mit explosiven Gasen, Dampf oder Staub verwenden.
- Um Brandgefahr bzw. Feuer zu vermeiden, verstehen, dass reflektierende Objekte viel heißer sein können als der angezeigte Temperaturmesswert.
- Das Thermometer nicht auf oder in der Nähe von Objekten ablegen, die eine hohe Temperatur aufweisen.
- Wenn das Thermometer in einer nicht in diesem Handbuch beschriebenen Weise eingesetzt wird, kann es sein, dass der vom Thermometer gebotene Schutz beeinträchtigt wird oder dass gefährliche Laserstrahlenbelastung verursacht wird.

Vorsicht

Um Beschädigungen des Messgeräts zu vermeiden, folgende Vorkehrungen treffen:

- EMF (elektromagnetische Felder) von Bogenschweißgeräten oder Hochfrequenzheizgeräten
- Statische Elektrizität
- Wärmestoß vermeiden (verursacht durch große oder abrupte Umgebungstemperaturschwankungen – das Gerät vor Gebrauch 30 Minuten stabilisieren lassen)
- Das Thermometer nicht auf oder in der Nähe von Objekten ablegen, die eine hohe Temperatur aufweisen

AUSPACKEN UND ÜBERPRÜFEN

Der Verpackungskarton sollte Folgendes enthalten:

- 1 Thermometer (IR-750 / IR-750-EUR)
- 1 USB-Kabel
- 1 Typ K Thermoelementsonde
- 1 Tragetasche
- 1 Transportbehälter
- 1 9 V Batterie (installiert)
- 1 Bedienungshandbuch

Wenn einer dieser Artikel beschädigt ist oder fehlt, die gesamte Lieferung zwecks Ersatz an die Verkaufsstelle zurücksenden.

MERKMALE

Das Amprobe IR-750 / IR-750-EUR, ein leistungsstarkes Präzisions-Infrarotthermometer mit einem Verhältnis zwischen Abstand und Punktgröße von 50:1, bietet beispiellose Genauigkeit und Ansprechzeit mit einem Temperaturmessbereich von -50 °C bis 1550 °C bzw. -58 °F bis 2822 °F. Das IR-750 / IR-750-EUR ist ideal für anspruchsvolle Qualitäts- und Prozesskontrollanwendungen mit extrem hoher Genauigkeit und extrem großem Punktabstand ausgelegt. Das Amprobe IR-750 / IR-750-EUR verfügt zudem über 99 Datenpunkte, Thermoelementeingänge und USB-Download und ist für HVAC/R-, Elektrik-, industrielle Instandhaltungs-, Kfz- sowie Qualitätskontroll- und Brandverhütungs-Anwendungen ausgelegt.

- 50:1 Verhältnis Abstand zu Punktgröße
- Temp.-Bereich von -50 °C bis 1550 °C bzw. -58 °F bis 2822 °F
- Präzisionsgenauigkeit und schnelle Ansprechzeit
- Laserstrahl, LCD-Doppelanzeige mit Hintergrundbeleuchtung
- Automatisches Festhalten der Anzeige und MAX/MIN-Speicher
- Einstellbare Emissivität zum Messen einer Vielzahl von Stoffen
- 99 Speicherplätze und Kabel für PC-Download enthalten

WIE DAS THERMOMETER FUNKTIONIERT

Infrarotthermometer messen die Oberflächentemperatur eines Objekts. Die Optik des Thermometers nimmt emittierte, reflektierte und übertragene Energie war, die gesammelt und auf einen Detektor fokussiert wird. Die Elektronik des Geräts übersetzt das Signal in einen Temperaturmesswert, den das Gerät anzeigt.

BETRIEB DES THERMOMETERS

Temperaturmessung

Das Thermometer schaltet sich ein, wenn der Auslöser gedrückt wird.








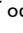



Das Thermometer schaltet sich aus, wenn 8 Sekunden lang keine Aktivität stattfindet.

Um Temperatur zu messen, das Thermometer gegen ein Objekt richten und den Auslöser ziehen. Der Laserstrahl des Thermometers kann als Zielhilfe verwendet werden. Zum Messen der Zieloberfläche den Auslöser ziehen und halten. Nach dem Loslassen des Auslösers hält die Anzeige den Messwert 8 Sekunden lang fest. Das Verhältnis zwischen Abstand und Punktgröße sowie das Sichtfeld berücksichtigen. Der Laser wird ausschließlich zum Zielen verwendet und hat für die Temperaturmessung keine Bedeutung.

Das Thermometer verfügt über eine automatische Ausschaltfunktion, die das Thermometer nach 8 Sekunden Inaktivität automatisch abschaltet. Um das Thermometer einzuschalten, den Auslöser ziehen.



Drehhalterpositionen


Taste	Beschreibung
GELBE Taste	Die GELBE Taste drücken, um zwischen den Optionen MAX, MIN, DIF, AVG, HAL, LAL, DATA und T-C umzuschalten. Wenn sich das Thermometer im Ruhemodus befindet, MODE drücken, um das Thermometer wieder einzuschalten; das Gerät zeigt das letzte Messergebnis an.
SET	Die Taste drücken, um die Einstellungen für Emissivität, Auslösereinrastung oder °C / °F zu durchlaufen. Für Details unter Emissivität, Auslösereinrastung bzw. °C / °F nachschlagen.
	Die Taste  drücken, um die Hintergrundbeleuchtung ein- bzw. auszuschalten. Zwei wählbare Pegel von Anzeigehintergrundbeleuchtung zur Anpassung an verschiedene Beleuchtungsbedingungen.
	 drücken, um das Laserlicht ein- bzw. auszuschalten. Das Symbol  auf der Anzeige zeigt an, dass das Laserlicht eingeschaltet ist.
 / 	Wenn sich das Thermometer im Einrichtungsmodus (SET) befindet, die Taste  oder  drücken, um eine Einrichtungsoption (Emissivität, Auslösereinrastung oder °C / °F) auszuwählen. Wenn sich das Thermometer im Modus HAL, LAL oder DATA befindet, die Taste  oder  drücken, um eine Einrichtungsoption (Emissivität, Auslösereinrastung oder °C / °F) auszuwählen.

Laser


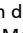


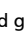
Vorsicht

Zur Vermeidung von Verletzungen Laser nicht direkt auf Auge oder indirekt reflektierende Flächen richten. Das Thermometer ist mit einem Laser ausgestattet, der ausschließlich zum Zielen auf das Objekt verwendet wird. Der Laser schaltet aus, wenn der Auslöser losgelassen wird.

Aktivieren bzw. Deaktivieren des Lasers:

1. Taste  drücken, um den Laser zu aktivieren bzw. zu deaktivieren. Das Symbol erscheint auf der Anzeige, wenn der Laser aktiviert ist.

Emissivität einrichten

1. Die Taste SET drücken, um die Emissivität einzurichten; das Symbol  blinkt auf der Anzeige.
2.  drücken, um den Wert um 0,01 zu erhöhen.  drücken und gedrückt halten, um schneller zu vermindern. Die Maximaleinstellung ist 1,00.
3.  drücken, um den Wert um 0,01 zu vermindern.  drücken und gedrückt halten, um schneller zu vermindern. Die Minimaleinstellung ist 0,01.
4. Die Taste MODE drücken, um die Einstellung abzuschließen und die Emissivitätseinrichtung zu beenden, oder die Taste SET drücken, um die Einstellung abzuschließen und mit der Einstellung „Auslösereinrastung“ fortzufahren.

Hinweis: Die Standard-Emissivität ist 0,95.

Tabelle Flächen-Emissivität


Messfläche	Schaltereinstellung
METALLE	
Aluminium	
Oxidiert	0,2-0,4
Legierung A3003	
Oxidiert	0,3
Geraut	0,1-0,3
Messing	
Poliert	0,3
Oxidiert	0,5
Kupfer	
Oxidiert	0,4-0,8
Elektrische Klemmleisten	0,6
Haynes	
Legierung	0,3-0,8
Inconel	
Oxidiert	0,7-0,95
Sandgestrahlt	0,3-0,6
Elektropoliert	0,15
Eisen	
Oxidiert	0,5-0,9
Korrodiert	0,5-0,7
Gusseisen	
Oxidiert	0,6-0,95
Nicht oxidiert	0,2
Schmelze	0,2-0,3
Schmiedeeisen	
Matt	0,9
Blei	
Rau	0,4
Oxidiert	0,2-0,6
Molybdän	
Oxidiert	0,2-0,6
Nickel	
Oxidiert	0,2-0,5
Platin	
Schwarz	0,9
Stahl	
Kaltgewalzt	0,7-0,9
Geschliffenes Blech	0,4-0,6
Poliertes Blech	0,1
Zink	
Oxidiert	0,1

Messfläche	Schaltereinstellung
NICHTMETALLE	
Asbest	0,95
Asphalt	0,95
Basalt	0,7
Kohle	
Nicht oxidiert	0,8-0,9
Graphit	0,7-0,8
Karborundum	0,9
Keramik	0,95
Lehm	0,95
Beton	0,95
Tuch	0,95
Glas	
Platte	0,85
Kies	0,95
Gips	0,8-0,95
Eis	0,98
Kalkstein	0,98
Papier (beliebige Farbe)	0,95
Kunststoff	
Undurchsichtig	0,95
Erde	0,9-0,98
Wasser	0,93
Holz (natürlich)	0,9-0,95

Auslöseereinrastung

Der Thermometerauslöser kann für kontinuierliches Messen eingerastet werden.

Einrasten des Auslösers:

1. Die Taste **SET** drücken, um die Auslöseereinrastung einzurichten; das Symbol  blinkt auf der Anzeige.
2. **▼** oder **▲** drücken, um ON (Ein) oder OFF (Aus) auszuwählen.
3. Die **GELBE** Taste drücken, um die Einstellung abzuschließen und die Auslöseereinrastung zu beenden, oder die Taste **SET** drücken, um die Einstellung abzuschließen und mit der Einstellung „°C / °F“ fortzufahren.

°C / °F-Einrichtung

1. Die Taste **SET** drücken, um °C / °F auszuwählen; das Symbol °C bzw. °F blinkt auf der Anzeige.
2. **▼** oder **▲** drücken, um °C bzw. °F auszuwählen.
3. Die **GELBE** Taste drücken, um die Einstellung abzuschließen und die °C / °F-Einrichtung zu beenden.

MAX, MIN, DIF, AVG

Das Thermometer kann bei jedem Messvorgang Maximaltemperatur (MAX), Minimaltemperatur (MIN), Differenztemperatur (DIF) oder Durchschnittstemperatur (AVG) messen. Diese Werte sind für Infrarotmessungen verfügbar.

1. Die **GELBE** Taste drücken, sodass **MIN** oder **MAX** oder **AVG** oder **DIF** auf der Anzeige erscheint.
2. Das Thermometer auf die Zielfläche richten und den Auslöser ziehen und halten.
3. Der Wert wird auf der sekundären Anzeige angezeigt.

Oberer Alarmgrenzwert (HAL) und unterer Alarmgrenzwert (LAL)

Das Thermometer verfügt über einen programmierbaren oberen und unteren Alarmgrenzwert, um aufgrund der eingegeben Schwellenwerte Überschreitungen bzw. Unterschreitungen zu bestimmen. Wenn der Alarmpegel erreicht wird, wird ein Alarm ausgegeben. Diese Funktion ist beim Messen mit einem Thermoelement nicht verfügbar.

Einstellen des oberen oder unteren Alarms:

1. Die **GELBE** Taste drücken, um die Option **HAL** oder **LAL** auszuwählen.
2. **▼** oder **▲** drücken, um den Schwellenwert einzustellen.
3. Die Taste **SET** drücken, um die Einstellung abzuschließen. Das Symbol (**⊖HIGH** oder **LOW⊕**) erscheint auf der Anzeige.

Ausschalten des oberen bzw. unteren Alarms:

1. Die **GELBE** Taste drücken, um die Option **HAL** oder **LAL** auszuwählen.
2. Die Taste **SET** drücken. Die Ausblendung des Symbols (**⊖HIGH** bzw. **LOW⊕**) auf der Anzeige zeigt an, dass der obere bzw. untere Alarm ausgeschaltet ist.

Datenspeicher (DATA)

Das Thermometer verfügt über Datenspeicher für 99 Punkte. Die gespeicherten Daten können über die IR-750 / IR-750-EUR Software heruntergeladen werden. Speichern der Daten:

1. Die **GELBE** Taste drücken, um die Option **DATA** auszuwählen.
2. **▼** bzw. **▲**, um die Datensatznummer auszuwählen.
3. Ziehen und halten Sie den Auslöser, während Sie das Gerät auf die Zielfläche richten; drücken Sie zum Speichern des Messwertes die **DATA**-Taste.

Wenn sich das Thermometer im Bereitschaftsmodus befindet (Bildschirm ist ausgeschaltet), können Sie die gespeicherten Daten löschen, indem Sie „**DATA**“ und „**▼**“ bei gezogenem Auslöser drücken und halten, bis ein Signalton erklingt. Die Datenaufzeichnung am Bildschirm zeigt „----“, alle gespeicherten Daten werden gelöscht.

Messen mit Thermoelement Typ K

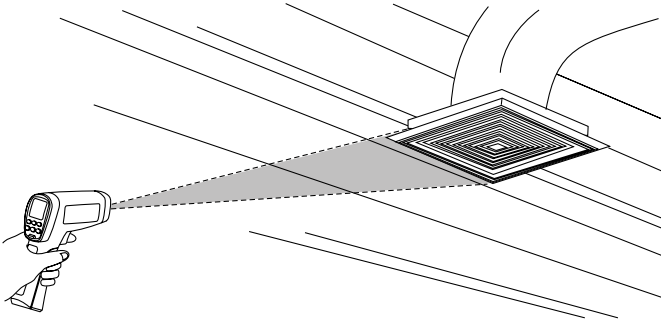
  *Zur Vermeidung von Stromschlag oder Verletzungen die Thermoelementkontaktsonde nicht an stromführende Schaltkreise anschließen.*

Zum Lieferumfang des Thermometers gehört eine Typ-K-Knopfthermoelementsonde. Das Typ-K-Thermoelement ist über den TC-K-Eingangsanschluss auf der rechten Seite an das Thermometer angeschlossen. Die Sonde kann verwendet werden, während das Thermometer kontaktlose Messungen durchführt.

1. Die **GELBE** Taste drücken, um den Modus T-C (Thermoelement) zu aktivieren. Die Anzeige zeigt OL an, bevor die Messung vorgenommen wird.
2. Das Typ-K-Thermoelement über den TC-K-Eingangsanschluss auf der rechten Seite an das Thermometer anschließen. Den Auslöser drücken, um eine Messung zu beginnen. Die sekundäre Anzeige zeigt den Messwert an.
3. Den Auslöser loslassen; der Messwert wird auf der Anzeige festgehalten (Display Hold: 8 Sekunden).

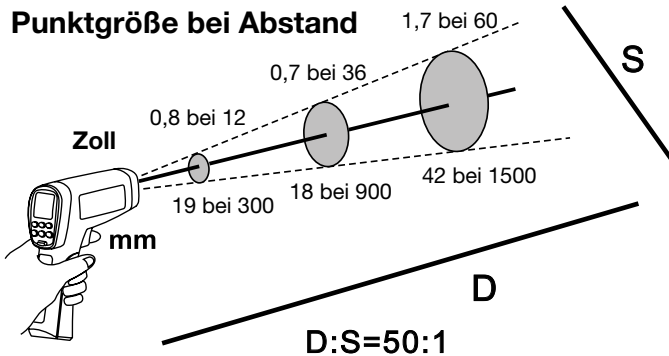
Auffinden eines Heiß- oder Kaltpunkts

Um einen Heiß- bzw. Kaltpunkt zu finden, den Laser auf eine Stelle außerhalb des Zielbereichs richten. Dann mit einer Auf- und Ab-Bewegung langsam über den Bereich scannen, bis der Heiß- bzw. Kaltpunkt gefunden ist.



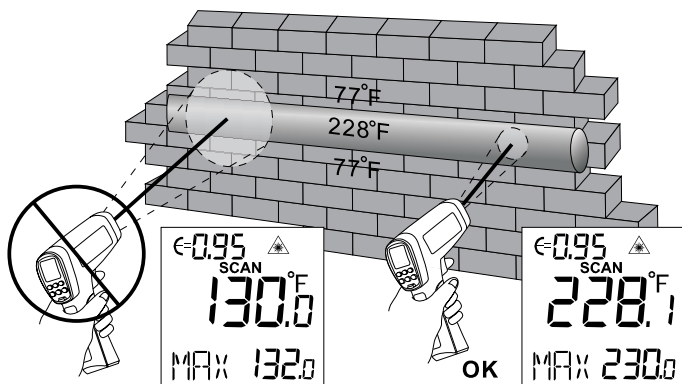
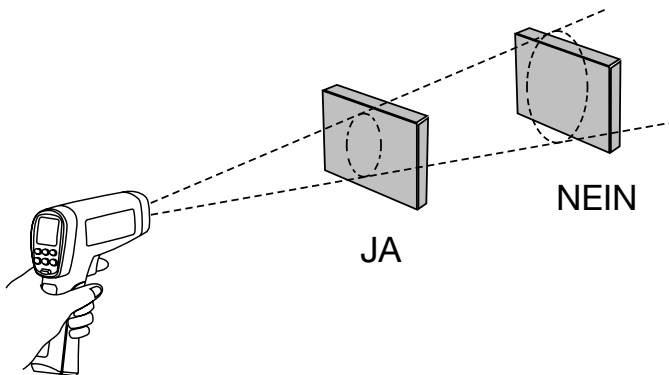
Abstand und Punktgröße

Die Punktgröße (S) des gemessenen Bereichs wird mit zunehmendem Abstand (D) des Messgeräts vom gemessenen Ziel größer. Die Punktgröße gibt 90 % umfassender Energie an.



Sichtfeld

Sicherstellen, dass das Ziel größer ist als die Punktgröße. Je kleiner das Ziel ist, desto näher soll das Gerät gehalten werden.



Emissivität

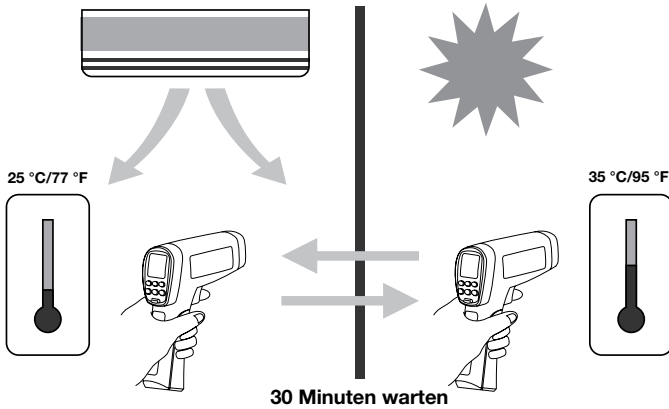
Emissivität beschreibt die Energie emittierenden Eigenschaften von Stoffen. Die meisten organischen Stoffe und angemalten oder oxidierten Flächen weisen einen Emissionswert von ungefähr 0,95 auf. Zur Kompensation von ungenauen Messwerten, die beim Messen von glänzenden Metallflächen auftreten können, die zu messende Fläche, wenn möglich, mit Abdeckband oder matter schwarzer Farbe bedecken ($< 150\text{ }^{\circ}\text{C} / 302\text{ }^{\circ}\text{F}$) und die hohe Emissivitätseinstellung verwenden. Zeit einräumen, sodass das Abdeckband bzw. die schwarze Farbe die gleiche Temperatur wie die darunterliegende Fläche annimmt. Die Temperatur des Bandes/der angemalten Fläche zu messen.

Wenn weder Abdeckband noch Farbe eingesetzt werden kann, kann die Genauigkeit von Messungen mit der Emissivitäts-Auswahl verbessert werden. Es kann selbst mit Emissivitäts-Auswahl schwierig sein, eine genaue Infrarotmessung einer glänzenden oder metallischen Fläche zu erzielen.

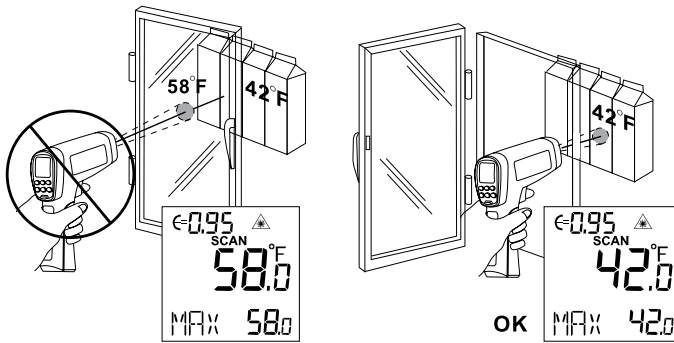
Das Thermometer ermöglicht Anpassung der Emissivität je nach Art der zu messenden Fläche. Siehe Tabelle Flächen-Emissivität. Es handelt sich jedoch lediglich um einen typischen Fall. Stoffe können auf eigene Fälle gestützt werden und unterschiedliche Werte haben.

Zur Beachtung

1. Schwankungen in der Umgebungstemperatur können zu ungenauen Ergebnissen führen; vor Gebrauch warten, damit sich das Messgerät an die Umgebungstemperatur anpassen kann. Die spezifizierte Genauigkeit gilt nach 30 Minuten, wenn das Messgerät in eine andere Umgebung eingebracht wird.



2. Das Messgerät kann nicht durch transparente Flächen (z. B. Glas) hindurch messen. Das Gerät misst stattdessen die Oberflächentemperatur des Glasobjekts.



3. Für Gebrauch zum Messen von glänzenden oder polierten Metallflächen (Edelstahl, Aluminium usw.) siehe Tabelle Flächen-Emissivität.
4. Dampf, Staub, Rauch usw. können genaue Messungen verhindern, da sie u. U. die Optik des Messgeräts beeinträchtigen.

TYPISCHE MESSUNGEN

Dieser Abschnitt beschreibt eine Reihe von Messungen, die von Technikern häufig durchgeführt werden.

Zur Beachtung:

- Die Hintergrundbeleuchtung und der Laser können beim Messen mit dem Thermometer stets ein- oder ausgeschaltet werden.
- Relativ hohe Emissivität bedeutet eine Emissivitäts-Einstellung von ca. 0,95.
- Relativ niedrige Emissivität bedeutet eine Emissivitäts-Einstellung von ca. 0,30.
- Wenn die Emissivität des zu messenden Objekts nicht bestimmt werden kann, kann die zu messende Oberfläche (Temperatur > 150 °C) mit schwarzem Isolierband (Emissivität ca. 0,95) abgedeckt werden. Zeit einräumen, sodass das Band die gleiche Temperatur wie der Stoff darunter annehmen kann. Die Temperatur des Bandes messen und aufzeichnen.

Das Thermometer auf das zumessende Objekt richten, die Emissivitäts-Einstellung anpassen, um die gleiche Temperatur wie das Band festzulegen. Die Emissivitäts-Einstellung des Thermometers ist zu diesem Zeitpunkt nahe bei der Emissivität des zu messenden Objekts und Messungen können begonnen werden.

Testen von Schaltern (Starter)

1. **SET** drücken, um Emissivität auszuwählen. ▼ / ▲ drücken, um relativ niedrige Emissivität für helle Kontakte bzw. 0,7 Mittelwert für dunklere Kontakte auszuwählen.
2. Die **GELBE** Taste drücken, um **MAX** auszuwählen.
3. Leitungs- und lastseitig von einem Pol messen, ohne den Auslöser loszulassen.
4. Eine Temperaturdifferenz zwischen Leitungs- und Lastseite eines Pols zeigen erhöhten Widerstand eines Punkts an und es kann sein, dass ein Schalter nachlässt/fehlschlägt.

Testen gekapselter Relais

1. **SET** drücken und dann ▼ / ▲ drücken, um die Emissivität relativ niedrig einzustellen für unisolierte Steckverbinder, oder relativ hoch für kunststoffummantelte Relais oder für bakelitummantelte Relais oder isolierte Steckverbinder.
2. Die **GELBE** Taste drücken, um **MAX** auszuwählen.
3. Scan beginnen.
4. Das Relaisgehäuse messen und auf Heißpunkte achten.
5. Elektrische Verbindungen an Relaisanschlüssen messen und auf Heißpunkte achten.

Testen von Sicherungen und Busanschlüssen

1. **SET** drücken und dann ▼ / ▲ drücken, um die Emissivität relativ hoch einzustellen für papierbedeckte Sicherungskörper oder unisolierte Anschlüsse.
2. Die **GELBE** Taste drücken, um **MAX** auszuwählen.
3. Die papierbedeckte Länge der Sicherung scannen.
4. Ohne den Auslöser loszulassen, die einzelnen Sicherungen scannen. Ungleiche Temperaturen zwischen Sicherungen können Spannungs- oder Stromstärke-Ungleichgewicht anzeigen.
5. **SET** drücken und dann ▼ / ▲ drücken, um die Emissivität relativ niedrig einzustellen für Metallsicherungen, Kappen und isolierte Busanschlüsse.
6. **MODE** drücken, um **MAX** auszuwählen.
7. Die Endkappen der einzelnen Sicherungen scannen.

Hinweis: Ungleiche Temperaturen oder eine hohe Temperatur zeigen eine lose oder korrodierte Verbindung durch die Sicherungsbus-Federklemme an.

Testen elektrischer Verbindungen

1. **SET** drücken und dann ▼ / ▲ drücken, um die Emissivität relativ niedrig einzustellen für unisolierte Anschlüsse oder Busanschlüsse, oder relativ hoch für isolierte Anschlüsse.
Hinweis: Leiter sind normalerweise kleiner als die Punktgröße des Thermometers. Wenn die Punktgröße größer ist als der Anschluss, repräsentiert der Messwert den Mittelwert innerhalb des Punkts.
2. Den Leiter scannen und das Thermometer gegen den elektrischen Anschluss (Schnellanschluss, Schraubdrahtverbinder, Busanschluss usw.) bewegen.

Scannen von Wänden nach Luftverlust oder Isolationsmängeln

1. Heizung, Kühlung und Gebläse ausschalten.
2. **SET** drücken, um Emissivität auszuwählen. ▼ / ▲ drücken, um die Emissivität relativ hoch auszuwählen für angestrichene Flächen oder Fensterflächen.
3. Die **GELBE** Taste drücken, um **MIN** auszuwählen, wenn die gegenüberliegende Seite der Wand eine niedrigere Temperatur aufweist, bzw. **MAX** auswählen, wenn die gegenüberliegende Seite der Wand eine höhere Temperatur aufweist.
4. Eine inwendige Oberflächentemperatur messen.
5. Den Auslöser nicht loslassen. Diese Temperatur als Baseline (oder Richtwert) für eine „perfekt“ isolierte Wand verwenden.
6. Der scannenden Wand gegenübertreten. 1,5 m vor der Wand stehen und einen 4-cm-Punkt Wand scannen.
7. Von oben nach unten horizontale Zeilen der Wand scannen, oder von Seite zu Seite vertikale Spalten. Nach den größten Abweichungen von der Baseline-Temperatur Ausschau halten, um Probleme zu identifizieren. Dies schließt den Isolationstest-Scan ab.

Das Gebläse einschalten (ohne Heizung oder Kühlung) und erneut testen. Wenn sich die Testergebnisse mit eingeschaltetem Gebläse von den Ergebnissen mit ausgeschaltetem Gebläse unterscheiden, weist dies u. U. auf Luftverlust in klimatisierten Mantelwänden hin. Der Luftverlust wird durch Kanallecks verursacht, die einen Druckunterschied über den klimatisierten Raum erzeugen.

Testen von Lagern

Warnung Vermeiden von Verletzungen beim Testen von Lagern:

1. Bei Arbeiten im Bereich von sich bewegenden Teilen, z. B. Motoren, Riemen, Gebläse und Lüfter, keine lose Kleidung, keinen Schmuck bzw. nichts um den Nacken tragen.
2. Sicherstellen, dass sich ein korrekt und frei funktionierender elektrischer Trennschalter in Reichweite befindet.
3. Nicht allein arbeiten.

Hinweis: Idealerweise sollten zwei ähnliche Motoren mit Ähnlichen Lasten verglichen werden.

1. SET drücken und dann ▼ / ▲ drücken, um eine relativ hohe Emissivität auszuwählen.
2. SELECT drücken, um MAX auszuwählen.
3. Motor aktivieren und Zeit für eingeschwungene Betriebstemperaturen gewähren.
4. Wenn möglich, den Motor deaktivieren.
5. Die zwei Motorlagertemperaturen messen.
6. Die zwei Motorlagertemperaturen vergleichen. Ungleiche Temperaturen oder eine hohe Temperatur zeigen u. U. ein Schmierproblem oder ein anderes Lagerproblem an, das durch übermäßige Reibung verursacht wird.
7. Die Sequenz für die Gebäselager wiederholen.

Testen von Riemen und Rollen

1. SET drücken und dann ▼ / ▲ drücken, um eine relativ hohe Emissivität auszuwählen.
2. SELECT drücken, um MAX auszuwählen.
3. Motor aktivieren und Zeit für eingeschwungene Betriebstemperaturen gewähren.
4. Das Thermoelement auf die zu messende Fläche richten.
5. Beginnen, die Temperatur zu messen und aufzuzeichnen.
6. Das Thermometer langsam dem Riemen entlang nach oben gegen die zweite Rolle bewegen.
 - Wenn der Riemen rutscht, ist die Rollentemperatur aufgrund der Reibung hoch.
 - Wenn der Riemen rutscht, bleibt die Riementemperatur zwischen Rollen hoch.
 - Wenn der Riemen nicht rutscht, verringert sich die Riementemperatur zwischen Rollen.
 - Wenn die Innenflächen von Rollen nicht einwandfrei V-förmig sind, zeigt dies Riemenschlupf an, der fortgesetzt erhöhte Betriebstemperaturen bewirkt, bis die Rollen ausgewechselt werden.
 - Für Riemen- und Rollenbetrieb bei angemessenen Temperaturen müssen Rollen korrekt ausgerichtet sein (einschließlich Kipp- und Gierwinkel). Ausrichtungen können mit einem Haarlineal oder einer Spannschnur geprüft werden.
 - Motorrolle sollte eine Betriebstemperatur aufweisen, die mit den Gebläserollen im Einklang stehen.
 - Wenn die Motorrolle an der Motorwelle eine höhere Temperatur aufweist als außen, rutscht der Riemen wahrscheinlich nicht.
 - Wenn die Temperatur außen an der Rolle höher ist als die Rolle an der Motorwelle, dann rutscht der Riemen wahrscheinlich und die Rollen sind u. U. falsch ausgerichtet.

Prüfen von Anwendungen mit Warmwasserstrahlungswärme

1. SET drücken und dann / drücken, um eine relativ hohe Emissivität auszuwählen.
2. Die GELBE Taste drücken, um MAX auszuwählen.
3. Um Strahlungswärmeleitungen im Boden zu finden, die Schleifentemperatur vorübergehend erhöhen, um heißere Stellen zur Identifizierung der Leitungen zu bewirken.
4. Vor dem Loslassen des Auslösers die GELBE Taste drücken, um zwischen MIN-, MAX- und DIF-Bodentemperaturen umzuschalten und die Temperatur für Vergleiche und Trends unter ähnlichen Bedingungen aufzuzeichnen.

Messen von Temperatur am Gitter-, Schieber- bzw. Diffuserauslass

1. SET drücken und dann ▼ / ▲ drücken, um eine relativ hohe Emissivität auszuwählen.
2. Das Thermometer auf den Gitter-, Schieber- bzw. Diffuserauslass richten.
3. Die Auslasstemperatur messen.
4. Den Auslöser loslassen, um den Temperaturmesswert 8 Sekunden lang festzuhalten und den Messwert aufzuzeichnen.
5. Die Gitter-, Schieber- bzw. Diffuserauslass-Temperatur sollte der Auslasstemperatur am Luftgerät entsprechen.

Prüfen auf Blockierung Luft-Luft-Verdampfern oder -Kondensatoren

1. Abdeckungen abnehmen, um Zugang zu Schlangenumkehrbogen bzw. -krümmern zu ermöglichen.
2. SET drücken und dann ▼ / ▲ drücken, um eine relativ hohe Emissivität auszuwählen für Kupferrohr.
3. Die Kühlanlage starten.
4. Das Thermometer auf die Schlangenumkehrbogen bzw. -krümmer richten.
5. Beginnen, die Temperatur zu messen und aufzuzeichnen.
6. Die Temperatur an jedem Umkehrbogen/Krümmer messen.
 - Alle Verdampfer-Umkehrbogen bzw. -Krümmer sollten der Verdampfersättigungstemperatur gemäß Druck-/Temperaturdiagramm entsprechen oder leicht darüber liegen.
 - Alle Kondensator-Umkehrbogen bzw. -Krümmer sollten der Kondensatorsättigungstemperatur entsprechen oder leicht darunter liegen.
 - Wenn eine Gruppe von Umkehrbogen bzw. Krümmern nicht den erwarteten Temperaturen entsprechen, zeigt dies einen Verteiler bzw. ein Verteilerrohr mit Blockierung oder Einschränkung an.

BETRIEB DER IR-750 / IR-750-EUR SOFTWARE

Systemanforderungen

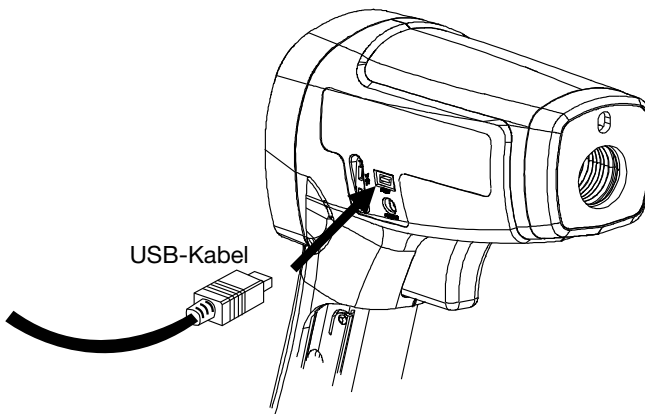
Empfohlene Konfiguration:

Prozessor	Pentium® 4 oder höher mit Unterstützung aller üblichen Betriebssysteme
Betriebssystem	Microsoft Windows® 2000 / XP / Vista / Win7
Speicher	512 MB RAM oder mehr
Bildschirm	VGA (1024 x 768)
Laufwerk	CD-ROM
Eingabegerät	Maus oder kompatibel
Schnittstelle	USB für Datenübertragung

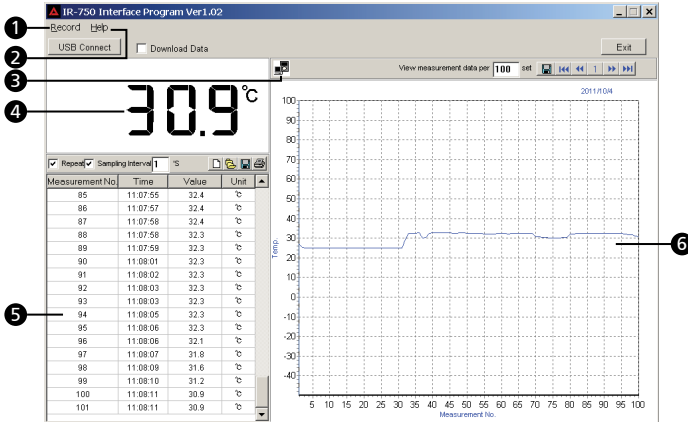
Installieren der IR-750 / IR-750-EUR Software

- Die gelieferte CD in das CD-ROM-Laufwerk einlegen.
- Auf „IR-750_VX.XX.exe“ doppelklicken (X kann 0 bis 9 oder leer sein und bezeichnet die Softwareversion).
- Die Popup-Fenster führen den Benutzer durch den Programmeinrichtungsprozess.

Anschließen des USB-Kabels an das IR-750 / IR-750-EUR Thermometer



Hauptbildschirm



- 1 **Record** Befehl ermöglicht neue Daten, Datei speichern und Festlegen der Anzahl Messungen (1000, 5000, 10000, 50000, 100000 oder unbegrenzt).
- 2 **Help** Befehl bietet Zugriff auf Software-Betriebsanweisungen.
- 3 Blinken zeigt an, dass das IR-750 / IR-750-EUR mit der Software verbunden ist.
- 4 Hauptanzeigebildschirm für Messungen.
- 5 Sekundärer Anzeigebildschirm für Messdaten.
- 6 Messdaten in Diagramm.

Verwendung des Programms

USB Connect Schaltfläche ermöglicht Verbindung mit IR-750 / IR-750-EUR Thermometer und Beginn von Messungen. Auf „USB Connect“ (USB verbinden) klicken. blinkt und zeigt an, dass das IR-750 / IR-750-EUR Thermometer mit dem PC verbunden ist; das IR-750 / IR-750-EUR Thermometer beginnt automatisch, Messungen vorzunehmen. Der primäre Anzeigebildschirm zeigt die aktuellen Messtemperaturen an; der sekundäre Anzeigebildschirm zeigt alle Messdaten an.

„**Download Data**“ (Daten herunterladen) ermöglicht Download der im IR-750 / IR-750-EUR Thermometer gespeicherten Daten. Häkchen in „Download Data“ und „USB Connect“ setzen; die gespeicherten Daten werden automatisch auf den PC heruntergeladen und auf der sekundären Anzeige angezeigt.

Exit Das Programm beenden und schließen

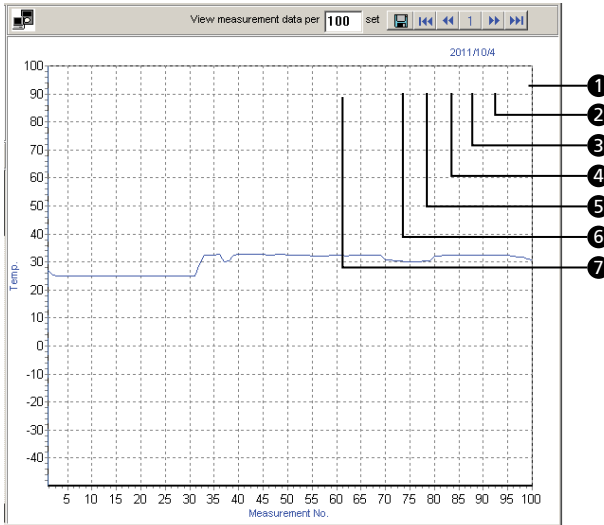
Measurement No.	Time	Value	Unit
1	11:06:32	27.1	°C
2	11:06:32	25.4	°C
3	11:06:33	25.1	°C
4	11:06:34	25.1	°C
5	11:06:36	25.1	°C
6	11:06:37	25.0	°C
7	11:06:38	25.0	°C
8	11:06:38	25.0	°C

- 1 Daten drucken
- 2 Daten speichern (*.txt, *.xls, *.xml)
- 3 Dateien öffnen (*.txt, *.xls, *.xml)
- 4 Aktuelle Daten löschen und neue Daten erstellen.

Repeat (Wiederholung): Häkchen setzen, um alle Messungen im festgelegten Intervall anzuzeigen. Häkchen aus „Repetiert“ entfernen; der sekundäre Anzeigebildschirm zeigt nur Messergebnisse an, die sich von der zuletzt gemessenen Temperatur unterscheiden. Die Diagrammanzeige stellt die vollständigen Messergebnisse grafisch dar, egal ob das Häkchen „Repeat“ gesetzt oder entfernt ist.

Probenintervall ermöglicht Einstellen des Probenintervalls für Messungen (1 bis 9999 Sekunden).

Hinweis: wenn 10000 Messdatensätze (Messungsnummer) erreicht werden, wird eine Warnmeldung eingeblendet und die Messfunktion wird gestoppt. Vor weiteren Messungen die Messdaten ggf. speichern und löschen.



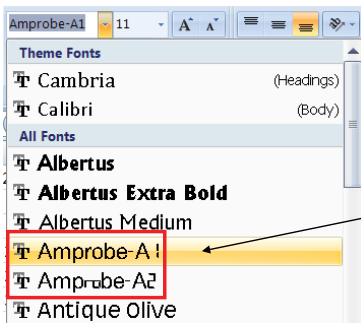
- ① Letzte Seite
- ② Nächste Seite
- ③ Aktuelle Seite
- ④ Vorherige Seite
- ⑤ Erste Seite
- ⑥ Diagramm der aktuellen Seite speichern unter *.bmp
- ⑦ Anzahl Messdaten auf Diagrammanzeige festlegen

Testbericht

Testdaten können durch Klicken auf die Schaltfläche  als *.txt, *.xls, *.xml gespeichert werden. Beim öffnen eines Datenberichts sicherstellen, dass das ausgewählte Schriftartformat, Amprobe-A1 oder Amprobe-A2 in Spalte „Unit“ (Einheit), für die Anzeige der gewünschten Temperatureinheit, °C oder °F, korrekt ist.

No	Time	Value	Unit
1	11:06:32	27.1	#
2	11:06:32	25.4	#
3	11:06:33	25.1	#
4	11:06:34	25.1	#
5	11:06:36	25.1	#
6	11:06:37	25	#
7	11:06:38	25	#
8	11:06:38	25	#

Nr. oder ? zeigen fehlerhafte Schriftart-Auswahl für Temperatureinheit an



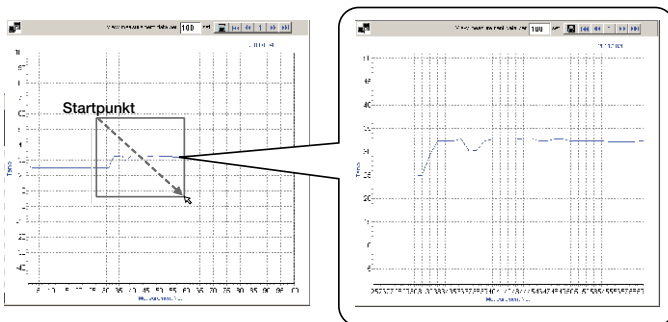
Amprobe-A1 oder Amprobe-A2 auswählen, um Temperatureinheit zu korrigieren

	A	B	C	D
1	Report created on: 2011/10/4			
2				
3	No	Time	Value	Unit
4	1	11:06:32	27.1	°C
5	2	11:06:32	25.4	°C
6	3	11:06:33	25.1	°C
7	4	11:06:34	25.1	°C
8	5	11:06:36	25.1	°C
9	6	11:06:37	25	°C
10	7	11:06:38	25	°C
11	8	11:06:38	25	°C

Korrekte Anzeige der Temperatureinheit

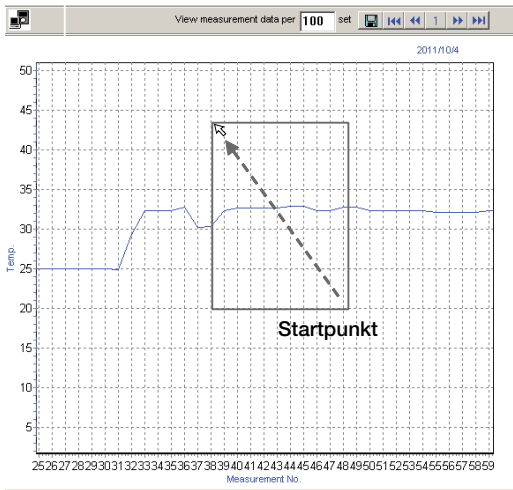
Vergrößern eines Teils des Diagramms

Um einen bestimmten Teil des Diagramms zu vergrößern, den Mauszeiger verwenden, um den Bereich von oben links nach unten rechts auszuwählen.



Mit der Schaltfläche  kann der ausgewählte vergrößerte Teil des Diagramms gespeichert werden.

Um zur ursprünglichen vollständigen Ansicht zurückzukehren, den Mauszeiger verwenden, um einen beliebigen Bereich des Diagramms von oben links nach unten rechts auszuwählen.



TECHNISCHE DATEN

Merkmale	IR-750 / IR-750-EUR
Temperaturbereich	-50 °C bis 1550 °C (-58 °F bis 2822 °F)
Genauigkeit (mit Umgebungsbetriebs-temperatur von 23 °C bis 25 °C (73 °F bis 77 F))	> 0 °C bis 1550 °C (> 32 °F bis 2822 °F): ±1,8 % oder ±1,8 °C (±4 °F), es gilt der größere Wert (Typisch) -35 °C bis 0 °C (-31 °F bis 32 °F): ±1,8 % + 1 °C (2 °F) oder ±2,8 °C (±6 °F), es gilt der größere Wert (Typisch) -50 °C bis -35 °C (-58 °F bis -31 °F): nicht spezifiziert (nur als Referenz)
Wiederholbarkeit	±0,5 % von Messwert bzw. ±0,5 °C (±1 °F), es gilt der größere Wert (Typisch)
Anzeigenauflösung	0,1 °C / 0,1 °F von Messwert < 999,9 0,2 °C / 0,2 °F von Messwert unter 10 °C (50 °F) 1 °C / 1 °F von Messwert > 999,9
Spektralreaktion	8 µm bis 14 µm
Laserlicht	Einzelpunktlaser
Laserenergie	Ausgabe > 1 mW Klasse 2, Wellenlänge 630 bis 670 nm
Ansprechzeit (95 %)	250 ms
Verhältnis Abstand zu Punktgröße (D:S)	50:1
Minimale Punktgröße	19 mm
Emissivität	Digital anpassbar von 0,10 bis 1,00 in Schritten von 0,01 Die voreingestellte Emissivität ist 0,95
Umgebungsbetriebs-temperatur	0 °C bis 50 °C / 32 °F bis 120 °F
Relative Luftfeuchtigkeit	0 % bis 75 % nicht kondensierend
Lagerungstemperatur	-20 °C bis 65 °C / -4 °F bis 150 °F (Batterie nicht eingesetzt)
Temperaturanzeige	°C bzw. °F wählbar
Display-Hold	8 Sek.
MAX/MIN-Temperatur-anzeige	✓
DIF/AVG-Temperatur-anzeige	✓

USB-Schnittstelle	√
Datenspeicher	99
Programmierbarer oberer und unterer Alarm	√
Messen mit Thermoelement Typ K	√
LCD-Doppelanzeige	√
LCD-Hintergrundbeleuchtung	√
Anzeige für schwache Batterie	√
Stativbefestigung	√
Stromversorgung	Alkalibatterie 9 V 6F22 oder Amprobe EPS-700-US Stromadapter (USA) oder EPS-700-EUR Stromadapter (Europa)
Batterielebensdauer	10 Stunden mit Laser und Hintergrundbeleuchtung eingeschaltet 30 Stunden mit Laser und Hintergrundbeleuchtung ausgeschaltet
Abmessungen (H x B x L)	Ca. 183 x 147 x 57 mm
Gewicht	Ca. 345 g mit eingesetzter Batterie
Wahlfreies Zubehör	Stromadapter EPS-700-US (USA), EPS-700-EUR (Europa)

WARTUNG

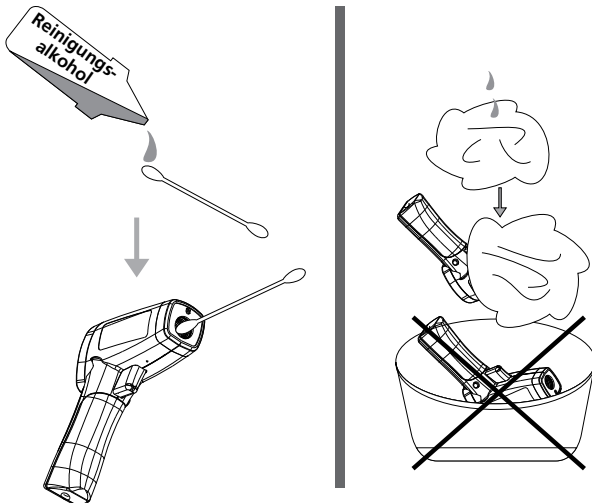
Linsenreinigung: Lose Partikel mit sauberer Druckluft abblasen. Verbleibende Verunreinigungen mit einer Kamelhaarbürste behutsam abbürsten. Die Oberfläche mit einem angefeuchteten Baumwolllappen sorgfältig abwischen. Der Lappen kann mit Wasser oder Reinigungsalkohol angefeuchtet werden.

HINWEIS: KEINE Lösungsmittel zur Reinigung der Kunststofflinse verwenden.


Gehäusereinigung: Seife und Wasser an einem feuchten Schwamm oder weichen Tuch verwenden.

Vorsicht!

Das Gerät nicht in Wasser eintauchen.



FEHLERBEHEBUNG

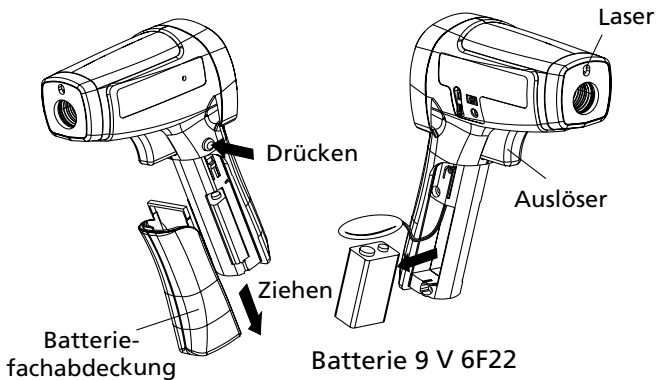
Code	Problem	Maßnahme
OL	Zieltemperatur-Bereichsüberschreitung	Ziel innerhalb des Bereichs auswählen
-OL	Zieltemperatur-Bereichsunterschreitung	Ziel innerhalb des Bereichs auswählen
Batterieanzeige 	Schwache Batterie	Batterie prüfen und/oder ersetzen
Leere Anzeige	Möglicherweise leere Batterie	Batterie prüfen und/oder ersetzen
Laser funktioniert nicht	1. Erschöpfte oder leere Batterie 2. Umgebungstemperatur über 40 °C (104 °F)	1. Batterie ersetzen 2. In Umgebung mit geringerer Umgebungstemperatur verwenden
Akustisches Signal piepst kontinuierlich	Prüfen, ob der oberere/untere Alarm eingestellt ist? Übersteigt Messwert den gesetzten Grenzwert?	Oberere/untere Alarmeinstellung zurücksetzen oder Grenzwerteinstellung stornieren

ERSETZEN DER BATTERIE

Einsetzen bzw. Wechseln der 9-V-Batterie (siehe unten):

1. Die Taste drücken und den Griff nach unten ziehen, um die Batteriefachabdeckung zu öffnen.
2. Auf die richtige Polarität achten und die Batterie einsetzen.
3. Die Batteriefachabdeckung wieder anbringen.

Batterie: Alkalibatterie 9 V 6F22 oder gleichwertig





IR-750

IR-750-EUR

Termometro IR 50:1 con memoria

Manuale d'uso

Italiano

Garanzia limitata e limitazione di responsabilità

Questo prodotto Amprobe sarà esente da difetti di materiale e fabbricazione per un anno a decorrere dalla data di acquisto se non specificato diversamente dalle leggi locali. Sono esclusi da questa garanzia i fusibili, le pile monouso e i danni causati da incidenti, negligenza, uso improprio, alterazione, contaminazione o condizioni anomale di funzionamento o manipolazione. I rivenditori non sono autorizzati a offrire nessun'altra garanzia a nome della Amprobe. Per richiedere un intervento durante il periodo di garanzia, restituire il prodotto, allegando la ricevuta di acquisto, a un centro di assistenza autorizzato Amprobe Test Tools oppure a un rivenditore o distributore Amprobe locale. Per ulteriori informazioni vedere la sezione Riparazioni. QUESTA GARANZIA È IL SOLO RICORSO A DISPOSIZIONE DELL'ACQUIRENTE E SOSTITUISCE QUALSIASI ALTRA GARANZIA, ESPRESSA, IMPLICITA O PREVISTA DALLA LEGGE, COMPRESA, MA NON A TITOLO ESCLUSIVO, QUALSIASI GARANZIA IMPLICITA DI COMMERCIALIZZABILITÀ O DI IDONEITÀ PER SCOPI PARTICOLARI. IL PRODUTTORE NON SARÀ RESPONSABILE DI DANNI O PERDITE SPECIALI, INDIRECTI O ACCIDENTALI, DERIVANTI DA QUALSIASI CAUSA O TEORIA. Poiché alcuni stati o Paesi non permettono l'esclusione o la limitazione di una garanzia implicita o di danni accidentali o indiretti, questa limitazione di responsabilità potrebbe non riguardare l'acquirente.

Riparazioni

A tutti gli strumenti di misura restituiti per interventi in garanzia non coperti dalla garanzia oppure per la taratura, devono essere allegati le seguenti informazioni: il proprio nome e quello dell'azienda, indirizzo, numero telefonico e ricevuta di acquisto. Allegare anche una breve descrizione del problema o dell'intervento richiesto e i cavi di misura. Gli importi dovuti per sostituzioni o riparazioni non coperte dalla garanzia vanno versati tramite assegno, vaglia bancario, carta di credito con data di scadenza, oppure ordine di acquisto all'ordine di Amprobe® Test Tools.

Sostituzioni e riparazioni in garanzia – Tutti i Paesi

Leggere la garanzia e controllare la batteria prima di richiedere una riparazione. Durante il periodo di garanzia, si può restituire uno strumento difettoso al rivenditore Amprobe® Test Tools per ricevere un prodotto identico o analogo. Nella sezione "Where to Buy" del sito www.amprobe.com c'è un elenco dei distributori più vicini. Negli Stati Uniti e nel Canada gli strumenti da sostituire o riparare in garanzia possono essere inviati anche a un centro di assistenza Amprobe® Test Tools (l'indirizzo è più avanti).

Sostituzioni e riparazioni non coperte dalla garanzia – Stati Uniti e Canada

Se la riparazione non è coperta dalla garanzia negli Stati Uniti e nel Canada, lo strumento va inviato a un centro di assistenza Amprobe® Test Tools. Rivolgersi alla Amprobe® Test Tools o al rivenditore per informazioni sui costi delle riparazioni e sostituzioni.

Stati Uniti

Amprobe Test Tools
Everett, WA 98203
Tel: 877-AMPROBE (267-7623)

Canada

Amprobe Test Tools
Mississauga, ON L4Z 1X9
Tel: 905-890-7600

Sostituzioni e riparazioni non coperte dalla garanzia – Europa

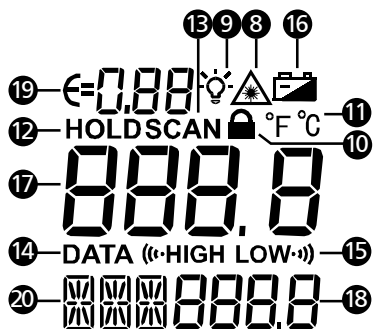
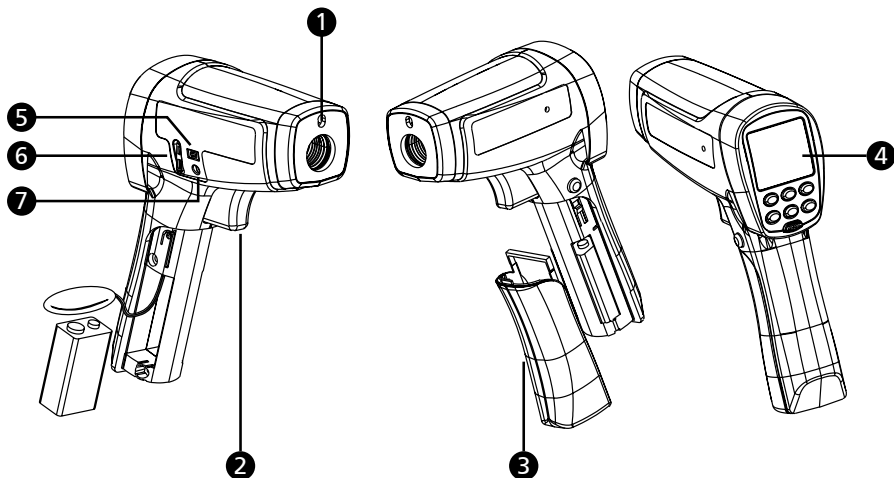
Gli strumenti acquistati in Europa e non coperti dalla garanzia possono essere sostituiti dal rivenditore Amprobe® Test Tools per un importo nominale. Nella sezione "Where to Buy" del sito www.amprobe.com c'è un elenco dei distributori più vicini.

Recapito postale europeo*
Amprobe® Test Tools Europe
Beha-Amprobe GmbH
In den Engematten 14
79286 Glottertal, Germania
Tel.: +49 (0) 7684 8009 - 0
www.amprobe.eu

*(Solo per corrispondenza – non rivolgersi a questo indirizzo per riparazioni o sostituzioni. Si pregano i clienti europei di rivolgersi al proprio rivenditore.)






INDICE

SIMBOLI	3
INFORMAZIONI SULLA SICUREZZA	3
DISIMBALLAGGIO E ISPEZIONE	4
CARATTERISTICHE	4
PRINCIPIO DI FUNZIONAMENTO DEL TERMOMETRO	4
USO DEL TERMOMETRO	4
Misure di temperatura.....	4
Individuazione di un punto ad alta o bassa temperatura.....	8
Rapporto distanza-diametro spot.....	8
Campo visivo	8
Emissività	9
Promemoria.....	9
MISURE TIPICHE	10
USO DEL SOFTWARE IR-750 / IR-750-EUR	13
DATI TECNICI	17
MANUTENZIONE	18
RICERCA GUASTI	19
SOSTITUZIONE DELLA PILA	19



- 1 Apertura laser
- 2 Pulsante di misura
- 3 Coperchio scomparto pila
- 4 Display
- 5 Connettore USB
- 6 Connettore per termocoppia di tipo K
- 7 Connettore per l'adattatore di corrente (accessorio opzionale)
- 8 Simbolo di laser acceso
- 9 Retroilluminazione del display
- 10 Bloccaggio misura (Misura continua)
- 11 Unità di misura temperatura (Celsius / Fahrenheit)
- 12 Tenuta automatica dati di 8 secondi sul display
- 13 Esecuzione della misura (pulsante premuto)
- 14 Memoria incorporata con 99 posizioni di memoria
- 15 Allarme programmabile di alta e bassa lettura
- 16 Indicazione di bassa carica della pila
- 17 Display principale
- 18 Display secondario
- 19 Emissività (regolabile da 0,10 a 1,00)
- 20 Valori di temperatura MAX, MIN, DIF, AVG
Impostazione di temperatura HAL, LAL Selezione
valori in memoria (DATA) Misure con termocoppia
(T-C) tipo K

SIMBOLI

	Attenzione. Vedere la spiegazione nel manuale.
	Avvertenza Luce laser. Non tenere lo sguardo fisso sul fascio laser.
°C	Gradi Celsius.
°F	Gradi Fahrenheit.
	Indicazione di bassa carica della pila.
	Conforme alle direttive della Comunità Europea.
	Non smaltire questo prodotto assieme ad altri rifiuti solidi non differenziati. Rivolgersi a una ditta di riciclaggio qualificata.

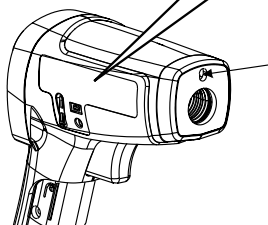
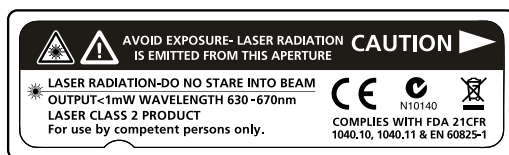
INFORMAZIONI SULLA SICUREZZA

Lo strumento è conforme alle seguenti norme:

EN 61010-1 – Sicurezza generale

EN 60825-1 – Sicurezza laser

EN 61326-1 – Emissioni elettromagnetiche e suscettibilità



Apertura laser

Avvertenza

- Non tenere lo sguardo fisso sul fascio laser.
- Non dirigere il fascio laser verso gli occhi, né direttamente, né indirettamente tramite superfici riflettenti.
- Solo per l'uso da parte di persone competenti.
- Sostituire la pila non appena si visualizza l'indicazione di bassa carica.
- Verificare il funzionamento dello strumento misurando una temperatura nota. Non usare il termometro se funziona in modo anomalo.
- Non usare il termometro in presenza di polvere, vapore o gas esplosivi.
- Per prevenire il rischio di ustioni o incendio, tenere presente che oggetti riflettenti possono essere a temperatura molto più alta di quella indicata dallo strumento.
- Non lasciare il termometro su, o presso, oggetti ad alta temperatura.
- Usare il termometro solo come specificato nel presente manuale, altrimenti si rischia di compromettere la protezione offerta dallo strumento o si può essere esposti a radiazione laser pericolosa.

Attenzione

Per evitare lesioni personali e di danneggiare il termometro durante le misure, prendere le seguenti precauzioni e proteggerlo dalle seguenti condizioni:

- campi elettromagnetici generati da saldatrici ad arco o riscaldatori a induzione;
- elettricità statica;
- intense sollecitazioni termiche, causate da variazioni di temperatura improvvise o estreme – lasciare che lo strumento si stabilizzi per 30 minuti prima di usarlo.
- Non lasciare il termometro su, o presso, oggetti ad alta temperatura.

DISIMBALLAGGIO E ISPEZIONE

Contenuto della confezione

- 1 Termometro IR-750 / IR-750-EUR
- 1 Cavo USB
- 1 Sonda per termocoppia tipo K
- 1 Custodia da trasporto
- 1 Custodia rigida da trasporto
- 1 Pila da 9 V (installata)
- 1 Manuale dell'utente

Se uno di questi articoli è danneggiato o manca, restituire l'intera confezione al punto di acquisto perché venga sostituita.

CARATTERISTICHE

Il modello Amprobe IR-750 / IR-750-EUR è un termometro a raggi infrarossi con rapporto di 50:1 tra distanza e diametro dello spot, che offre la precisione e il tempo di risposta migliori tra gli strumenti della sua classe nell'intervallo di temperature tra -50 e 1.550 °C (-58 – 2822 °F). Il termometro IR-750 / IR-750-EUR è perfetto per applicazioni di controllo di processo e della qualità in cui si richiedono precisione e distanza dallo spot estremamente alte. È dotato di memoria per 99 punti, ingresso per termocoppia e porta USB per impieghi complessi su impianti di ventilazione, condizionamento dell'aria e riscaldamento (HVAC/R), impianti elettrici, per la manutenzione di apparati industriali e applicazioni automobilistiche nonché per procedure di controllo della qualità e di prevenzione degli incendi.

- Rapporto di 50:1 tra distanza e diametro dello spot
- Intervallo di temperature tra -50 e 1550 °C (-58 – 2822 °F)
- Alta precisione e breve tempo di risposta
- Puntatore laser e display doppio a cristalli liquidi con retroilluminazione
- Tenuta automatica delle letture sul display e memoria MAX/MIN
- Emissività regolabile per misure su un'ampia gamma di materiali
- 99 posizioni di memoria; è incluso un cavo per trasferimento dati a PC

PRINCIPIO DI FUNZIONAMENTO DEL TERMOMETRO

I termometri a infrarossi misurano la temperatura superficiale di un oggetto. L'ottica dello strumento rileva l'energia emessa, riflessa e trasmessa, che viene raccolta e concentrata su un rivelatore. I circuiti elettronici dello strumento convertono il segnale in una lettura di temperatura che viene visualizzata.

USO DEL TERMOMETRO

Misure di temperatura

Il termometro si accende quando si preme il pulsante a grilletto e si spegne se non rileva alcuna attività per 8 secondi.

Per misurare la temperatura di un oggetto, puntare il termometro verso l'oggetto stesso e premere il pulsante a grilletto. Si può usare il puntatore laser per raggiungere più facilmente l'oggetto. Premere e tenere premuto il pulsante mentre il termometro esegue la misura. Quando si rilascia il pulsante, la lettura rimane visualizzata per 8 secondi. Accertarsi di considerare il rapporto distanza-diametro spot e il campo visivo. Il laser non è correlato ai circuiti di misura; serve solo a traguardare la superficie di cui misurare la temperatura.

Il termometro è dotato di una funzione di spegnimento automatico che interviene dopo 8 secondi di inattività. Per riaccendere il termometro, premere il pulsante.



Posizioni del selettore rotativo

Pulsante	Descrizione
Pulsante GIALLO	Premere il pulsante GIALLO per selezionare ciclicamente le opzioni MAX, MIN, DIF, AVG, HAL, LAL, DATA e T-C. Quando il termometro va nella modalità di risparmio energetico, premere MODE per riaccenderlo e visualizzare il risultato dell'ultima misura.
SET	Premere per andare alla modalità di impostazione dell'emissività, del bloccaggio del pulsante a grilletto e dell'unità di misura °C / °F. Vedere più avanti per i dettagli sulle impostazioni dell'emissività, del bloccaggio del pulsante a grilletto e °C / °F.
	Premere per attivare o disattivare la retroilluminazione. È possibile scegliere tra due livelli di retroilluminazione, per adattarsi a diverse condizioni di illuminazione ambiente.
	Premere per accendere o spegnere il laser. Il simbolo sul display indica che il laser è acceso.
	Quando il termometro va nella modalità di impostazione (SET), premere o per selezionare un'opzione (emissività, bloccaggio del pulsante a grilletto, unità di misura °C / °F). Quando il termometro va nella modalità HAL, LAL o DATA, premere o per selezionare un'opzione (emissività, bloccaggio del pulsante a grilletto, unità di misura °C / °F).

Laser

Attenzione

Per prevenire infortuni, non dirigere il fascio laser verso gli occhi, né direttamente, né indirettamente tramite superfici riflettenti.

Il termometro è dotato di un laser, che serve solo per il puntamento. Il laser si spegne quando si rilascia il pulsante.

Accensione e spegnimento del laser

1. Premere il pulsante per accendere o spegnere il laser; quando il laser è acceso, sul display compare un apposito simbolo.

Impostazione dell'emissività

1. Premere il pulsante SET per selezionare l'impostazione dell'emissività; sul display lampeggia l'icona .
2. Premere per aumentare il valore di 0,01. Premere e tenere premuto per un'impostazione veloce. Il valore massimo è 1,00.
3. Premere per diminuire il valore di 0,01. Premere e tenere premuto per un'impostazione veloce. Il valore minimo è 0,01.
4. Premere il pulsante MODE per completare l'impostazione e uscire dalla modalità di impostazione dell'emissività o premere il pulsante SET per completare l'impostazione e passare all'impostazione del bloccaggio del pulsante a grilletto.

Nota: l'emissività predefinita è pari a 0,95.

TTabella delle emissività superficiali


Superficie di misura	Impostazione
METALLI	
Alluminio	
Ossidata	0,2 – 0,4
Lega A3003	
Ossidata	0,3
Rugosa	0,1 – 0,3
Ottone	
Brunita	0,3
Ossidata	0,5
Rame	
Ossidata	0,4 – 0,8
Morsettiere elettriche	0,6
Haynes	
Lega	0,3 – 0,8
Inconel	
Ossidata	0,7 – 0,95
Sabbiata	0,3 – 0,6
Elettrolevigata	0,15
Ferro	
Ossidata	0,5 – 0,9
Arrugginita	0,5 – 0,7
Ghisa	
Ossidata	0,6 – 0,95
Non ossidata	0,2
Fusa	0,2 – 0,3
Ferro battuto	
Opaca	0,9
Piombo	
Rugosa	0,4
Ossidata	0,2 – 0,6
Molibdeno	
Ossidata	0,2 – 0,6
Nichel	
Ossidata	0,2 – 0,5
Platino	
Nera	0,9
Acciaio	
Laminata a freddo	0,7 – 0,9
Lamiere rettificate	0,4 – 0,6
Lamiere levigate	0,1
Zinco	
Ossidata	0,1

Superficie di misura	Impostazione
MATERIALI NON METALLICI	
Amianto	0,95
Asfalto	0,95
Basalto	0,7
Carbonio	
Non ossidata	0,8 – 0,9
Grafite	0,7 – 0,8
Carborundum	0,9
Ceramica	0,95
Argilla	0,95
Calcestruzzo	0,95
Tela	0,95
Vetro	
Lastre	0,85
Ghiaia	0,95
Gesso	0,8 – 0,95
Ghiaccio	0,98
Calcare	0,98
Carta (qualsiasi colore)	0,95
Plastica	
Opaca	0,95
Terra	0,9 – 0,98
Acqua	0,93
Legno (naturale)	0,9 – 0,95

Bloccaggio del pulsante a grilletto

È possibile bloccare il pulsante per eseguire misure continue.

Procedere come segue:

1. Premere il pulsante **SET** per selezionare l'impostazione di bloccaggio del pulsante; sul display lampeggia l'icona .
2. Premere **▲** o **▼** per selezionare ON (pulsante bloccato) o OFF (pulsante sbloccato).
3. Premere il pulsante **GIALLO** per completare l'impostazione e uscire dalla modalità di impostazione di bloccaggio del pulsante o premere il pulsante **SET** per completare l'impostazione e passare all'impostazione dell'unità di misura della temperatura, °C o °F.

Impostazione dell'unità di misura della temperatura, °C o °F

1. Premere il pulsante **SET** per selezionare l'impostazione dell'unità di misura della temperatura; sul display lampeggia l'icona °C o °F.
2. Premere **▲** o **▼** per selezionare °C o °F.
3. Premere il pulsante **GIALLO** per completare l'impostazione e uscire dalla modalità di impostazione dell'unità di misura della temperatura.

MAX, MIN, DIF e AVG

Il termometro può misurare la temperatura massima (MAX), minima (MIN), differenziale (DIF) o media (AVG) ogni volta che viene acquisita una lettura. Questi valori sono disponibili per misure a infrarossi.

1. Premere il pulsante **GIALLO** finché sul display non compare **MIN**, **MAX**, **AVG** o **DIF**.
2. Premere e tenere premuto il pulsante a grilletto mentre si riguarda la superficie di cui misurare la temperatura.
3. Il valore viene visualizzato sul display secondario.

Allarme di alta (HAL) e bassa (LAL) lettura

Il termometro è dotato di una funzione programmabile di allarme per letture alte o basse a seconda delle soglie immesse. Quando viene raggiunto il livello di allarme, viene emesso un segnale acustico. Questa funzione non è disponibile quando si eseguono misure con una termocoppia.

Per impostare l'allarme di alta o bassa lettura, procedere come segue:

1. Premere il pulsante **GIALLO** per selezionare l'opzione **HAL** o **LAL**.
2. Premere **▲** o **▼** per regolare il valore di soglia.
3. Premere il pulsante **SET** per completare l'impostazione. Sul display compare il simbolo **(H-HIGH o LOW-L)**.

Per impostare l'allarme di alta o bassa lettura, procedere come segue:

1. Premere il pulsante **GIALLO** per selezionare l'opzione **HAL** o **LAL**.
2. Premere il pulsante **SET**. Se il simbolo **(H-HIGH o LOW-L)** non è più visualizzato, significa che l'allarme di alta o bassa lettura è disattivato.


Memoria (opzione DATA)

Il termometro ha 99 posizioni di memoria e i dati memorizzati possono essere scaricati mediante il software IR-750 / IR-750-EUR. Per memorizzare i dati procedere come segue:

1. Premere il pulsante **GIALLO** per selezionare l'opzione **DATA**.
2. Premere **▲** o **▼** per selezionare il numero di record.
3. Tirare e tenere premuto il grilletto puntando alla superficie target, quindi premere il tasto **DATA (DATI)** per salvare il valore di misurazione.

Per cancellare i dati salvati, quando il termometro è in modalità standby (lo schermo è spento), tenere premuto il tasto **"DATA"** e **"▼"** tirando il grilletto finché non viene emesso un segnale acustico. Se i dati sullo schermo mostrano "----", tutti i dati salvati vengono cancellati.

Misure con termocoppia di tipo K

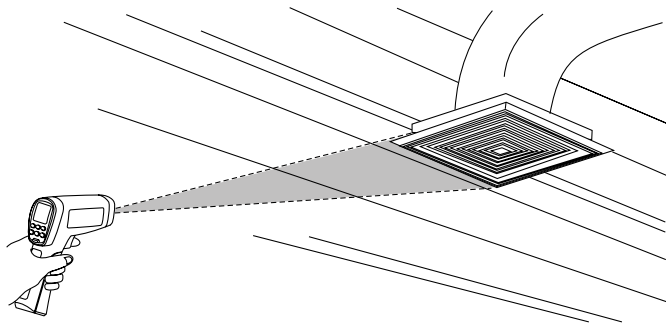
 **Per prevenire scosse elettriche o lesioni personali, non collegare la sonda di contatto della termocoppia a circuiti elettrici sotto tensione.**

Il termometro è dotato di una sonda per termocoppia di tipo K a sfera. La termocoppia di tipo K va collegata al termometro tramite il connettore d'ingresso TC-K situato sul lato destro del termometro. La sonda può essere adoperata mentre il termometro eseguire misure senza contatto.

1. Premere il pulsante **GIALLO** per passare alla modalità di misura con termocoppia (T-C). Il display visualizza OL prima dell'esecuzione della misura.
2. Collegare la termocoppia di tipo K al termometro tramite il connettore d'ingresso TC-K situato sul lato destro del termometro. Premere il pulsante a grilletto per iniziare la misura. Il display secondario mostra la misura acquisita.
3. Quando si rilascia il pulsante, la lettura rimane visualizzata per 8 secondi.

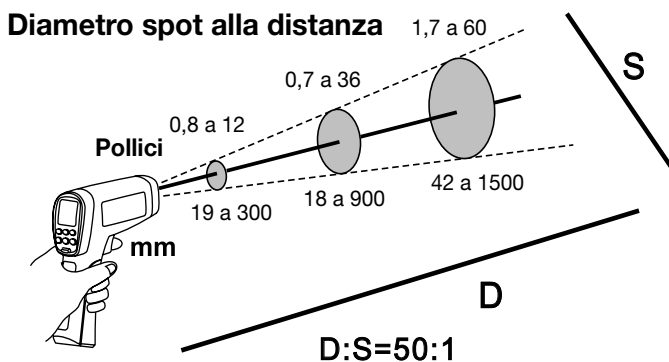
Individuazione di un punto ad alta o bassa temperatura

Per individuare un punto ad alta o bassa temperatura, orientare il termometro verso un punto esterno all'area di misura, quindi muovere lentamente in verticale il fascio laser di puntamento fino a individuare il punto desiderato.



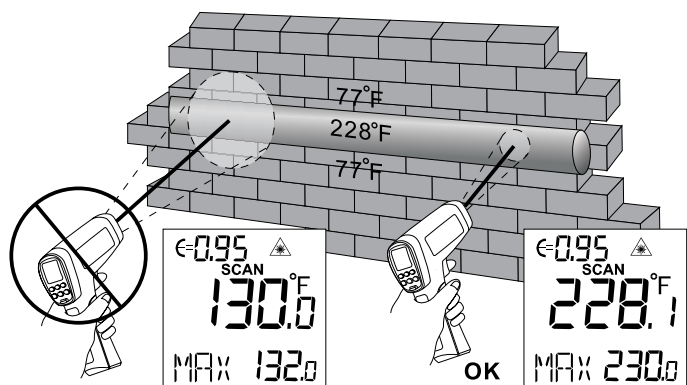
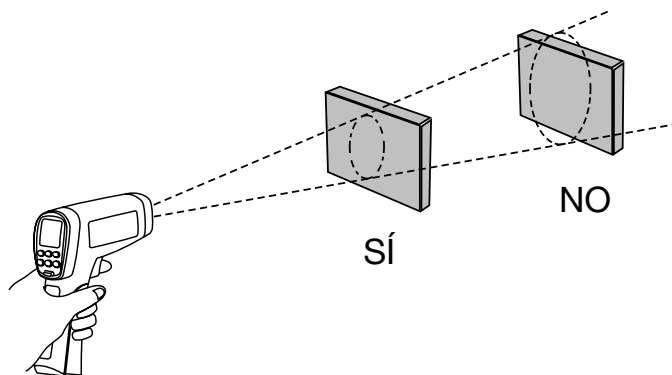
Rapporto distanza-diametro spot

All'aumentare della distanza (D) dalla superficie di cui si vuole misurare la temperatura, il diametro dello spot (S) misurato aumenta; tale diametro corrisponde al 90% dell'energia racchiusa.



Campo visivo

Accertarsi che l'oggetto sia più grande del diametro dello spot. Più è piccolo l'oggetto, più ci si deve avvicinare con il termometro.



Emissività

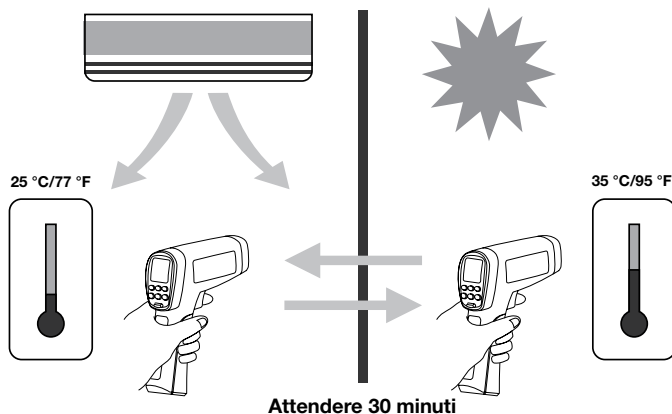
L'emissività descrive le caratteristiche di emissione dell'energia dei materiali. L'emissività della maggior parte dei materiali organici e delle superfici verniciate o ossidate è pari a circa 0,95. Se possibile, per compensare l'imprecisione delle letture che può derivare dalla misura della temperatura di superfici metalliche lucide, coprire la superficie con nastro per mascheratura o vernice nera opaca (< 150 °C / 302 °F) e usare l'impostazione di alta emissività. Attendere che il nastro o la vernice raggiungano la stessa temperatura della superficie sottostante. Misurare la temperatura del nastro o della superficie verniciata.

Se non si può usare né vernice né nastro, si potrebbe migliorare la precisione delle misure ricorrendo al selettore di emissività, anche se può essere difficile acquisire una misura a infrarossi di buona precisione quando la superficie è lucida o metallica.

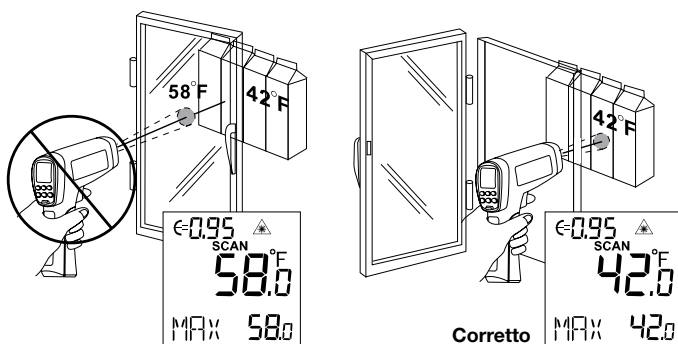
Il termometro permette di regolare l'emissività in base al tipo di superficie su cui eseguire la misura. Vedere la tabella delle emissività superficiali. Tenere presente che questa si riferisce a casi tipici; a seconda del caso specifico e dei materiali, le impostazioni potrebbero essere diverse.

Promemoria

1. Eventuali variazioni della temperatura ambiente nelle aree circostanti possono causare misure imprecise; prima di usare lo strumento, attendere che si adatti alla variazione di temperatura. La precisione dichiarata è valida 30 minuti dopo che lo strumento rileva una variazione della temperatura ambiente.



2. Lo strumento non è in grado di misurare attraverso superfici trasparenti, come il vetro. In tal caso, misura la temperatura superficiale dell'oggetto trasparente (in questo esempio, il vetro).



3. Vedere la tabella delle emissività superficiali per quanto riguarda l'uso dello strumento per la misura della temperatura di superfici lucide o di metallo levigato (acciaio inossidabile, alluminio ecc.).
4. La presenza di vapore, polvere, fumo ecc. può ostruire l'ottica dello strumento, compromettendo la precisione delle misure.

MISURE TIPICHE

Questa sezione descrive varie misure eseguite spesso dai tecnici.

Promemoria:

- Si può attivare o disattivare la retroilluminazione e il laser ogni volta che si eseguono misure con il termometro.
- Un'emissività "relativamente alta" normalmente significa un'impostazione pari a circa 0,95.
- Un'emissività "relativamente bassa" normalmente significa un'impostazione pari a circa 0,30.
- Se non è possibile identificare l'emissività dell'oggetto di cui misurare la temperatura, si può coprire la superficie (temperatura >150 °C) con nastro isolante nero (emissività pari a circa 0,95). Attendere che il nastro raggiunga la stessa temperatura dell'oggetto ricoperto, quindi misurare e annotare la temperatura del nastro.

Puntare il termometro sull'oggetto di cui misurare la temperatura superficiale e impostare l'emissività affinché la temperatura dell'oggetto corrisponda a quella del nastro. A questo punto l'emissività impostata sul termometro è prossima a quella dell'oggetto e si può iniziare la misura.

Misure su contattori (avviatori)

1. Premere **SET** per selezionare l'emissività. Premere ▲ / ▼ per selezionare un'emissività relativamente bassa per contatti lucidi o un livello medio di 0,7 per contatti scuriti.
2. Premere il pulsante **GIALLO** per selezionare **MAX**.
3. Eseguire la misura sul lato di fase e di carico di un polo senza rilasciare il pulsante a grilletto.
4. Una differenza di temperatura tra i lati di fase e di carico di un polo indica una resistenza maggiore a uno dei punti e il contattore potrebbe essere sul punto di guastarsi.

Misure su relè racchiusi

1. Premere **SET** e poi premere ▲ / ▼ per impostare l'emissività su un valore relativamente basso se i connettori non sono isolati o relativamente alto nel caso di relè all'interno di involucri di plastica o di bachelite o se i connettori sono isolati.
2. Premere il pulsante **GIALLO** per selezionare **MAX**.
3. Iniziare l'analisi.
4. Misurare la temperatura dell'involucro del relè, cercando punti ad alta temperatura.
5. Misurare la temperatura delle connessioni sui terminali del relè, cercando punti ad alta temperatura.

Misure su fusibili e connessioni di bus

1. Premere **SET** e quindi premere ▲ / ▼ per impostare l'emissività su un valore relativamente alto per un corpo fusibile coperto da carta o connessioni isolate.
2. Premere il pulsante **GIALLO** per selezionare **MAX**.
3. Analizzare la lunghezza del fusibile coperta dalla carta.
4. Senza rilasciare il pulsante a grilletto, analizzare ciascun fusibile. Differenze di temperatura tra i fusibili possono indicare sbilanciamenti di tensione o corrente.
5. Premere **SET** e quindi premere ▲ / ▼ per impostare l'emissività su un valore relativamente basso per cappucci e fusibili metallici e per connessioni di bus isolate.
6. Premere **MODE** per selezionare **MAX**.
7. Analizzare il cappuccio terminale di ciascun fusibile.

Nota: temperatura diverse o una temperatura elevata indicano una connessione allentata o corrosa nel morsetto elastico del fusibile.

Prova di connessioni elettriche

1. Premere **SET** e quindi premere ▲ / ▼ per impostare l'emissività su un valore relativamente basso per connettori non isolati o connessioni di bus o relativamente alto per connessioni isolate.

Nota: in genere i conduttori sono più piccoli dello spot del termometro; se il diametro dello spot è più grande del connettore, la lettura di temperatura rappresenta il valore medio nello spot.

2. Rilevare la temperatura del conduttore muovendo il termometro lungo la direzione del connettore (connessione rapida, dado serrafilo, connessione di linea di distribuzione ecc.).

Analisi di pareti per individuare perdite di aria o difetti di coibentazione

1. Spegner l'impianto di riscaldamento, di condizionamento dell'aria e la soffiante.
2. Premere **SET** per selezionare l'emissività. Premere ▲ / ▼ per selezionare un'emissività relativamente alta per superfici verniciate o superfici di finestre.
3. Premere il pulsante **GIALLO** per selezionare **MIN** quando il lato opposto della parete è a temperatura inferiore o **MAX** quando il lato opposto della parete è a temperatura superiore.
4. Misurare la temperatura della superficie della parete di una partizione interna.
5. Non rilasciare il pulsante a grilletto. Annotare questa temperatura come valore di riferimento per una parete isolata "perfettamente".
6. Sostare di fronte alla parete da analizzare, a 1,5 metri di distanza per ottenere un diametro dello spot di 4 cm sulla parete.
7. Analizzare file orizzontali di parete dalla parte superiore a quella inferiore o file orizzontali del soffitto da una parete all'altra, per rilevare le deviazioni maggiori dalla temperatura di riferimento allo scopo di individuare i problemi. Questa operazione completa la prova di coibentazione.

Avviare la soffiante (senza inserire l'impianto di riscaldamento né quello di condizionamento dell'aria) e rieseguire l'analisi. Se i risultati con la soffiante in funzione sono diversi dai risultati con la soffiante ferma, potrebbero esistere perdite d'aria nelle pareti coibentate, causate da perdite nei condotti che creano pressioni differenziali negli spazi coibentati.

Misure su cuscinetti

Avvertenza

Per prevenire infortuni quando si eseguono misure su cuscinetti:

- 1. non indossare indumenti larghi, gioielli o qualsiasi altro oggetto intorno al collo quando si lavora presso componenti mobili come motori, cinghie, soffianti e ventole;*
- 2. accertarsi che il sezionatore sia a portata di mano, non ostacolato e funzionante correttamente;*
- 3. non lavorare da soli.*

Nota: si ottengono risultati migliori confrontando due motori simili funzionanti con carichi simili.

1. Premere **SET** e quindi premere ▲ / ▼ per selezionare un'emissività relativamente alta.
2. Premere **SELECT** per selezionare **MAX**.
3. Avviare il motore e attendere che raggiunga la temperatura di esercizio a regime.
4. Arrestare il motore se possibile.
5. Misurare le temperature dei due cuscinetti del motore.
6. Confrontare le temperature dei due cuscinetti del motore. Temperature diverse o una temperatura elevata possono indicare un problema di lubrificazione o di altro tipo, causato da attrito eccessivo.
7. Ripetere la sequenza per i cuscinetti della soffiante.

Misure su cinghie e pulegge

1. Premere **SET** e quindi premere ▲ / ▼ per selezionare un'emissività relativamente alta.
2. Premere **SELECT** per selezionare **MAX**.
3. Avviare il motore e attendere che si porti alla temperatura corrispondente al funzionamento a regime.
4. Puntare il termometro sulla superficie di cui misurare la temperatura.
5. Iniziare a registrare le temperature.
6. Muovere lentamente il termometro verso l'alto, verso la seconda puleggia.
 - Se la cinghia slitta, la temperatura della puleggia sarà alta a causa dell'attrito.
 - Se la cinghia slitta, la sua temperatura rimane alta tra le pulegge.
 - Se la cinghia non slitta, la temperatura si riduce tra le pulegge.
 - Se le superfici delle pulegge non sono perfettamente a "V", significa che la cinghia slitta e continuerà a funzionare ad alte temperatura finché non si sostituisce la puleggia.
 - Le pulegge devono essere allineate (compresi "passo e imbardata") affinché la cinghia e le pulegge funzionino a temperature appropriate. Per verificare gli allineamenti si può usare un righello o una corda tesa.
 - La puleggia del motore deve funzionare a temperatura coerente con quella delle pulegge della soffiante.
 - Se la puleggia del motore è a temperatura superiore in corrispondenza dell'albero del motore rispetto alla circonferenza esterna, probabilmente la cinghia non slitta.
 - Se la puleggia del motore è a temperatura superiore in corrispondenza della circonferenza esterna rispetto all'albero del motore, probabilmente la cinghia slitta e le pulegge potrebbero essere disallineate.

Verifica di impianti idronici irradiatori di calore

1. Premere **SET** e quindi premere / per selezionare un'emissività relativamente alta.
2. Premere il pulsante **GIALLO** per selezionare **MAX**.
3. Per individuare i tubi radianti nel pavimento, aumentare temporaneamente la temperatura di anello per creare punti "più caldi" allo scopo di identificare i tratti di tubi.
4. Prima di rilasciare il pulsante a grilletto, premere il pulsante **GIALLO** per rilevare alternativamente i valori **MIN**, **MAX** e **DIF** delle temperature del pavimento e registrarle per confrontarle in un secondo tempo e determinare gli andamenti in condizioni simili.

Misurazione della temperatura all'uscita di griglie, bocchette o diffusori

1. Premere **SET** e quindi premere ▲ / ▼ per selezionare un'emissività relativamente alta.
2. Puntare il termometro sul punto di uscita dell'aria dalla griglia, dalla bocchetta o dal diffusore.
3. Misurare la temperatura all'uscita.
4. Rilasciare il pulsante a grilletto per fermare la lettura per 8 secondi e registrarla.
5. La temperatura all'uscita di una griglia, una bocchetta o un diffusore deve essere uguale a quella di uscita dal ventilatore di circolazione dell'aria.

Controllo dell'esistenza di ostruzioni nell'evaporatore o nel condensatore

1. Rimuovere i pannelli per accedere ai gomiti di ritorno/tratti a U della serpentina.
2. Premere **SET** e quindi premere ▲ / ▼ per selezionare un'emissività relativamente alta per il tubo di rame.
3. Avviare l'impianto di refrigerazione.
4. Puntare il termometro verso i gomiti/tratti a U della serpentina.
5. Iniziare a registrare le temperature.
6. Misurare la temperatura di ciascun gomito di ritorno/tratto a U.
 - Tutti i gomiti di ritorno/tratti a U dell'evaporatore devono essere a temperatura uguale o leggermente più alta di quella di saturazione dell'evaporatore letta sul diagramma di pressione-temperatura.
 - Tutti i gomiti di ritorno/tratti a U devono essere a temperatura uguale o leggermente più bassa di quella di saturazione del condensatore.
 - Se un gruppo di gomiti di ritorno/tratti a U non è alle temperature previste, un tubo o dispositivo distributore è intasato, in tutto o in parte.

USO DEL SOFTWARE IR-750 / IR-750-EUR

Requisiti di sistema

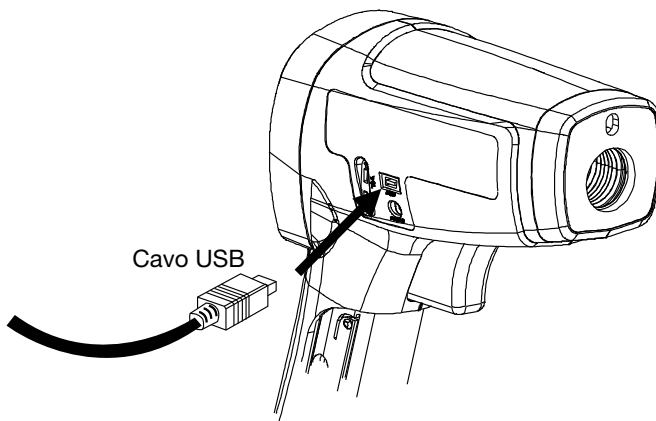
Configurazione consigliata

Processore	Pentium® 4 o superiore con supporto di tutti i normali sistemi operativi
Sistema operativo	Microsoft Windows® 2000 / XP / Vista / Win7
Memoria	512 MB o più di RAM
Monitor	VGA (1024 x 768)
Unità	CD-ROM
Dispositivo di immissione	Mouse o compatibile
Interfaccia	USB per la trasmissione dati

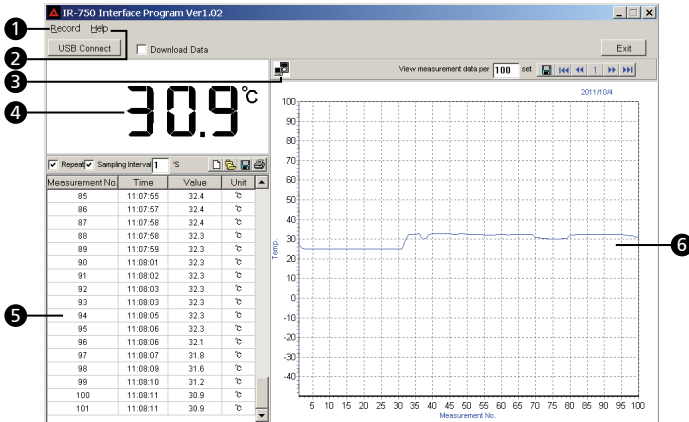
Installazione del software IR-750 / IR-750-EUR

- Inserire il CD fornito nell'unità CD-ROM.
- Fare doppio clic su "IR-750_VX.XX.exe" (X può essere 0 o 9 o anche uno spazio, a seconda della versione del software).
- Compaiono finestre di procedura guidata all'impostazione del software.

Collegamento del cavo USB al termometro IR-750 / IR-750-EUR



Schermata principale



- Record** Questo comando permette di creare (New) un file, memorizzare (Save) un file e impostare (Set) il numero di misure (1000, 5000, 10000, 50000, 100000 o nessun limite).
- Help** Questo comando visualizza le istruzioni per l'uso del software.
- Quando questa icona lampeggia, significa che il termometro IR-750 / IR-750-EUR è collegato al PC su cui si esegue il software.
- Riquadro principale della misura
- Riquadro secondario dei dati di misura
- Dati di misura sotto forma di grafico

Uso del software

USB Connect Questo pulsante serve a collegare il software al termometro

IR-750 / IR-750-EUR e iniziare le misure. Fare clic su "USB Connect"; l'icona lampeggiante indica che il termometro IR-750 ha stabilito la connessione con il PC e inizierà automaticamente a eseguire le misure. Il riquadro principale mostra l'attuale temperatura misurata, mentre il riquadro secondario mostra tutti i dati di misura.

Download Data permette di scaricare tutti i dati memorizzati nel termometro IR-750. Selezionare "Download Data" e fare clic su "USB Connect"; i dati memorizzati vengono trasferiti automaticamente al PC e visualizzati sul riquadro secondario.

Exit Questo pulsante chiude il software.

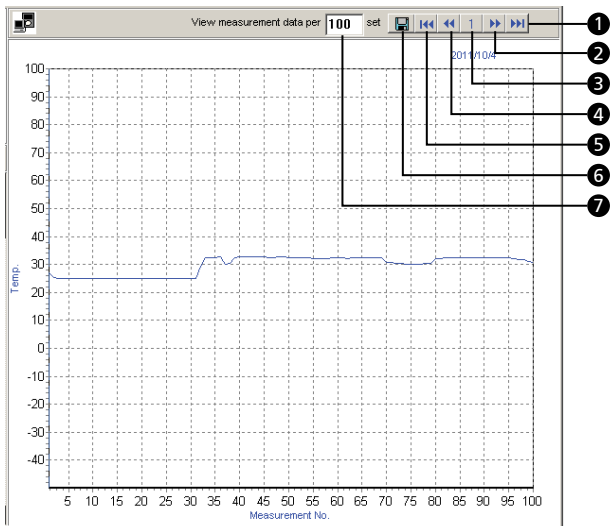
Measurement No.	Time	Value	Unit
1	11:06:32	27.1	°C
2	11:06:32	25.4	°C
3	11:06:33	25.1	°C
4	11:06:34	25.1	°C
5	11:06:36	25.1	°C
6	11:06:37	25.0	°C
7	11:06:38	25.0	°C
8	11:06:38	25.0	°C

- Per stampare i dati
- Per memorizzare i dati (*.txt, *.xls, *.xml)
- Per aprire file (*.txt, *.xls, *.xml)
- Per cancellare i dati correnti e crearne di nuovi.

Repeat: selezionare questa opzione per visualizzare ogni misura con l'intervallo impostato. Se si deseleziona "Repeat", il riquadro secondario mostra solo il risultato della misura diverso dall'ultima temperatura misurata. Il grafico mostra tutti i risultati delle misure indipendentemente dal fatto che "Repeat" sia selezionata o deselezionata.


Sampling Interval permette di impostare l'intervallo di campionamento delle misure (da 1 a 9999 secondi).

Nota: quando il numero di dati corrispondenti alle misure eseguite raggiunge 10.000, compare un'avvertenza e il termometro cessa di eseguire misure. Memorizzare o cancellare i dati di misura prima di passare alle misure successive.



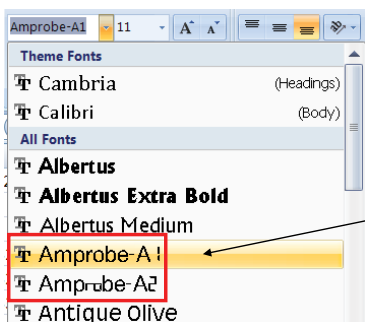
- 1 Ultima pagina
- 2 Pagina successiva
- 3 Pagina corrente
- 4 Pagina precedente
- 5 Prima pagina
- 6 Per salvare il grafico nella pagina corrente con l'estensione *.bmp
- 7 Per impostare il numero di dati di misura sul grafico

Rapporto sulle misure

I dati di misura possono essere salvati nel formato *.txt, *.xls o *.xml facendo clic sul pulsante . Quando si apre il rapporto sui dati, accertarsi di selezionare come tipo di carattere (Theme Fonts) Amprobe-A1 o Amprobe-A2 nella colonna "Unit" per visualizzare la corretta unità di misura della temperatura, °C o °F.

No	Time	Value	Unit
1	11:06:32	27.1	#
2	11:06:32	25.4	#
3	11:06:33	25.1	#
4	11:06:34	25.1	#
5	11:06:36	25.1	#
6	11:06:37	25	#
7	11:06:38	25	#
8	11:06:38	25	#

o ? indica la selezione di un tipo di caratteri sbagliato per l'unità di misura della temperatura



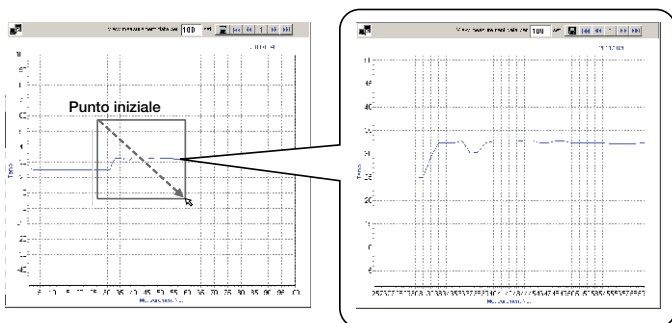
Selezionare Amprobe-A1 o Amprobe-A2 per visualizzare la corretta unità di misura della temperatura


No	Time	Value	Unit
1	11:06:32	27.1	°C
2	11:06:32	25.4	°C
3	11:06:33	25.1	°C
4	11:06:34	25.1	°C
5	11:06:36	25.1	°C
6	11:06:37	25	°C
7	11:06:38	25	°C
8	11:06:38	25	°C

Visualizzazione giusta dell'unità di misura della temperatura

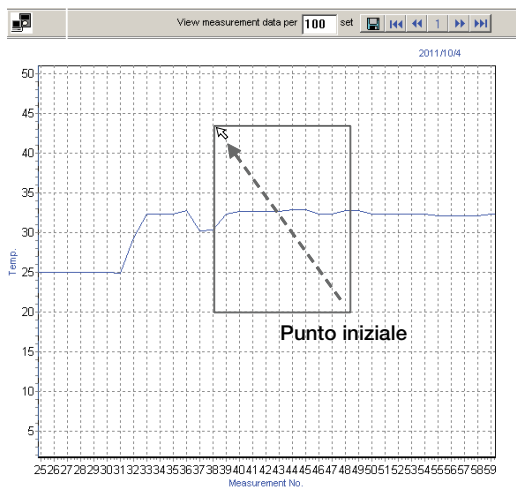
Zoom sul grafico selezionato

Per ingrandire una parte del grafico, selezionare con il puntatore del mouse l'area dal vertice superiore sinistro al vertice inferiore destro.



Si può usare il pulsante  per salvare la parte selezionata e ingrandita del grafico.

Per ripristinare la visualizzazione completa originale, selezionare con il pulsante del mouse qualsiasi area del grafico dal vertice inferiore destro al vertice superiore sinistro.



DATI TECNICI

Caratteristica	IR-750
Portata di temperatura	Da -50 a 1550 °C (-58 a 2822 °F)
Precisione a temperatura ambiente compresa tra 23 °C e 25 °C (73 a 77 °F)	> 0 a 1550 °C (> 32 a 2822 °F): $\pm 1,8\%$ o $\pm 1,8$ °C (± 4 °F), il valore maggiore dei due (Tipico); da -35 a 0 °C (-31 a 32 °F): $\pm 1,8\%$ + 1 °C (2 °F) o $\pm 2,8$ °C (± 6 °F), il valore maggiore dei due (Tipico); da -50 a -35 °C (-58 a -31 °F): non specificata (solo per riferimento)
Ripetibilità	$\pm 0,5\%$ della lettura o $\pm 0,5$ °C (± 1 °F), il valore maggiore dei due (Tipico)
Risoluzione del display	0,1 °C / 0,1 °F della lettura < 999,9 0,2 °C / 0,2 °F della lettura sotto 10 °C (50 °F) 1 °C / 1 °F della lettura > 999,9
Risposta spettrale	Da 8 μm a 14 μm
Alzo laser	Laser a punto singolo
Potenza laser	Uscita > 1 mW Classe 2, lunghezza d'onda da 630 a 670 nm
Tempo di risposta (95%)	250 ms
Rapporto distanza-diametro spot (D:S)	50:1
Diametro minimo spot	19 mm
Emissività	Regolabile in modalità digitale da 0,10 a 1,00 con incrementi di 0,01 L'emissività predefinita è pari a 0,95
Temperatura ambiente di funzionamento	Da 0 a 50 °C (32 a 120 °F)
Umidità relativa	Da 0% a 75% senza condensazione
Temperatura di immagazzinaggio	Da -20 a 65 °C (-4 a 150 °F) (pila non installata)
Visualizzazione temperatura	°C o °F selezionabile
Tenuta dati sul display	8 sec
Visualizzazione temperatura MAX/MIN	√
Visualizzazione temperatura DIF/AVG	√

Interfaccia USB	✓
Posizioni di memoria	99
Allarme programmabile di alta e bassa lettura	✓
Misure con termocoppia di tipo K	✓
Doppio display a cristalli liquidi	✓
Retroilluminazione display	✓
Indicazione di bassa carica della pila	✓
Treppiede	✓
Alimentazione	Pila alcalina 6F22 da 9 V o adattatore di corrente Amprobe EPS-700-US (spina per gli Stati Uniti) o EPS-700-EUR (spina europea)
Durata della pila	10 ore con il laser e la retroilluminazione attivati 30 ore con il laser e la retroilluminazione disattivati
Dimensioni (A x L x P)	Circa 183 x 147 x 57 mm
Peso	Circa 345 g con la pila installata
Accessorio opzionale	Adattatore di corrente EPS-700-US (spina per gli Stati Uniti), EPS-700-EUR (spina europea)

MANUTENZIONE

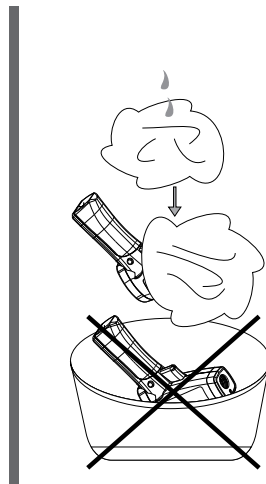
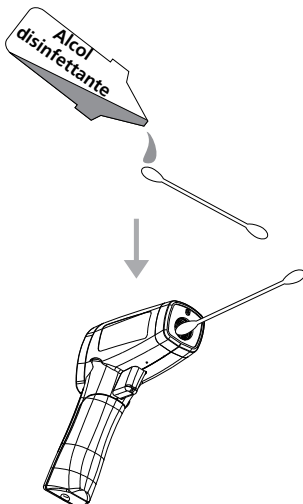
Pulizia della lente – Ripulire la lente dalle particelle non attaccate usando aria compressa pulita. Eliminare le particelle rimaste passando delicatamente sulla lente un pennello con setole di cammello. Passare con cautela sulla superficie un tamponcino di cotone inumidito con acqua o alcol disinfettante.

NOTA: NON utilizzare solventi per pulire la lente di plastica.


Pulizia dell'involucro – Usare una spugna o un panno morbido inumiditi con acqua e sapone.

Attenzione.

Non immergere lo strumento in acqua.



RICERCA GUASTI

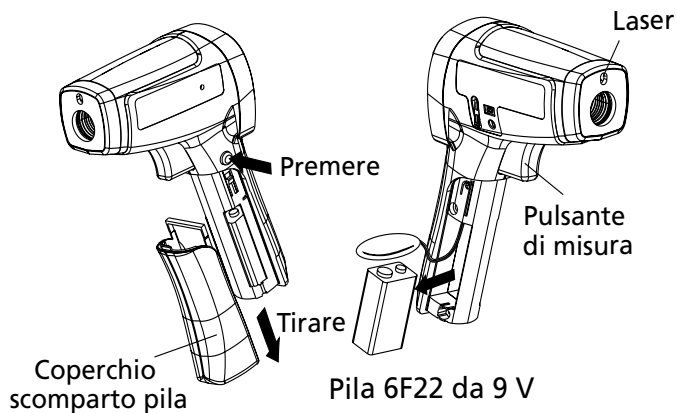
Segnalazione	Problema	Intervento
OL	La temperatura dell'oggetto è maggiore della portata dello strumento.	Scegliere un oggetto che rientri nelle specifiche.
-OL	La temperatura dell'oggetto è minore della portata dello strumento.	Scegliere un oggetto che rientri nelle specifiche.
Indicazione di bassa carica della pila 	Pila quasi scarica	Controllare la pila e/o sostituirla.
Display vuoto.	La pila potrebbe essere completamente scarica.	Controllare la pila e/o sostituirla.
Il laser non funziona	1. Pila quasi scarica o esausta 2. Temperatura ambiente maggiore di 40 °C (104 °F)	1. Sostituire la pila. 2. Usare lo strumento in un ambiente a temperatura inferiore.
Il segnale acustico viene emesso continuamente	Controllare se è stato impostato l'allarme di alta/bassa lettura e se il valore misurato è oltre il limite.	Reimpostare l'allarme di alta/bassa lettura o annullare il limite impostato.

SOSTITUZIONE DELLA PILA

Per installare o sostituire la pila da 9 V, procedere come segue:

1. Premere il pulsante e tirare l'impugnatura verso il basso per esporre lo scomparto della pila.
2. Inserire la pila, osservando la giusta polarità.
3. Riposizionare il coperchio della pila.

Alimentazione: pila alcalina 6F22 da 9 V o equivalente.





IR-750

IR-750-EUR

Termómetro IR 50:1 con memoria

Manual de uso

Español

Garantía limitada y limitación de responsabilidades

Su producto de Amprobe está garantizado contra defectos de material y mano de obra durante 1 año a partir de la fecha de compra, salvo que la legislación de su país estipule lo contrario. Esta garantía no cubre fusibles, baterías desechables, ni daños derivados de accidentes, negligencia, uso indebido, alteración, contaminación o condiciones anormales de uso o manipulación. Los revendedores no están autorizados a extender ninguna otra garantía en nombre de Amprobe. Para obtener servicio durante el período de garantía, devuelva el producto acompañado del comprobante de compra a un centro de servicio de Amprobe Test Tools autorizado o a un concesionario o distribuidor de Amprobe. Consulte el apartado Reparación para obtener información más detallada. ESTA GARANTÍA CONSTITUYE SU ÚNICO RECURSO. TODAS LAS DEMÁS GARANTÍAS, TANTO EXPRESAS COMO IMPLÍCITAS O ESTATUTARIAS, INCLUIDAS LAS GARANTÍAS IMPLÍCITAS DE IDONEIDAD PARA UN PROPÓSITO DETERMINADO O DE COMERCIABILIDAD, QUEDAN POR LA PRESENTE DENEGADAS. EL FABRICANTE NO SERÁ RESPONSABLE DE LOS DAÑOS O PÉRDIDAS ESPECIALES, INDIRECTOS, CONTINGENTES O RESULTANTES, QUE SE DERIVEN DE CUALQUIER CAUSA O TEORÍA. Debido a que determinados estados o países no permiten la exclusión o limitación de una garantía implícita o de los daños contingentes o resultantes, esta limitación de responsabilidad puede no regir para usted.

Reparación

Todas las herramientas de prueba que se devuelvan para su reparación, cubierta o no por garantía, o para su calibración, deben ir acompañadas de lo siguiente: su nombre, el nombre de su empresa, el domicilio, el número de teléfono y el comprobante de compra. Además, incluya una breve descripción del problema o del servicio solicitado y adjunte los conductores de prueba del medidor. La reparación fuera de garantía o los cargos de sustitución deben remitirse en la forma de cheque, giro postal, tarjeta de crédito con fecha de vencimiento u orden de compra pagadera a Amprobe® Test Tools.

Reparaciones y sustituciones cubiertas por la garantía – Todos los países

Sírvase leer la declaración de garantía y compruebe las baterías antes de solicitar la reparación. Durante el período de garantía, toda herramienta de prueba defectuosa puede devolverse al distribuidor de Amprobe® Test Tools para cambiarla por otra igual o por un producto similar. Consulte el apartado "Where to buy" en www.amprobe.com para ver una lista de distribuidores locales. Asimismo, las unidades de reparación en garantía y las unidades de reemplazo en los Estados Unidos y Canadá también pueden enviarse al Centro de servicio Amprobe® Test Tools (consulte la dirección más abajo).

Reparaciones y sustituciones no cubiertas por la garantía – Estados Unidos y Canadá

Las reparaciones fuera de la garantía en los Estados Unidos y Canadá deben enviarse a un Centro de servicio de Amprobe® Test Tools. Llame a Amprobe® Test Tools o pregunte en su punto de compra para conocer las tarifas actuales de reparación y sustitución de productos.

En Estados Unidos

Amprobe Test Tools

Everett, WA 98203

Tel.: 877-AMPROBE (267-7623)

En Canadá

Amprobe Test Tools

Mississauga, Ontario L4Z 1X9

Tel.: 905-890-7600

Reparaciones y sustituciones no cubiertas por la garantía – Europa

El distribuidor de Amprobe® Test Tools puede sustituir las unidades vendidas en Europa no cubiertas por la garantía por un coste nominal. Consulte el apartado "Where to buy" en www.amprobe.com para ver una lista de distribuidores locales.

Dirección para envío de correspondencia en Europa*

Amprobe® Test Tools Europe

Beha-Amprobe GmbH

In den Engematten 14

79286 Glottertal, Alemania

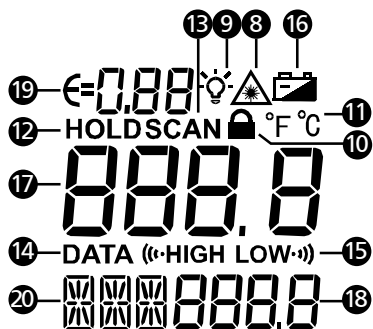
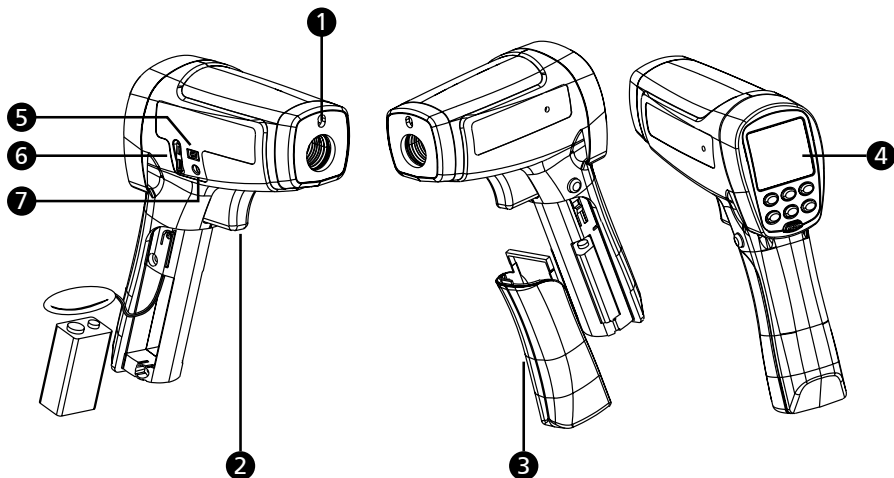
Tel.: +49 (0) 7684 8009 - 0

www.amprobe.eu

*(Correspondencia solamente. En esta dirección no se proporcionan reparaciones ni sustituciones de productos. Los clientes europeos deben ponerse en contacto con su distribuidor).






ÍNDICE

SÍMBOLOS	3
INFORMACIÓN DE SEGURIDAD	3
DESEMBALAJE E INSPECCIÓN	4
FUNCIONES	4
CÓMO FUNCIONA EL TERMÓMETRO	4
UTILIZACIÓN DEL TERMÓMETRO	4
Medición de temperatura	4
Localización de puntos fríos o calientes.....	8
Distancia y tamaño de punto	8
Campo visual	8
Emisividad.....	9
Recordatorios	9
MEDICIONES TÍPICAS	10
SOFTWARE DEL IR-750 / IR-750-EUR	13
ESPECIFICACIONES	17
MANTENIMIENTO	18
RESOLUCIÓN DE PROBLEMAS	19
CAMBIO DE LA BATERÍA	19



- 1 Abertura del láser
- 2 Gatillo
- 3 Cubierta de la batería
- 4 Pantalla
- 5 Conector USB
- 6 Conector de termopar de tipo K
- 7 Conector de adaptador de alimentación (para accesorio opcional)
- 8 Símbolo de láser encendido
- 9 Retroiluminación de la pantalla
- 10 Bloqueo de la medición (medición continua)
- 11 Unidad de temperatura (Centígrados / Fahrenheit)
- 12 Retención automática de 8 segundos en pantalla
- 13 Realización de medidas (apretando el gatillo)
- 14 Memoria integrada con 99 lecturas
- 15 Alarma superior e inferior programable
- 16 Indicador de batería con poca carga
- 17 Pantalla principal
- 18 Pantalla secundaria
- 19 Emisividad (ajustable de 0,10 a 1,00)
- 20 Valores de temperaturas MAX, MIN, DIF, AVG
Configuración de temperatura HAL, LAL
Selección de puntos de datos (DATA)
Medición T-C con termopar de tipo K

SÍMBOLOS

	¡Precaución! Consulte la explicación incluida en este manual.
	¡Advertencia! Luz láser. No mire directamente al haz láser.
°C	Centígrados
°F	Fahrenheit
	Indicación de batería.
	Cumple las directivas europeas.
	No elimine este producto como residuo municipal sin clasificar. Póngase en contacto con un reciclador cualificado.

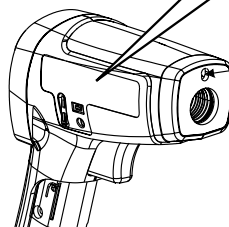
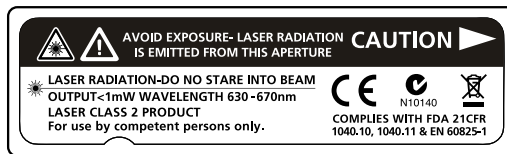
INFORMACIÓN DE SEGURIDAD

El instrumento cumple la siguiente normativa:

EN 61010-1, seguridad general

EN 60825-1, seguridad de láser

EN 61326-1, susceptibilidad y emisiones electromagnéticas



Abertura del láser

Advertencia

- No mire directamente al haz láser.
- No apunte con el láser directamente a los ojos ni de forma indirecta por medio de superficies reflectantes.
- Para uso exclusivo por personal competente.
- Cambie las baterías tan pronto como aparezca el indicador de batería con poca carga.
- Verifique el funcionamiento del medidor midiendo una tensión conocida. No utilice el termómetro si no está funcionando normalmente.
- No utilice el termómetro en áreas donde haya presencia de polvos, vapores o gases explosivos.
- Para evitar riesgos de quemadura o incendios, tenga en cuenta que los objetos reflectantes pueden estar mucho más calientes que la temperatura indicada en la pantalla.
- No deje el termómetro encima ni cerca de objetos muy calientes.
- Si el termómetro se utiliza de una manera diferente a lo especificado en este manual, la protección que ofrece puede verse afectada o puede producirse una exposición peligrosa a radiación láser.

Precauciones

Para evitar dañar el termómetro al realizar mediciones, protéjalo frente a lo siguiente:

- Campos electromagnéticos (EMF) de equipos de soldadura por arco, calefactores por inducción
- Electricidad estática
- Descarga térmica (causada por cambios intensos o bruscos en la temperatura ambiente; deje que transcurran 30 minutos para que el instrumento se estabilice antes de volver a utilizarlo)
- No deje el termómetro encima ni cerca de objetos muy calientes

DESEMBALAJE E INSPECCIÓN

La caja del producto debe contener lo siguiente:

- 1 Termómetro (IR-750 / IR-750-EUR)
- 1 Cable USB
- 1 Sonda de termopar tipo K
- 1 Bolsa para transporte
- 1 Estuche duro de transporte
- 1 Batería de 9 V (instalada)
- 1 Manual de uso

Si alguno de los artículos está dañado o no está en la caja, devuelva el producto completo a la tienda donde lo compró para cambiarlo.

FUNCIONES

El IR-750 / IR-750-EUR de Amprobe es un termómetro por infrarrojos de alta precisión con cociente de punto a distancia de 50:1 que ofrece un tiempo de respuesta y una exactitud sin igual en la medición de temperaturas del rango de -58 °F a 2822 °F o -50 °C a 1550 °C. El IR-750 / IR-750-EUR es idóneo para aplicaciones exigentes en control de calidad y procesos con una altísima precisión y un cociente de distancia a punto muy elevado. El IR-750 / IR-750-EUR incluye además reconocimiento para 99 puntos de datos, entradas para termopares y descarga con USB para aplicaciones avanzadas en calefacción, ventilación, aire acondicionado y refrigeración (HVAC/R), electricidad, mantenimiento industrial, automoción y control de calidad y prevención de incendios.

- Cociente de distancia a punto de 50:1
- Rango de temperaturas de -58 °F a 2822 °F o -50 °C a 1550 °C
- Precisión, exactitud y respuesta rápida
- Puntero láser, pantalla LCD doble con retroiluminación
- Retención automática de la lectura y memoria MAX/MIN
- Emisividad ajustable para medición de diferentes materiales
- 99 registros de memoria (se incluye cable para descarga a PC)

CÓMO FUNCIONA EL TERMÓMETRO

Los termómetros por infrarrojos miden la temperatura superficial de un objeto. Los componentes ópticos del termómetro detectan la energía emitida, reflejada y transmitida, que se recoge y se enfoca en un detector. Los componentes electrónicos de la unidad traducen la señal en una lectura de temperatura que se muestra en la pantalla de la unidad.

UTILIZACIÓN DEL TERMÓMETRO

Medición de temperatura

El termómetro se enciende al apretar el gatillo, y se apaga si no se detecta ninguna actividad durante 8 segundos.

Para medir la temperatura, apunte con el termómetro a un objeto y apriete el gatillo. Puede utilizar el puntero láser como ayuda para orientar el termómetro. Mantenga apretado el gatillo mientras mide la superficie del objeto. Al soltar el gatillo, la pantalla mantendrá la lectura durante 8 segundos. Tenga siempre en cuenta el cociente entre distancia y tamaño del punto, así como el campo visual. El láser se utiliza exclusivamente para apuntar, y no tiene nada que ver con la medición de temperaturas.

El termómetro incluye una función de apagado automático que lo apaga automáticamente tras 8 segundos de inactividad. Para encender el termómetro, apriete el gatillo.



Posiciones del mando giratorio

Botón	Descripción
Botón AMARILLO	Pulse el botón AMARILLO para alternar entre las opciones MAX, MIN, DIF, AVG, HAL, LAL, DATA y T-C. Cuando el termómetro pase al modo de reposo, pulse MODE para volver a encenderlo y ver el resultado de la última medición.
SET	Pulse este botón para configurar, respectivamente, la emisividad, el bloqueo del gatillo y la unidad de medida °C / °F. Encontrará información más detallada en las secciones de emisividad, bloqueo del gatillo y selección de °C / °F.
	Pulse para encender o apagar la retroiluminación de la pantalla. Los dos niveles distintos de intensidad de la pantalla se adaptan a las diferentes condiciones lumínicas.
	Pulse para encender y apagar la luz del láser. El símbolo indica en la pantalla que el láser está encendido.
	<p>Cuando el termómetro pase al modo de configuración (SET), pulse o para seleccionar una opción de configuración (emisividad, bloqueo de gatillo, selección de °C / °F).</p> <p>Cuando el termómetro pase al modo HAL, LAL y DATA, pulse o para seleccionar una opción de configuración (emisividad, bloqueo de gatillo, selección de °C / °F).</p>

Láser

Precauciones

Para evitar lesiones, no apunte con el láser directamente a los ojos ni de forma indirecta por medio de superficies reflectantes.

El termómetro está equipado con láser; utilícelo exclusivamente para apuntar. El láser se apaga al soltar el gatillo.

Para activar o desactivar el láser:

1. Pulse el botón para activar o desactivar el láser: cuando está activado el láser, aparece un símbolo en la pantalla.

Configuración de emisividad

1. Pulse el botón SET para seleccionar la configuración de la emisividad; el icono parpadeará en la pantalla.
2. Pulse para aumentar el valor en 0,01. Mantenga pulsado para una configuración rápida. El valor máximo es de 1,00.
3. Pulse para reducir el valor en 0,01. Mantenga pulsado para una configuración rápida. El valor mínimo es de 0,01.
4. Pulse el botón MODE para terminar de configurar el bloqueo del gatillo y salir, o el botón SET para completar la configuración y pasar a ajustar las unidades de medición en °C / °F.

Nota: La emisividad predeterminada es del 0,95.

Tabla de emisividad de superficies


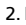

Superficie medida	Configuración
METALES	
Aluminio	
Oxidado	0,2 – 0,4
Aleación A3003	
Oxidada	0,3
Desbastada	0,1 – 0,3
Latón	
Bruñido	0,3
Oxidado	0,5
Cobre	
Oxidado	0,4 – 0,8
Bloques de terminales eléctricos	0,6
Haynes	
Aleación	0,3 – 0,8
Inconel	
Oxidado	0,7 – 0,95
Lijado con chorro de arena	0,3 – 0,6
Electropulido	0,15
Hierro	
Oxidado	0,5 – 0,9
Herrumbroso	0,5 – 0,7
Hierro colado	
Oxidado	0,6 – 0,95
Sin oxidar	0,2
Fundido	0,2 – 0,3
Hierro pudelado	
Mate	0,9
Plomo	
Basto	0,4
Oxidado	0,2 – 0,6
Molibdeno	
Oxidado	0,2 – 0,6
Níquel	
Oxidado	0,2 – 0,5
Platino	
Negro	0,9
Acero	
Laminado en frío	0,7 – 0,9
Chapa de acero molido	0,4 – 0,6
Chapa pulida	0,1
Cinc	
Oxidado	0,1

Superficie medida	Configuración
NO METALES	
Amianto	0,95
Asfalto	0,95
Basalto	0,7
Carbono	
Sin oxidar	0,8 – 0,9
Grafito	0,7 – 0,8
Carborundo	0,9
Cerámica	0,95
Arcilla	0,95
Hormigón	0,95
Tela	0,95
Vidrio	
Placa	0,85
Gravilla	0,95
Yeso	0,8 – 0,95
Hielo	0,98
Caliza	0,98
Papel (cualquier color)	0,95
Plástico	
Opaco	0,95
Tierra	0,9 – 0,98
Agua	0,93
Madera (natural)	0,9 – 0,95

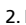
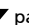
Bloqueo del gatillo

El gatillo del termómetro puede bloquearse para realizar mediciones continuas.

Para bloquear el gatillo:

1. Pulse el botón **SET** para seleccionar el bloqueo del gatillo; el icono  parpadeará en la pantalla.
2. Pulse  o  para seleccionar ON u OFF.
3. Pulse el botón **MODE** para terminar de configurar el bloqueo del gatillo y salir, o el botón **SET** para completar la configuración y pasar a ajustar las unidades de medición en °C / °F.

Configuración de °C / °F

1. Pulse el botón **SET** para seleccionar la configuración de °C / °F; el icono °C o °F parpadeará en la pantalla.
2. Pulse  o  para seleccionar °C o °F.
3. Pulse el botón **AMARILLO** para realizar la configuración de °C / °F y salir.

MAX, MIN, DIF, AVG

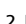

En cada lectura, el termómetro puede medir las siguientes temperaturas: máxima (MAX), mínima (MIN), diferencial (DIF) o promedio (AVG). Estos valores pueden medirse por infrarrojos.

1. Pulse el botón **AMARILLO** hasta que aparezcan los indicadores **MIN, MAX, AVG** o **DIF** en la pantalla.
2. Mantenga apretado el gatillo mientras apunta a la superficie que se va a medir.
3. El valor aparecerá en la pantalla secundaria.

Alarma superior (HAL) y alarma inferior (LAL)

El termómetro tiene una alarma superior e inferior programable para designar lecturas altas o bajas en función de los umbrales que se especifiquen. La alarma sonará cuando se alcancen los niveles correspondientes. Esta función no está disponible en las mediciones realizadas con termopar.

Para definir las alarmas superior o inferior:

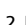

1. Pulse el botón **AMARILLO** para seleccionar la opción **HAL** o **LAL**.
2. Pulse  o  para ajustar el valor del umbral.
3. Pulse el botón **SET** para completar la configuración. Aparecerá en la pantalla el símbolo **(HIGH o LOW)**.

Para apagar la alarma superior o inferior:

1. Pulse el botón **AMARILLO** para seleccionar la opción **HAL** o **LAL**.
2. Pulse el botón **SET**. Si en la pantalla no aparece el símbolo **(HIGH o LOW)**, significa que las alarmas inferior o superior están apagadas.

Memoria de datos (DATA)

El termómetro permite almacenar 99 lecturas, y los datos almacenados pueden descargarse con ayuda del software del IR-750 / IR-750-EUR. Para guardar los datos:

1. Pulse el botón **AMARILLO** para seleccionar la opción **DATA**.
2. Pulse  o  para seleccionar el número de registro de los datos.
3. Mantenga presionado el gatillo mientras apunta hacia la superficie deseada. Presione el botón **DATA (DATOS)** para guardar el valor de medición.

Para eliminar los datos guardados, cuando el termómetro se encuentra en el modo de espera (pantalla apagada), mantenga presionado el botón **"DATA (DATOS)"** y **"▼"** mientras presiona el gatillo hasta que escuche un pitido. Los registros de datos de la pantalla aparecen como **"----"**, lo que indica que se eliminaron todos los datos guardados.

Medición con el termopar de tipo K

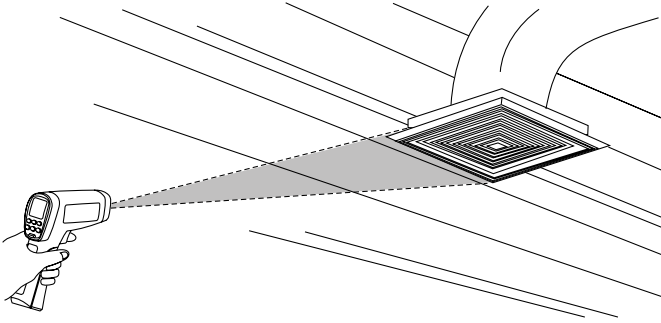
  *Para evitar descargas eléctricas o lesiones personales, no conecte la sonda de contacto del termopar a circuitos que porten electricidad.*

El termómetro incluye una sonda de termopar de tipo K globular. El termopar de tipo K se conecta al termómetro mediante la toma de TC-K incluida en el lateral derecho del termómetro. La sonda puede utilizarse al mismo tiempo que se realizan mediciones sin contacto con el termómetro.

1. Pulse el botón **AMARILLO** para pasar a la medición con termopar (T-C). La pantalla muestra el mensaje **OL** antes de realizar la medición.
2. Conecte el termopar de tipo K al termómetro mediante la toma de TC-K incluida en el lateral derecho del termómetro. Pulse el gatillo para empezar a medir. La pantalla secundaria indica la lectura de medición.
3. Suelte el gatillo; la lectura permanece en la pantalla durante 8 segundos.

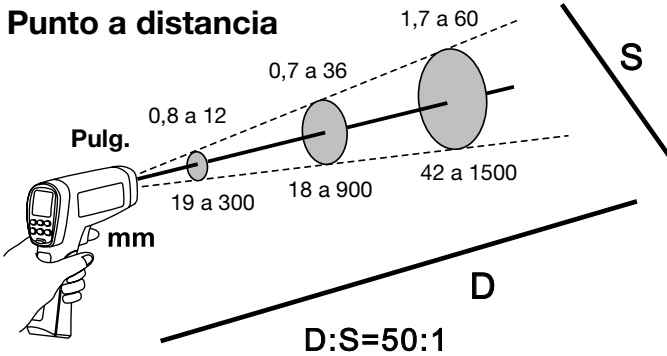
Localización de puntos fríos o calientes

Para buscar un punto frío o caliente, apunte el termómetro fuera de la zona de medición. Seguidamente, barra la zona de arriba a abajo lentamente hasta localizar el punto frío o caliente.



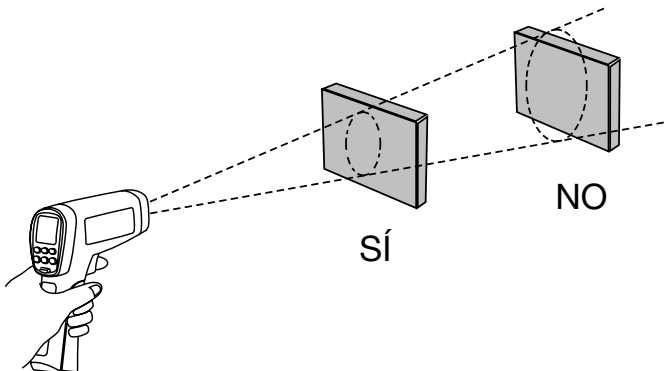
Distancia y tamaño de punto

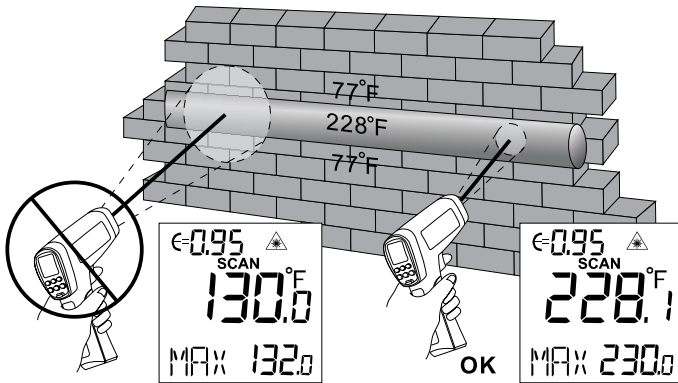
A medida que aumenta la distancia (D) desde el objetivo medido, se agranda el tamaño del punto (S) del área medida por el instrumento. El tamaño del punto indica el 90% de la energía incluida en el círculo.



Campo visual

Asegúrese de que el objetivo medido sea mayor que el tamaño del punto. Cuando menor sea el objetivo, más cerca del objeto deberá situarse.





Emisividad

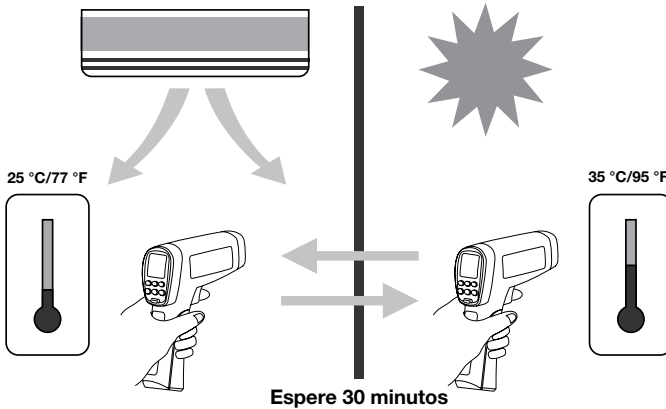
La emisividad describe las características de emisión de energía de los materiales. La mayoría de los materiales orgánicos y las superficies pintadas u oxidadas tienen una emisividad de 0,95. Si es posible, para compensar la inexactitud en las lecturas resultante de medir superficies metálicas brillantes, cubra con cinta de pintor o con pintura negra mate la superficie que se va a medir (< 150 °C / 302 °F) y utilice el ajuste de alta emisividad. Espere a que la cinta o la pintura alcancen la misma temperatura que la superficie subyacente. Mida la temperatura de la cinta o de la superficie pintada.

Si no puede utilizar pintura o cinta, quizás pueda mejorar la exactitud de las mediciones mediante el selector de emisividad. Incluso con el selector de emisividad, puede resultar difícil conseguir una medición completamente exacta en infrarrojos si la superficie medida es brillante o metálica.

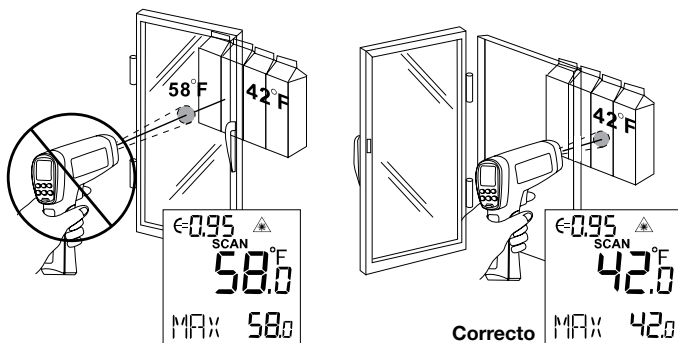
El termómetro permite ajustar la emisividad del tipo de superficie antes de realizar la medición. Consulte la tabla de emisividad de superficies. Pero se trata solamente de un caso típico. Puede tomar como referencia su propio caso y los materiales en cuestión para utilizar otra configuración.

Recordatorios

1. Los cambios en la temperatura ambiente circundante pueden afectar a la exactitud de las lecturas; deje tiempo para que el instrumento se adapte a un cambio de ambiente antes de utilizarlo. La exactitud especificada se consigue a los 30 minutos de un cambio del instrumento a condiciones ambientales diferentes.



2. El instrumento no puede realizar mediciones a través de superficies transparentes como el vidrio. En tal caso, la temperatura que se medirá será la de la superficie del vidrio.



3. Consulte la tabla de emisividad de superficies para su uso en la medición de superficies metálicas brillantes o pulidas (acero inoxidable, aluminio, etc.).
4. La presencia de vapor, polvo, humo, etcétera, puede obstruir la óptica del instrumento e impedir la realización de mediciones exactas.

MEDICIONES TÍPICAS

En esta sección se describen varias mediciones que suelen realizar los técnicos.

Recordatorio:

- El usuario puede optar por encender o apagar la iluminación de la pantalla y el láser mientras se realizan mediciones con el termómetro.
- Una emisividad relativamente alta suele indicar una configuración de aproximadamente el 0,95.
- Una emisividad relativamente baja suele indicar una configuración de aproximadamente el 0,30.
- Si el usuario no puede identificar la emisividad del objeto que se va a medir, puede cubrir la superficie (temperatura > 150 °C) con cinta aislante negra (emisividad de aproximadamente el 0,95). Deje que transcurra suficiente tiempo para que la cinta alcance la misma temperatura que el objeto que se va a medir. Mida y registre la temperatura de la cinta.

Dirija el termómetro al objeto que se va a medir y ajuste la emisividad para que la temperatura sea la misma que la de la cinta. En ese momento, la emisividad del termómetro será próxima a la del objeto que se va a medir, y la medición podrá comenzar.

Comprobación de contactores (motores de arranque)

1. Pulse **SET** para seleccionar la emisividad. Pulse ▲ / ▼ para seleccionar una emisividad relativamente baja si los contactos son brillantes, o de nivel medio (0,7) si los contactos están oscurecidos.
2. Pulse el botón **AMARILLO** para seleccionar la opción **DATA**.
3. Mida la línea y el lado de carga de un polo sin soltar el gatillo.
4. Una diferencia en temperatura entre los lados de línea y de carga de un polo indica un aumento de la resistencia en algún punto, y es posible que un contactor esté averiado.

Comprobación de relés encerrados

1. Pulse **SET** y luego pulse ▲ / ▼ para definir una emisividad relativamente baja si se trata de conectores sin aislamiento, o relativamente alta en el caso de relés encerrados, relés encerrados en baquelita o conectores aislados.
2. Pulse el botón **AMARILLO** para seleccionar la opción **MAX**.
3. Inicie el barrido.
4. Mida la carcasa del relé en busca de puntos calientes.
5. Mida las conexiones eléctricas de los terminales del relé en busca de puntos calientes.

Comprobación de fusibles y de conexiones en conductores eléctricos

1. Pulse **SET** y luego pulse ▲ / ▼ para ajustar la emisividad en un valor relativamente alto para la carcasa cubierta de papel del fusible o para las conexiones aisladas.
2. Pulse el botón **AMARILLO** para seleccionar la opción **MAX**.
3. Mida el tramo del fusible que está cubierto en papel.
4. Sin soltar el gatillo, mida todos los fusibles uno a uno. La diferencia de temperatura entre fusibles puede indicar desequilibrios en tensión o amperaje.
5. Pulse **SET** y luego ▲ / ▼ para configurar una emisividad relativamente baja para los fusibles metálicos y sus fulminantes, así como para conexiones de conductores eléctricos aisladas.
6. Pulse **MODE** para seleccionar **MAX**.
7. De uno en uno, mida todos los fulminantes de todos los fusibles.

Nota: La presencia de temperaturas diferentes o elevadas indica que hay conexiones sueltas o corroídas en el clip de resorte de las conexiones eléctricas de los fusibles.

Comprobación de conexiones eléctricas

1. Pulse **SET** y luego ▲ / ▼ para configurar una emisividad relativamente baja si se trata de conexiones de conductores eléctricos o conectores sin aislamiento, o relativamente alta en el caso de conexiones aisladas.

Nota: Los conductores suelen ser más pequeños que el tamaño de punto del termómetro. Si el punto es mayor que el conector, la lectura de la temperatura indica el promedio en el interior del punto.

2. Barra el conductor, desplazándolo en dirección del conector eléctrico (conector rápido, conectores de cables con rosca, conexiones de conductores eléctricos, etc.).

Barrido de paredes en busca de fugas de aire o deficiencias en aislamientos

1. Apague la calefacción, la refrigeración y los sistemas de soplado.
2. Pulse **SET** para seleccionar la emisividad. Pulse ▲ / ▼ para seleccionar una emisividad relativamente alta si se trata de superficies pintadas o ventanas.
3. Pulse el botón **AMARILLO** para seleccionar **MIN** si el otro lado de la pared tiene una temperatura inferior, y seleccione **MAX** si la temperatura es superior al otro lado de la pared.
4. Mida la temperatura en la superficie de un tabique interior.
5. No suelte el gatillo. Registre esta temperatura como referencia para una pared con aislamiento "perfecto".
6. Colóquese de cara a la pared que desea barrer. Aléjese a 1,5 m para barrer un punto de 4 cm en la pared.
7. Barra la pared en tiras horizontales de arriba a abajo, o el techo en tiras horizontales de pared a pared. Busque las mayores desviaciones respecto a la temperatura de referencia para identificar problemas. Así es cómo se realiza un barrido de comprobación de aislamiento.

Encienda el sistema de soplado (sin calefacción ni refrigeración) y repita la comprobación. Si los resultados son diferentes con el sistema de soplado encendido, esto es indicio de fugas de aire en las paredes circundantes del área acondicionada. Las fugas de aire se deben a fugas en los conductos que crean un diferencial de presión en el entorno del espacio acondicionado.

Comprobación de rodamientos

Advertencia

Para evitar lesiones al comprobar rodamientos:

1. *Quítese la ropa suelta, joyas, o cualquier cosa que lleve en el cuello cuando trabaje cerca de piezas móviles como motores, correas, sistemas de soplado y ventiladores.*
2. *Asegúrese de tener al alcance de la mano un interruptor de desconexión eléctrica que funcione bien y sin trabas.*
3. *No trabaje solo.*

Nota: La mejor forma de realizar las comprobaciones consiste en comparar dos motores iguales sometidos a la misma carga de trabajo.

1. Pulse **SET** y luego pulse ▲ / ▼ para seleccionar una emisividad relativamente alta.
2. Pulse **SELECT** para seleccionar **MAX**.
3. Encienda el motor y deje que alcance la temperatura de funcionamiento a régimen continuo.
4. Si es posible, apague el motor.

5. Mida las dos temperaturas de los rodamientos del motor.
6. Compare las dos temperaturas de los rodamientos del motor. Si las temperaturas son diferentes o si se mide una temperatura elevada, puede haber un problema de lubricación o de otro tipo causado por un exceso de fricción.
7. Repita la secuencia con los rodamientos del sistema de soplado.

Comprobación de correas y poleas

1. Pulse **SET** y luego pulse ▲ / ▼ para seleccionar una emisividad relativamente alta.
2. Pulse **SELECT** para seleccionar **MAX**.
3. Encienda el motor y deje que alcance la temperatura de funcionamiento a régimen continuo.
4. Apunte el termómetro a la superficie que se va a medir.
5. Empiece a registrar la temperatura.
6. Desplace lentamente el termómetro a lo largo de la correa hasta la segunda polea.
 - Si la correa patina, la temperatura de la polea será elevada a causa de la fricción.
 - Si la correa patina, la temperatura de la correa será elevada entre las poleas.
 - Si la correa no patina, bajará la temperatura de la correa entre las poleas.
 - Si las superficies internas de las poleas no tienen una forma de "V" verdadera, es señal de que la correa patina, y seguirá funcionando a temperaturas elevadas mientras no se cambie la polea.
 - Es necesario que las poleas estén correctamente alineadas (incluida la inclinación vertical y horizontal) para que las correas y las poleas funcionen a temperaturas adecuadas. Puede utilizar un borde recto o un cordón tensado para comprobar la alineación.
 - La polea del motor deberá funcionar a una temperatura adecuada para las poleas del sistema de soplado.
 - Si la polea del motor tiene una temperatura más elevada en el árbol del motor que en su circunferencia exterior, es probable que la correa no esté patinando.
 - Si la circunferencia exterior de la polea tiene una temperatura superior a la de la polea en el árbol del motor, es probable que la correa esté patinando y que las poleas no estén bien alineadas.

Comprobación de aplicaciones de calefacción con radiadores de agua

1. Pulse **SET** y luego pulse / para seleccionar una emisividad relativamente alta.
2. Pulse el botón **AMARILLO** para seleccionar la opción **MAX**.
3. Para localizar la posición de las tuberías de agua caliente en el suelo, eleve temporalmente la temperatura del circuito para generar puntos más calientes que ayuden a identificar por dónde van las tuberías.
4. Antes de soltar el gatillo, pulse el botón **AMARILLO** para alternar entre las temperaturas **MIN**, **MAX**, **DIF** de suelo, y registre las mediciones para compararlas y descubrir tendencias en situaciones similares.

Medición de la temperatura emitida en rejillas, registros o difusores

1. Pulse **SET** y luego pulse ▲ / ▼ para seleccionar una emisividad relativamente alta.
2. Apunte el termómetro directamente a la rejilla de ventilación, registro o difusor.
3. Mida la temperatura de descarga.
4. Suelte el gatillo para congelar la lectura de la temperatura durante 8 segundos y regístrela.
5. La temperatura de la rejilla, registro o difusor deberá ser equivalente a la temperatura de descarga en la unidad de tratamiento del aire.

Comprobación de obstrucciones en evaporadores aire-aire o condensadores

1. Quite los paneles para tener acceso al serpentín o a los codos de retorno.
2. Pulse **SET** y luego pulse ▲ / ▼ para seleccionar una emisividad relativamente alta (tubos de cobre).
3. Ponga en marcha el sistema de refrigeración.
4. Apunte el termómetro a los codos o al serpentín.
5. Empiece a registrar la temperatura.
6. Tome la temperatura en cada codo o vuelta de serpentín.

- Todos los codos o vueltas de serpentín del evaporador deberán tener una temperatura igual (o ligeramente superior) a la temperatura de saturación del evaporador conforme a la tabla de presiones y temperaturas.
- Todos los codos o vueltas de serpentín del condensador deberán tener una temperatura igual (o ligeramente inferior) a la temperatura de saturación del condensador.
- Si un grupo de codos o vueltas de serpentín no refleja las temperaturas previstas, significa que algún distribuidor o tubo de distribuidor está obstruido total o parcialmente.

SOFTWARE DEL IR-750 / IR-750-EUR

Requisitos del sistema

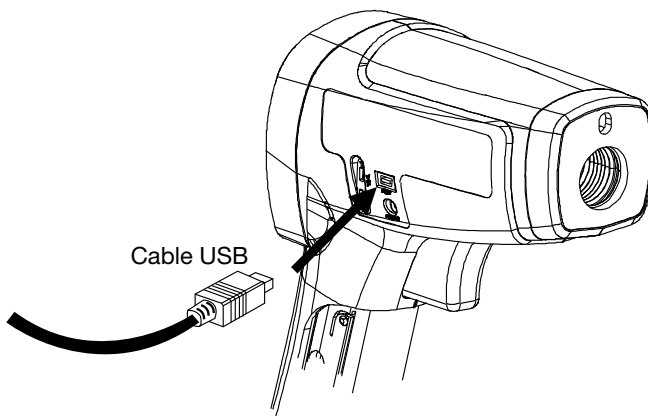
Configuración recomendada

Procesador	Pentium® 4 o superior, compatible con todos los sistemas operativos habituales
Sistema operativo	Microsoft Windows® 2000 / XP / Vista / Win7
Memoria	512 MB o más de RAM
Monitor	VGA (1024 x 768)
Unidad de disco	CD-ROM
Dispositivo de entrada	Ratón o dispositivo compatible
Interfaz	USB para transmisión de datos

Instalación del software del IR-750 / IR-750-EUR

- Inserte el CD que se proporciona en la unidad de CD-ROM.
- Haga doble clic en "IR-750_VX.XX.exe" (X puede ser de 0 a 9 o dejarse vacío, e indica la versión del software).
- Las ventanas emergentes le orientarán durante el proceso de instalación del programa.

Conexión del cable USB al termómetro IR-750 / IR-750-EUR



Pantalla principal

1 Record

2 Help

3 USB Connect

4 30.9 °C

5 Measurement No. Time Value Unit

Measurement No.	Time	Value	Unit
85	11:07:55	32.4	°C
86	11:07:57	32.4	°C
87	11:07:58	32.4	°C
88	11:07:58	32.3	°C
89	11:07:59	32.3	°C
90	11:08:01	32.3	°C
91	11:08:02	32.3	°C
92	11:08:03	32.3	°C
93	11:08:03	32.3	°C
94	11:08:05	32.3	°C
95	11:08:06	32.3	°C
96	11:08:06	32.1	°C
97	11:08:07	31.8	°C
98	11:08:09	31.6	°C
99	11:08:10	31.2	°C
100	11:08:11	30.9	°C
101	11:08:11	30.9	°C

6

- 1 **Record** : este comando permite crear, guardar y definir cifras de mediciones (1000, 5000, 10000, 50000, 100000 o sin límites).
- 2 **Help** : este comando permite ver las instrucciones de funcionamiento del software.
- 3 : Si parpadea, indica que el IR-750 / IR-750-EUR está conectado al software
- 4 Pantalla de medición principal
- 5 Pantalla secundaria para datos de medición
- 6 Datos de medición en gráfico

Uso del programa

USB Connect : este botón permite conectar el termómetro IR-750 / IR-750-EUR y empezar a medir. Haga clic en "USB Connect": cuando parpadea significa que el termómetro IR-750 / IR-750-EUR está correctamente conectado al PC, y empezará a tomar mediciones automáticamente. La pantalla principal muestra las temperaturas de la medición en curso, mientras que la pantalla secundaria muestra todos los datos de medición.

Download Data permite descargar los datos almacenados en el termómetro IR-750 / IR-750-EUR. Marque la opción "Download Data" y haga clic en "USB Connect" para que los datos almacenados se transfieran automáticamente al PC y a la pantalla secundaria.

Exit : permite salir del programa y cerrar

1

2

3

4

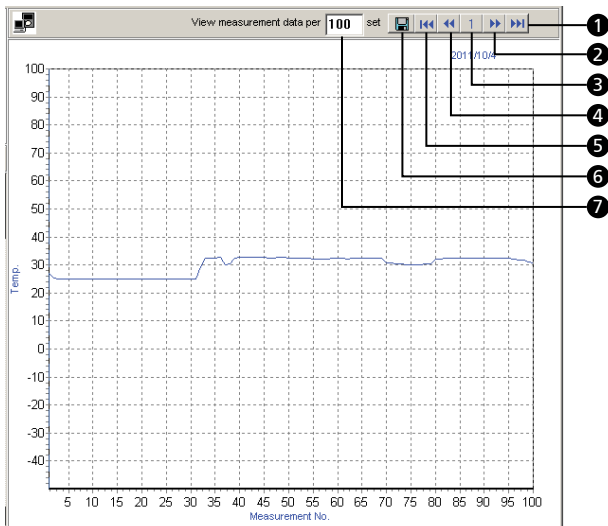
Measurement No.	Time	Value	Unit
1	11:06:32	27.1	°C
2	11:06:32	25.4	°C
3	11:06:33	25.1	°C
4	11:06:34	25.1	°C
5	11:06:36	25.1	°C
6	11:06:37	25.0	°C
7	11:06:38	25.0	°C
8	11:06:38	25.0	°C

- 1 Imprimir datos
- 2 Guardar datos (*.txt, *.xls, *.xml)
- 3 Abrir archivos (*.txt, *.xls, *.xml)
- 4 Eliminación de los datos vigentes y generación de nuevos datos.

Repeat: marque esta opción para mostrar todas las mediciones realizadas en el intervalo que defina. Si se quite la marca de la opción "Repeat", la pantalla secundaria mostrará únicamente los resultados de mediciones que sean diferentes de la última temperatura medida. La pantalla del gráfico muestra el resultado de la medición realizada independientemente de que esté marcada o no la opción "Repeat".

Sampling Interval permite definir la periodicidad de las mediciones (de 1 a 9999 segundos).


Nota: cuando la cantidad de datos medidos llega a 10000 conjuntos, aparecerá un mensaje en pantalla y se detendrán las mediciones. Guarde o borre los datos de medición antes de continuar con las mediciones.



- 1 Última página
- 2 Página siguiente
- 3 Página actual
- 4 Página anterior
- 5 Primera página
- 6 Guardar el gráfico de la página en formato *.bmp
- 7 Definir la cantidad de datos de mediciones que se incluyen en el gráfico

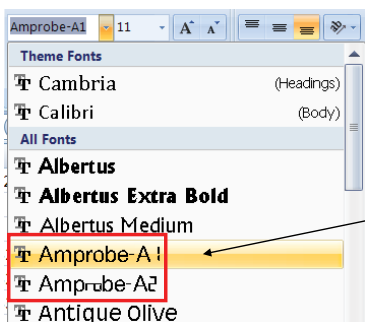
Informe de pruebas

Los datos de las comprobaciones pueden guardarse en los formatos *.txt, *.xls y *.xml haciendo clic en el botón

. Al abrir el informe de datos, asegúrese de elegir el formato de fuente Amprobe-A1 o Amprobe-A2 en la columna "Unit" para que la unidad de temperatura se muestre correctamente (°C o °F).

No	Time	Value	Unit
1	11:06:32	27.1	#
2	11:06:32	25.4	#
3	11:06:33	25.1	#
4	11:06:34	25.1	#
5	11:06:36	25.1	#
6	11:06:37	25	#
7	11:06:38	25	#
8	11:06:38	25	#

o ? indica que no se ha seleccionado la fuente correcta para la unidad de temperatura



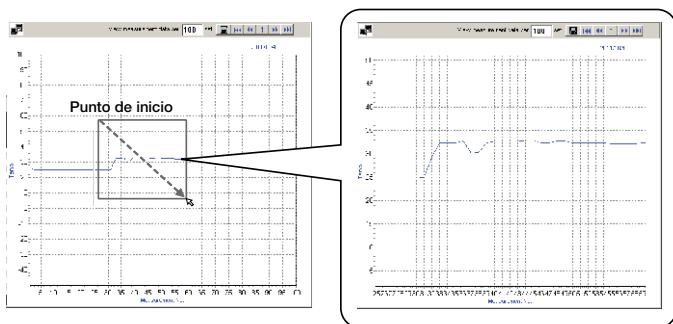
Seleccione Amprobe-A1 o Amprobe-A2 para ver las unidades de temperatura correctamente

No	Time	Value	Unit
1	11:06:32	27.1	°C
2	11:06:32	25.4	°C
3	11:06:33	25.1	°C
4	11:06:34	25.1	°C
5	11:06:36	25.1	°C
6	11:06:37	25	°C
7	11:06:38	25	°C
8	11:06:38	25	°C

Visualización correcta de unidades de temperatura

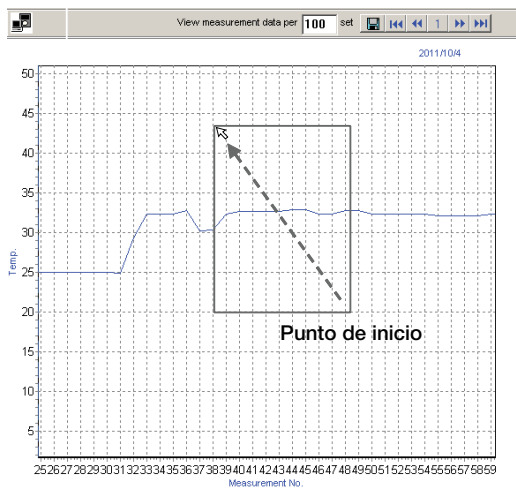
Zoom en gráfico seleccionado

Si desea ampliar una parte concreta del gráfico, utilice el puntero para seleccionar un área desde la esquina superior izquierda hasta la inferior derecha.



Puede utilizar el botón  para guardar el gráfico ampliado.

Para recuperar la vista completa original, utilice el puntero del ratón para seleccionar cualquier área del gráfico desde la esquina inferior derecha hasta la esquina superior izquierda.



ESPECIFICACIONES

Función	IR-750 / IR-750-EUR
Rango de temperatura	-50 °C a 1550 °C (-58 °F a 2822 °F)
Exactitud con temperatura ambiente de 23 °C a 25 °C (73 °F a 77 °F)	> 0 °C a 1550 °C (> 32 °F a 2822 °F): $\pm 1,8\%$ o $\pm 1,8$ °C (± 4 °F), el valor mayor de los dos (Típico) -35 °C a 0 °C (-31 °F a 32 °F): $\pm 1,8\% + 1$ °C (2 °F) o $\pm 2,8$ °C (± 6 °F), el valor mayor de los dos (Típico) -50 °C a -35 °C (-58 °F a -31 °F): no se especifica (sólo para referencia)
Repetibilidad	$\pm 0,5\%$ de la lectura o $\pm 0,5$ °C (± 1 °F), el valor mayor de los dos (Típico)
Resolución de la pantalla	0,1 °C / 0,1 °F de la lectura < 999,9 0,2 °C / 0,2 °F de la lectura por debajo de 10 °C (50 °F) 1 °C / 1 °F de la lectura > 999,9
Respuesta espectral	8 μm a 14 μm
Visibilidad del láser	Puntero láser de un haz
Potencia de láser	Salida > 1 mW clase 2, longitud de onda de 630 a 670 nm
Tiempo de respuesta (95%)	250 ms
Cociente de distancia a punto (D:S)	50:1
Tamaño de punto mínimo	19 mm
Emisividad	Ajuste digital de 0,10 a 1,00 en incrementos de 0,01 La emisividad preconfigurada es de 0,95
Temperatura ambiente de funcionamiento	0 °C a 50 °C 32 °F a 120 °F
Humedad relativa	0 % a 75 %, sin condensación
Temperatura de almacenamiento	-20 °C a 65 °C / -4 °F a 150 °F (sin la batería instalada)
Pantalla de temperatura	Selector °C / °F
Retención de datos	8 seg.
Pantalla de temperatura MAX/MIN	√

Pantalla de temperatura DIF/AVG (diferencia/promedio)	✓
Interfaz USB	✓
Almacenamiento de datos	99
Alarma superior e inferior programable	✓
Medición con el termopar de tipo K	✓
Pantalla LCD doble	✓
LCD retroiluminado	✓
Indicación de batería con poca carga	✓
Montura para trípode	✓
Alimentación	Batería alcalina de 9 V 6F22, o con adaptador Amprobe EPS-700-US (enchufe EE.UU.) o EPS-700-EUR (enchufe europeo)
Duración de la batería	10 horas con láser y retroiluminación de pantalla encendidos 30 horas con láser y retroiluminación de pantalla apagados
Dimensiones (Al x La x Pr)	Aproximadamente 183 x 147 x 57 mm (7,2 x 5,8 x 2,3 pulg.)
Peso	Aproximadamente 345 g (0,76 lb) con batería instalada
Accesorio opcional	Adaptador de alimentación EPS-700-US (enchufe EE.UU.), EPS-700-EUR (enchufe europeo)

MANTENIMIENTO

Limpieza de la lente: Utilice aire comprimido limpio para retirar partículas sueltas. Utilice un cepillo de pelo de camello para quitar con cuidado la suciedad residual. Frote suavemente la superficie con un bastoncillo de algodón humedecido. El bastoncillo puede humedecerse con agua o con alcohol isopropílico.

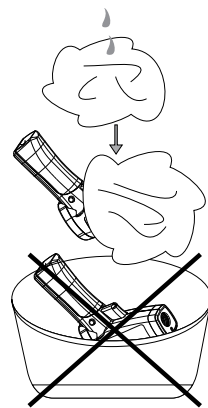
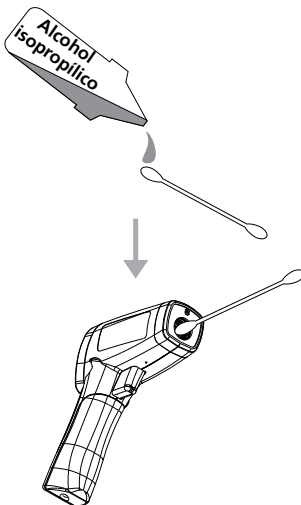
NOTA: NO utilice disolventes para limpiar la lente de plástico.

Limpieza de la carcasa: Utilice jabón y agua con una esponja húmeda o un paño suave.




¡Precaución!

No sumerja la unidad en agua.



RESOLUCIÓN DE PROBLEMAS

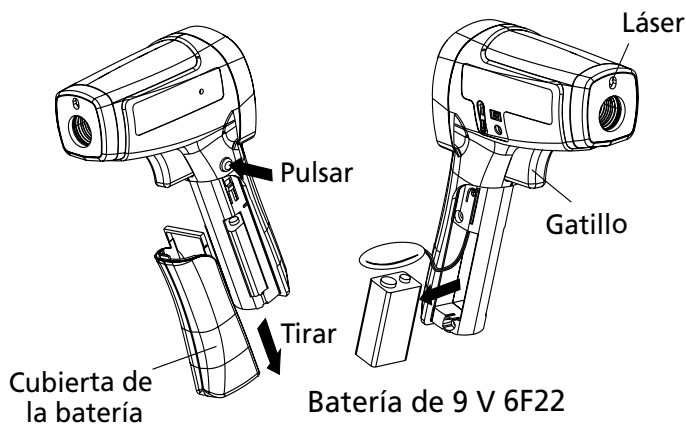
Código	Problema	Acción
OL	Temperatura del objetivo superior al rango	Seleccione un objetivo que cumpla las especificaciones
-OL	Temperatura del objetivo inferior al rango	Seleccione un objetivo que cumpla las especificaciones
Indicación de batería 	Poca carga	Compruebe la batería o cámbiela
La pantalla aparece vacía	Es posible que la batería esté agotada	Compruebe la batería o cámbiela
El láser no funciona	1. Queda poca o ninguna carga en la batería 2. Temperatura ambiente por encima de 40 °C (104 °F)	1. Cambie la batería 2. Use la unidad en un lugar con temperatura ambiente inferior
La unidad emite pitidos continuamente	Compruebe si está configurada la alarma superior/inferior ¿Queda el valor de la medición más allá del límite definido?	Cambie la definición de la alarma superior/inferior o cancele los límites establecidos

CAMBIO DE LA BATERÍA

Para instalar o cambiar una batería de 9 V (vea las instrucciones a continuación):

1. Pulse el botón y tire del mango hacia abajo para abrir la tapa de la batería.
2. Instale la batería, con cuidado de aplicar la polaridad correcta.
3. Vuelva a colocar la tapa de la batería.

Baterías: Batería alcalina de 9 V 6F22 o equivalente





IR-750

IR-750-EUR

50:1 IR-termometer med minne

Användarhandbok

Svenska

Begränsad garanti och ansvarsbegränsning

Denna Amprobe-produkt garanteras vara fri från felaktigheter i material och utförande i ett år från inköpsdatum om detta inte avviker från lokal lagstiftning. Denna garanti innefattar inte säkringar och engångsbatterier, och inte heller skador som uppkommer som en följd av olyckshändelser, försummelse, felaktig användning, ändring, förorening eller onormala förhållanden eller onormal hantering. Återförsäljare har inte rätt att lämna några ytterligare garantier å Amprobes vägnar. Om du behöver service under garantiperioden ska produkten, tillsammans med inköpsbevis, skickas in till ett auktoriserat Amprobe Test Tools Service Center eller till en återförsäljare eller distributör för Amprobe. Avsnittet Reparation innehåller uppgifter om detta. DENNA GARANTI UTGÖR DIN ENDA GOTTGÖRELSE. ALLA ANDRA GARANTIER – VARE SIG DESSA ÄR UTTRYCKLIGA, UNDERFÖRSTÅDDA ELLER LAGSTADGADE – INKLUSIVE UNDERFÖRSTÅDDA GARANTIER AVSEENDE LÄMPLIGHETEN FÖR ETT VISST SYFTE ELLER SÄLJBARHET, DEMENTERAS HÄRMED. TILLVERKAREN ÄR EJ ANSVARIG FÖR NÅGRA SÄRSKILDA SKADOR, INDIREKTA SKADOR, OFÖRUTSEDDA SKADOR ELLER FÖLJDSKADOR ELLER FÖRLUSTER, SOM UPPSTÅR PÅ GRUND AV NÅGON ORSAK ELLER TEORI. Vissa stater eller länder tillåter inte undantag eller begränsningar av underförstådda garantier eller tillfälliga skador eller följdskador, så denna ansvarsbegränsning gäller eventuellt inte dig.

Reparation

Alla mätverktyg som returneras för garantireparation eller reparation utanför garantin eller för kalibrering ska åtföljas av följande: ditt namn, företagets namn, adress, telefonnummer och inköpsbevis. Inkludera dessutom en kort beskrivning av problemet eller den begärda servicen och skicka också in i mätsladdarna tillsammans med mätaren. Betalning för reparation eller utbytesdelar som ej faller under garantin ska ske med check, postanvisning, kreditkort med utgångsdatum eller en inköpsorder med betalningsmottagare Amprobe® Test Tools.

Reparationer och utbyten under garanti – Alla länder

Läs garantiuttalandet och kontrollera batteriet innan du begär reparation. Defekta mätverktyg kan under garantiperioden returneras till din Amprobe® Test Tools-distributör för utbyte mot samma eller liknande produkt. Avsnittet "Where to Buy" på www.amprobe.com innehåller en lista över distributörer i närheten av dig. Om du befinner dig i USA eller Kanada och din enhet täcks av garanti kan du få den reparerad eller utbytt genom att skicka in den till ett Amprobe® Test Tools Service Center (se nedanstående adresser).

Reparationer och utbyten ej under garanti – USA och Kanada

Enheter som kräver reparation, men som ej täcks av garanti i USA och Kanada, ska skickas till ett Amprobe® Test Tools Service Center. Ring till Amprobe® Test Tools eller kontakta inköpsstället för att få uppgifter om aktuella kostnader för reparation och utbyte.

I USA

Amprobe Test Tools
Everett, WA 98203
Tel: 877-AMPROBE (267-7623)

I Kanada

Amprobe Test Tools
Mississauga, ON L4Z 1X9
Tel: 905-890-7600

Reparationer och utbyten ej under garanti – Europa

Enheter i Europa, som ej täcks av garanti, kan bytas ut av din Amprobe® Test Tools-distributör för en nominell kostnad. Avsnittet "Where to Buy" på www.amprobe.com innehåller en lista över distributörer i närheten av dig.

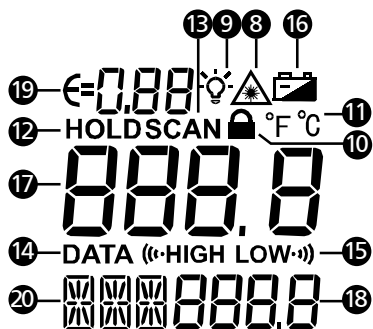
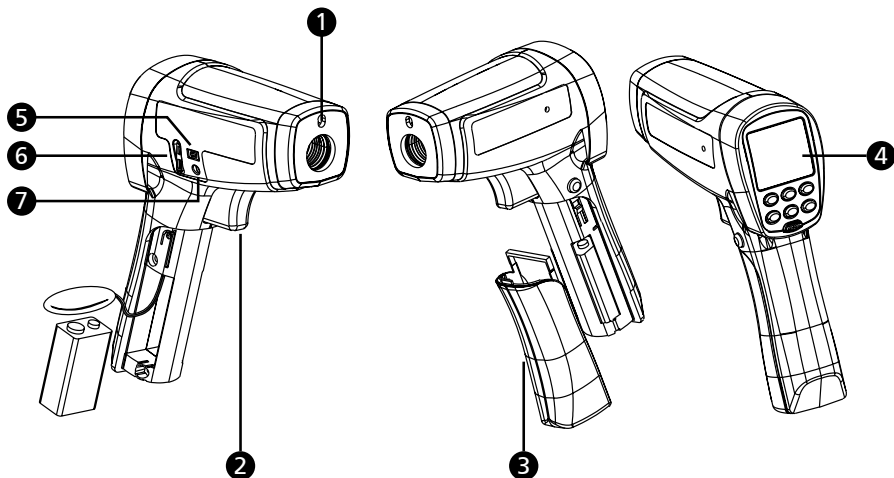
Adress för korrespondens i Europa*

Amprobe® Test Tools Europe
Beha-Amprobe GmbH
In den Engematten 14
79286 Glottertal, Tyskland
Tel: +49 (0) 7684 8009 - 0
www.amprobe.eu

*(Endast korrespondens – inga reparationer eller utbyten är tillgängliga från denna adress. Kunder i Europa ska kontakta respektive distributör.)





INNEHÅLL

SYMBOLER.....	3
SÄKERHETSINFORMATION	3
UPPACKNING OCH INSPEKTION	4
FUNKTIONER.....	4
HUR TERMOMETRARNA FUNGERAR.....	4
ANVÄNDA TERMOMETERN	4
Temperaturmätning.....	4
Hitta en het eller kall punkt.....	8
Avstånd och punktstorlek.....	8
Synfält.....	8
Strålningsstal	9
Kom ihåg.....	9
TYPISKA MÅTT	10
ANVÄNDA PROGRAMVARAN FÖR IR-750 / IR-750-EUR.....	13
SPECIFIKATIONER	17
UNDERHÅLL.....	18
FELSÖKNING	19
BYTA BATTERI.....	19



- 1 Laseröppning
- 2 Avtryckare
- 3 Batterilucka
- 4 Teckenfönster
- 5 USB-kontakt
- 6 Termokopplingsprob av typ K
- 7 Nätadapterkontakt (för valfritt tillbehör)
- 8 Symbol för laser "PÅ"
- 9 Bakgrundsbelysning
- 10 Mätningsslås (kontinuerlig mätning)
- 11 Temperaturenhet (Celsius/Fahrenheit)
- 12 8 sekunders automatisk låsning av teckenfönstret
- 13 Göra en mätning (trycka på avtryckaren)
- 14 Inbyggt minne för upp till 99 punkter
- 15 Programmerbart högt och lågt larm
- 16 Indikator för svaga batterier
- 17 Primärt teckenfönster
- 18 Sekundärt teckenfönster
- 19 Strålningstal (justerbart från 0,10 till 1,00)
- 20 Temperaturvärden MAX, MIN, DIF, AVG
Temperaturinställningar HAL, LAL Val av datapunkt
T-C mätning med termokors av typ K

SYMBOLER

	Varning! Se förklaringen i denna handbok.
	Varning! Laserljus. Titta inte in i laserstrålen.
°C	Celsius.
°F	Fahrenheit.
	Batteriindikation.
CE	Överensstämmer med EU-direktiven.
	Avyttra inte denna produkt tillsammans med osorterade, vanliga sopor. Ska återvinnas enligt gällande föreskrifter.

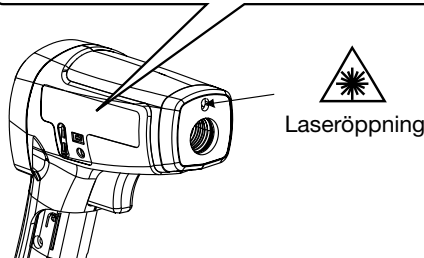
SÄKERHETSINFORMATION

Instrumentet uppfyller kraven enligt:

EN 61010-1 General Safety

EN 60825-1 Laser Safety

EN 61326-1 Electromagnetic Emissions and Susceptibility



Varning

- Titta inte in i laserstrålen.
- Rikta inte lasern direkt mot ögon eller indirekt mot reflektiva ytor.
- Får endast användas av kompetent personal.
- Byt ut batterierna så snart som ikonen för låg batteriladdning visas.
- Kontrollera att instrumentet fungerar genom att mäta på en känd spänningskälla. Använd inte termometern om den inte fungerar som den ska.
- Använd inte termometern i närheten av explosiv gas, ånga eller damm.
- För att undvika brännskador eller brand ska du vara medveten om att reflekterande föremål kan vara mycket varmare än den angivna temperaturavläsningen visar.
- Lämna inte termometern ovanpå eller i närheten av föremål med höga temperaturer.
- Om termometern används på ett sätt som inte anges i denna handbok kan det skydd som tillhandahålls av termometern nedsättas eller det kan leda till farlig exponering för laserstrålning.

Viktigt

För att undvika att skada termometern under mätning ska den skyddas från följande:

- EMF (elektromagnetiska fält) från bågsvetsar och induktionsvärmare
- Statisk elektricitet
- Plötslig temperaturförändring (försäkad av kraftiga eller plötsliga förändringar i den omgivande temperaturen — låt instrumentet vila i 30 minuter för att det ska stabiliseras före användning)
- Lämna inte termometern ovanpå eller i närheten av objekt med höga temperaturer

UPPACKNING OCH INSPEKTION

Din kartong ska innehålla:

- 1 Termometer (IR-750 / IR-750-EUR)
- 1 USB-kabel
- 1 Termokopplingsprob av typ K
- 1 Transportväska
- 1 Hårt skyddsfodral
- 1 9 V-batteri (installerat)
- 1 Användarhandbok

Om någon av de här artiklarna är skadade eller saknas ska du returnera hela paketet till inköpsstället för utbyte.

FUNKTIONER

Amprobe IR-750 / IR-750-EUR, är ett precisionsinstrument med förhållandet 50:1 mellan avstånd och mätpunkt och erbjuder bästa möjliga noggrannhet och svarstid med ett temperaturmätområde från -58 °F till 2822 °F eller -50 °C till 1550 °C.

IR-750 / IR-750-EUR är perfekt för krävande kvalitets- och processkontrollsfunktioner med krav på mycket hög precision och stort avstånd till mätpunkten. IR-750 / IR-750-EUR har även möjlighet att spara data för 99 punkter och har utrustats med anslutning för termokors och USB-kabel för avancerade funktioner för VVS, elinstallationer, industriell underhåll, bilverkstäder samt kvalitetskontroll och brandsäkerhetskontroller.

- Förhållandet 50:1 mellan avstånd och mätpunkt
- Temperaturintervall från -58 °F till 2822 °F eller -50 °C till 1550 °C
- Precision och snabb svarstid
- Laserpekare, dubbelt bakgrundsbelyst teckenfönster
- Automatisk låsning av teckenfönstret och minne för MAX/MIN
- Justerbart strålningsstäl för att kunna mäta en mängd olika material
- 99 minnesplatser och kabel för överföring till dator medföljer

HUR TERMOMETRARNAS FUNGERAR

Infraröda termometrar mäter yttemperaturen på ett föremål. Termometerns optik känner av utstrålad, reflekterad och överförd energi, som samlas och fokuseras mot en detektor. Enhetens elektronik översätter denna signal till ett temperaturvärde som sedan visas på enheten.

ANVÄNDA TERMOMETERN

Temperaturmätning

Termometern sätts på när du trycker på avtryckaren.





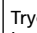






Termometern stängs av om ingen åtgärd utförs under 8 sekunder.

Utför en temperaturmätning genom att peka enheten mot ett föremål och trycka på avtryckaren. Du kan använda laserpekaren för att hjälpa till att rikta termometern. Tryck på och håll in avtryckaren vid mätning av önskad yta. När du släpper avtryckaren kommer mätvärdet att visas under 8 sekunder. Ta hänsyn till förhållandet mellan avstånd och mätpunkt samt synfält. Lasern används endast för att rikta termometern och har ingen inverkan på temperaturmätningen.

Termometern har en automatisk avstängningsfunktion som stänger av termometern efter 8 sekunders inaktivitet. Slå på termometern genom att trycka på avtryckaren.



Positioner för vridomkopplare

Knapp	Beskrivning
GUL knapp	Tryck på den GULA knappen för att växla mellan alternativen MAX, MIN, DIF, AVG, HAL, LAL, DATA och T-C. När termometern försätts i viloläge behöver du bara trycka på MODE för att aktivera termometern igen och den visar då det senaste mätresultatet.
SET (ställ in)	Tryck för att gå till inställningsläget för inställning av strålningstal, avtryckarlås och byte mellan visning av °C / °F. Informationen gäller nedanstående inställning av strålningstal, avtryckarlås och °C eller °F.
	Tryck  för att slå på eller stänga av bakgrundsbelysningen. Två niver av bakgrundsbelysning för teckenfönstret kan väljas för att anpassa till olika ljusförhållanden.
	Tryck på  för att slå på eller stänga av laserljuset. Symbolen  i teckenfönstret visar att laserljuset är PÅ.
 / 	När termometern ändras till inställningsläget (SET) trycker du på  eller  för att välja ett inställningsalternativ (strålningstal, avtryckarlås, byte mellan °C eller °F). När termometern ändras till läget HAL, LAL och DATA trycker du på  eller  för att välja ett inställningsalternativ (strålningstal, avtryckarlås, byte mellan °C eller °F).


Laser








För att undvika skada ska du inte rikta lasern direkt mot ögon eller indirekt mot reflekterande ytor.

Om termometern är utrustad med en laser ska denna endast användas för att rikta termometern. Lasern stängs av när avtryckaren släpps.

Så här aktiverar eller inaktiverar du lasern:

1. Tryck på knappen  för att aktivera eller inaktivera lasern. En symbol visas i teckenfönstret när lasern är aktiverad.

Inställning av strålningstal

1. Tryck på knappen SET för att välja inställning av strålningstal, ikonen  blinkar i teckenfönstret.
2. Tryck på  för att öka värdet med 0,01. Tryck på och håll ned knappen  för snabb inställning. Det maximala värdet är 1,00.
3. Tryck på  för att minska värdet med 0,01. Tryck på och håll ned knappen  för snabb inställning. Det minsta värdet är 0,01.
4. Tryck på MODE-knappen för att slutföra inställningen och avsluta inställningen av strålningstal eller tryck på SET för att slutföra inställningen och fortsätta inställningen för avtryckarlås.
Obs! Strålningstalet är som standard 0,95.

Tabell över ytors strålningsstal



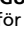
Mätningssyta	Ändra inställning
METALLER	
Aluminium	
Oxiderad	0,2 – 0,4
Legering A3003	
Oxiderad	0,3
Uppruggad	0,1 – 0,3
Mässing	
Skinande	0,3
Oxiderad	0,5
Koppar	
Oxiderad	0,4 – 0,8
Elektriska terminalblock	0,6
Haynes	
Legering	0,3 – 0,8
Inconel	
Oxiderad	0,7 – 0,95
Sandblästrad	0,3 – 0,6
Elektrokemiskt polerad	0,15
Järn	
Oxiderad	0,5 – 0,9
Rostat	0,5 – 0,7
Gjutjärn	
Oxiderad	0,6 – 0,95
Oxiderad	0,2
Stöpt	0,2 – 0,3
Smidesjärn	
Matt	0,9
Bly	
Grov	0,4
Oxiderad	0,2 – 0,6
Molybden	
Oxiderad	0,2 – 0,6
Nickel	
Oxiderad	0,2 – 0,5
Platina	
Svart	0,9
Stålplåt	
Kallvalsad	0,7 – 0,9
Bleckplåt	0,4 – 0,6
Polerad plåt	0,1
Zink	
Oxiderad	0,1

Mätningssyta	Ändra inställning
ICKEMETALLER	
Asbest	0,95
Asfalt	0,95
Basalt	0,7
Kol	
Oxiderad	0,8 – 0,9
Grafit	0,7 – 0,8
Karborundum	0,9
Keramik	0,95
Lera	0,95
Betong	0,95
Tyg	0,95
Glas	
planglas	0,85
Grus	0,95
Gips	0,8 – 0,95
Is	0,98
Kalksten	0,98
Papper (oavsett färg)	0,95
Plast	
Ogenomskinlig	0,95
Jord	0,9 – 0,98
Vatten	0,93
Trä, (naturligt)	0,9 – 0,95

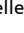

Avtryckarlås

Termometerns avtryckare kan låsas i aktiverat läge för kontinuerlig mätning.

Så här låser du avtryckaren:

1. Tryck på knappen **SET** för att välja inställning av avtryckarlås, ikonen  blinkar i teckenfönstret.
2. Tryck på  eller  för att välja ON (PÅ) eller OFF (AV).
3. Tryck på den **GULA** knappen för att slutföra inställningen och avsluta inställningen av avtryckarlås eller tryck på **SET** för att slutföra inställningen och fortsätta inställningen för °C / °F.

Inställning av °C / °F

1. Tryck på knappen **SET** för att välja inställning av °C / °F, ikonen för °C eller °F blinkar i teckenfönstret.
2. Tryck på  eller  för att välja °C eller °F.
3. Tryck på den **GULA** knappen för att slutföra inställningen och lämna inställningen av °C / °F.

MAX, MIN, DIF, AVG



Varje gång en mätning görs kan termometern visa högsta temperatur (MAX), lägsta temperatur (MIN), temperaturskillnad (DIF) eller genomsnittlig temperatur (AVG). Dessa värden är tillgängliga för IR-mätningar.

1. Tryck på den **GULA** knappen tills **MIN** eller **MAX** eller **AVG** eller **DIF** visas i teckenfönstret.
2. Tryck på och håll in avtryckaren medan du riktar mot önskad yta.
3. Värdet visas i det andra teckenfönstret.

Högt larm (HAL) och lågt larm (LAL)

Termometern har ett programmerbart högt och lågt larm för höga eller låga värden, beroende på de tröskelvärden som anges. När larmnivån nås hörs ett larm. Denna funktion är inte tillgänglig vid mätning med termokors.

Så här anger du antingen högt eller lågt larm:


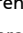
1. Tryck på den **GULA** knappen för att välja **HAL** eller **LAL**.
2. Tryck på  eller  för att ändra tröskelvärdet.
3. Tryck på SET för att avsluta inställningen. Symbolen **(HIGH eller LOW)** visas i teckenfönstret.


Så här stänger du av högt eller lågt larm:

1. Tryck på den **GULA** knappen för att välja **HAL** eller **LAL**.
2. Tryck på SET. Symbolen **(HIGH eller LOW)** försvinner från teckenfönstret för att visa att larmet är avstängt.

DATA-minne

Termometern har 99 lagringsplatser i dataminnenet och lagrade data kan överföras med hjälp av programvaran för IR-750 / IR-750-EUR. Så här sparar du data:

1. Tryck på den **GULA** knappen för att välja **DATA**.
2. Tryck på  eller  för att välja minnesplatsnummer för data.
3. Håll avtryckaren intryckt medan du siktar på målytan, tryck på DATA-knappen för att spara mätvärdet.

TFör att ta bort sparad data, när termometern är i standbyläget (skärmen är av), håll in "DATA" och  med avtryckaren intryckt tills ett pip hörs. Dataposterna på skärmen visar "----", all sparad data raderas.

Mätning med termokors av typ K

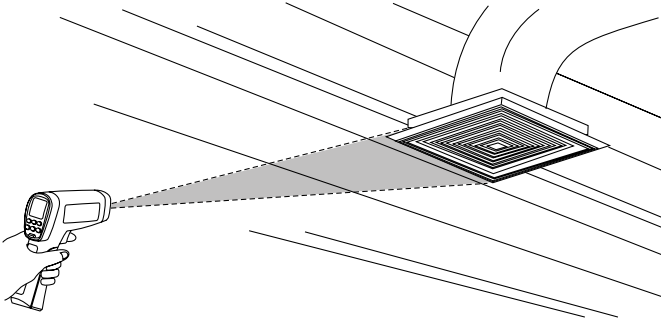
  För att undvika risk för elektriska stötar eller personskador ska du inte ansluta termokorsens probkontakt till strömförande kretsar.

Termometern levereras med termokors av typ K. Termokors av typ K är anslutet till termometern via TC-K-ingången på höger sida av termometern. Proben kan användas samtidigt som termometern utför kontaktfria mätningar.

1. Tryck på den **GULA** knappen för att komma till läget T-C. Teckenfönstret visar OL innan mätningen utförs.
2. Anslut termokors av typ K till termometern via TC-K-ingången på höger sida av termometern. Tryck på avtryckaren för att börja mätningen. Mätvärdet visas i det andra teckenfönstret.
3. Släpp avtryckaren och mätvärdet visas fortfarande i teckenfönstret (låst visning: 8 sekunder).

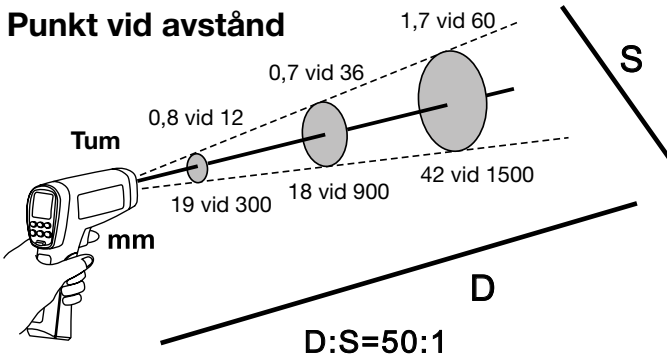
Hitta en het eller kall punkt

Hitta en het eller kall plats genom att rikta termometern utanför målområdet. Svep sedan långsamt över området med en upp och ner-rörelse tills du hittat den heta eller kalla platsen.



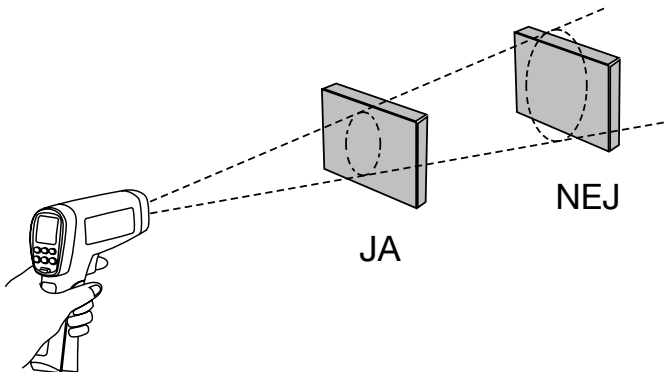
Avstånd och punktstorlek

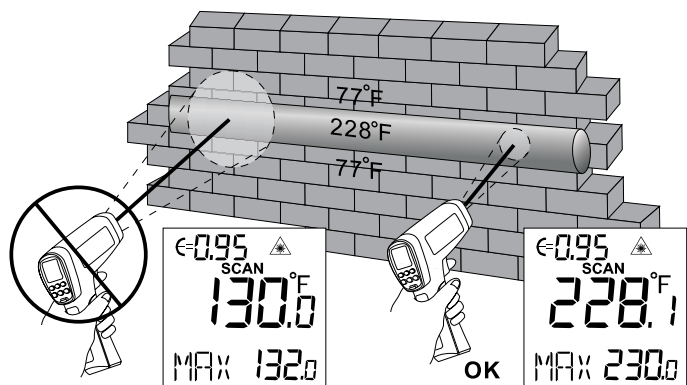
Efterhand som avståndet (D) från den plats som mäts ökar blir platsens storlek (S) större för det område som instrumentet mäter. Punktstorleken visar 90 % inringad energi.



Synfält

Kontrollera att det mål som ska mätas är större än punktstorleken. Ju mindre mål, desto närmare bör du vara till detta.





Strålningstal

Strålningstal anger materialets energiavgivningsegenskaper. De flesta organiska material och målade eller oxiderade ytor har ett strålningstal omkring 0,95.

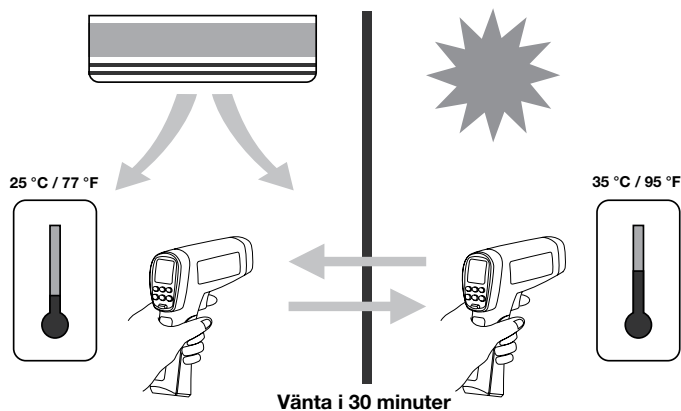
För att kompensera för felaktiga värden som kan uppstå vid mätning av blanka metalltytor kan den yta som ska mätas om möjligt täckas med maskeringstejp eller matt svart färg (< 150 °C / 302 °F) och använd den inställningen för högt strålningstal. Vänta en stund tills tejp eller färgen har nått samma temperatur som den underliggande ytan. Mät temperaturen på den tejpade eller målade ytan.

Om du inte kan använda färg eller tejp kan du förbättra noggrannheten för mätningarna med strålningstalsväljaren. Även med strålningstalsväljaren kan det vara svårt att få en helt exakt IR-mätning för ett mål med en blank eller metallisk yta.

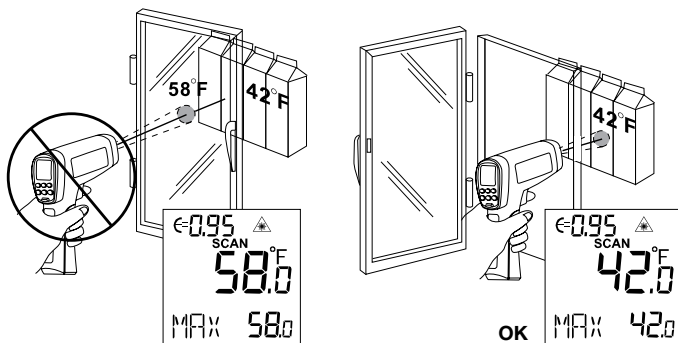
Med termometern kan du justera strålningstalet för den typ av yta du ska mäta innan du mäter. Se tabellen över olika ytors strålningstal. Men det gäller endast för ett typiskt fall. Du kan använda någon annan inställning, baserat på just ditt fall och ditt material.

Kom ihåg

1. Förändringar i den omgivande temperaturen kan resultera i felaktig avläsning. Låt instrumentet anpassa sig till omgivningstemperaturen före användning. Den angivna noggrannheten gäller efter att instrumentet har befunnit sig i en miljö minst 30 minuter efter ändring från en annan miljö.



2. Instrumentet kan inte mäta genom transparenta ytor, som till exempel glas. Den kan dock mäta glasets yttemperatur.



3. Se tabellen över olika ytors strålningstal vid användning på blanka eller polerade metallytor (rostfritt stål, aluminium o.dyl.).
4. Ånga, damm, rök o.dyl. kan förhindra exakta mätningar genom att dessa påverkar instrumentets optik.

TYPISKA MÅTT

I detta avsnitt beskrivs en rad olika mätningar som ofta utförs av tekniker.

Påminnelse:

- Användaren kan välja att aktivera eller inaktivera bakgrundsbelysningen och lasern under mätningar med termometern.
- Relativt högt strålningstal innebär normalt en inställning på ung. 0,95.
- Relativt lågt strålningstal innebär normalt en inställning på ung. 0,30.
- När användaren inte kan identifiera strålningstalet för det objekt som ska mätas kan användaren täcka den yta som ska mätas (temperatur > 150 °C) med svart eltejp (strålningstal omkr. 0,95). Låt teipen uppnå samma temperatur som det objekt som ska mätas. Mät och anteckna temperaturen för teipen.

Rikta termometern mot det objekt som ska mätas och ändra strålningstals-inställningen tills termometern visar samma temperatur som mot teipen. Då är termometerns strålningstalsinställning nära strålningstalet för det objekt som ska mätas och mätningen kan börja.

Testning av kontaktorer (startmotorer)

1. Tryck på **SET** för att välja strålningstal. Tryck på ▲ / ▼ för att välja ett relativt lågt strålningstal för ljusa kontakter eller mellannivån 0,7 för mörka kontakter.
2. Tryck på den **GULA** knappen för att välja **MAX**.
3. Mät ingående och utgående sida för en pol utan att släppa avtryckaren.
4. En temperaturskillnad mellan ingående och utgående sida för en pol påvisar en ökad resistans vid en punkt och det kan vara fel på kontaktorn.

Testning av kapslade reläer

1. Tryck på **SET** och tryck sedan på ▲ / ▼ för att ställa in strålningstalet till relativt lågt för oisolerade kontakter eller relativt högt för plastinneslutna reläer eller för bakelitinkapslade reläer eller isolerade kontakter.
2. Tryck på den **GULA** knappen för att välja **MAX**.
3. Börja skanna.
4. Mät reläets hölje och sök efter heta punkter.
5. Mät elektriska anslutningar på reläplintarna och sök efter heta punkter.

Testning av säkringar och bussanslutningar

1. Tryck på **SET** och tryck sedan på ▲ / ▼ för att ange strålningstalet till relativt högt för pappersomslagna säkringar eller isolerade anslutningar.
2. Tryck på den **GULA** knappen för att välja **MAX**.
3. Skanna den pappersklädda delen av säkringen.
4. Skanna alla säkringar, utan att släppa avtryckaren. Ojämn temperatur mellan säkringarna kan betyda ojämnheter mellan spänning eller strömstyrka.
5. Tryck på **SET** och tryck sedan på ▲ / ▼ för att ange strålningstalet till relativt lågt för metallsäkringar och proppar och isolerade bussanslutningar.
6. Tryck på **MODE** för att välja **MAX**.
7. Skanna båda ändarna för varje säkring.

Obs! Ojämma temperaturer eller hög temperatur påvisar lös eller korroderad anslutning genom säkringen eller bussens fjäderklämma.

Testning av elektriska anslutningar

1. Tryck på **SET** och tryck sedan på ▲ / ▼ för att ange strålningstalet till relativt lågt för oisolerade kontakter eller relativt högt för isolerade anslutningar.

Obs! Kontakter är normalt mindre än termometerns punktstorlek. Om punktstorleken är större än kontakten är den uppmätta temperaturen genomsnittsvärdet inom punkten.

2. Skanna ledaren, i riktning mot den elektriska kontakten (snabbkoppling, fästmutter, bussanslutning etc.).

Skanna väggar för att hitta luftläckage eller bristande isolering

1. Stäng av uppvärmning, kylning och kompressor.
2. Tryck på **SET** för att välja strålningstal. Tryck på ▲ / ▼ för att välja relativt högt strålningstal för målade ytor eller fönsterytor.
3. Tryck på den **GULA** knappen för att välja **MIN** när motsatta sidan av väggen är vid lägre temperatur och välj **MAX** när motsatta sidan av väggen är vid högre temperatur.
4. Mät temperaturen på ytan för en innervägg.
5. Släpp inte avtryckaren. Anteckna denna temperatur som din referens (eller riktlinje) för en "perfekt" isolerad vägg.
6. Vänd dig mot den vägg som ska skannas. Stå på 1,5 m avstånd för att skanna en 4 cm bred punkt på väggen.
7. Skanna horisontella linjer för väggen uppifrån och ned, eller horisontella linjer för taket från vägg till vägg. Sök efter största avvikelser från referenstemperaturen för att identifiera problem. Det avslutar isoleringstestningen.

Slå på kompressorn (ingen värme, ingen kylning) och testa igen. Om testresultaten med kompressorn igång skiljer sig från resultaten med fläkten avstängd kan det tyda på luftläckage i konditionerade väggar. Luftläckage beror på läckande ledningar som orsakar en tryckskillnad i väggarna.

Testning av lager

Varning

För att undvika skador vid testning av lager:

1. Bär inte löst sittande kläder, smycken eller något runt halsen vid arbete omkring rörliga delar, som t.ex. motorer, remmar, kompressorer och fläktar.
2. Se till att en strömbrytare finns inom räckhåll och fungerar korrekt och obehindrat.
3. Arbeta inte ensam.

Obs! Det fungerar bäst att jämföra två liknande motorer med liknande belastningar.

1. Tryck på **SET** och tryck sedan på ▲ / ▼ för att välja relativt högt strålningstal.
2. Tryck på **SELECT** för att välja **MAX**.
3. Starta motorn och låt den uppnå en stabil arbetstemperatur.

4. Inaktivera motorn om möjligt.
5. Mät de två motorernas lagertemperaturer.
6. Jämför de två motorernas lagertemperaturer. Olika temperaturer eller en hög temperatur kan påvisa ett smörjningsproblem eller annat lagerproblem på grund av för hög friktion.
7. Upprepa proceduren för kompressorns lager.

Testning av remmar och skivor

1. Tryck på **SET** och tryck sedan på ▲ / ▼ för att välja relativt högt strålningstal.
2. Tryck på **SELECT** för att välja **MAX**.
3. Starta motorn och låt den uppnå en stabil arbetstemperatur.
4. Rikta termometern mot den yta som ska mätas.
5. Starta temperaturmätningen.
6. Flytta termometern sakta upp längs remmen mot den andra skivan.
 - Om remmen slirar kommer skivans temperatur att vara hög på grund av friktionen.
 - Om remmen slirar kommer remmens temperatur att vara hög mellan skivorna.
 - Om remmen inte slirar kommer remmens temperatur att minska mellan skivorna.
 - Om insidan av skivorna inte har en korrekt "V"-form betyder det att remmen slirar och kommer att fortsätta att ha en förhöjd temperatur tills skivan byts ut.
 - Skivorna måste vara ordentligt inriktade (inklusive korrekt lutningsvinkel) för att remmen och skivorna ska arbeta med rätt temperatur. En riktlinjal eller ett spänt snöre kan användas för att kontrollera inriktningen.
 - Motorskivan ska arbeta vid en temperatur som överensstämmer med kompressorskivan.
 - Om motorskivan har en högre temperatur vid motoraxeln än vid dess yttre kant slirar remmen förmodligen inte.
 - Om temperaturen vid skivans yttre kant är högre än vid motoraxeln slirar remmen troligen och skivorna kan vara dåligt inriktade.

Kontrollera vattenbaserade strålningsvärmesystem

1. Tryck på **SET** och tryck sedan på / för att välja relativt högt strålningstal.
2. Tryck på den **GULA** knappen för att välja **MAX**.
3. Hitta strålningsvärmelerören i golv genom att tillfälligt höja slingtemperaturen och därigenom skapa varmare platser som kan identifiera var rören finns.
4. Innan du släpper avtryckaren trycker du på den **GULA** knappen för att växla mellan golvtemperaturvisningen **MIN**, **MAX** och **DIF** och notera temperaturen för framtida jämförelser och trender under liknande förhållanden.

Mätning av utloppstemperatur vid spridare, jalusigaller eller diffusör

1. Tryck på **SET** och tryck sedan på ▲ / ▼ för att välja relativt högt strålningstal.
2. Rikta termometern mot spridaren, jalusigallret eller diffusören.
3. Mät utloppstemperaturen.
4. Släpp avtryckaren för att visa den uppmätta temperaturen under 8 sekunder och spara den temperaturen.
5. Temperaturen vid spridare, jalusigaller eller diffusör ska vara samma som utsläppstemperaturen i lufthanteraren.

Söka efter blockering i luft-luft-förångare eller kondensorer

1. Avlägsna paneler för att få tillgång till kylelementets returledning eller U-rör.
2. Tryck på **SET** och tryck sedan på ▲ / ▼ för att välja relativt högt strålningstal för kopparrör.

3. Starta kylsystemet.
4. Rikta termometern mot returledningen eller U-rören.
5. Starta temperaturmätningen.
6. Mät temperaturen för varje returledning eller U-rör.
 - Alla förångarens temperaturer för returledning eller U-rör ska vara vid eller strax över förångarens mätningstemperatur enligt tabellen över tryck/temperatur.
 - Alla förångarens temperaturer för returledning eller U-rör ska vara vid eller strax över kondensorns mätningstemperatur.
 - Om en grupp returledningar eller U-rör inte överensstämmer med den förväntade temperaturen påvisar det ett igentäppt eller reducerat rör.

ANVÄNDA PROGRAMVÄRAN FÖR IR-750 / IR-750-EUR

Systemkrav

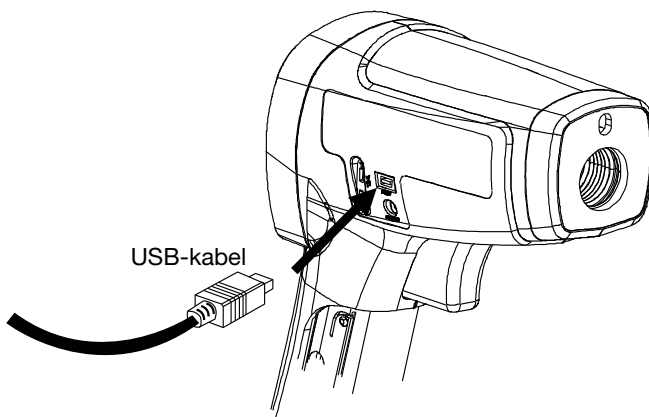
Rekommenderad konfiguration

Processor	Pentium® 4 eller senare, med stöd för alla vanliga operativsystem
Operativsystem	Microsoft Windows® 2000 / XP / Vista / Win7
Minne	512 MB RAM eller mer
Bildskärm	VGA (1024 x 768)
Enhet	CD-ROM
Inmatningsenhet	Mus eller kompatibel enhet
Gränssnitt	USB för dataöverföring

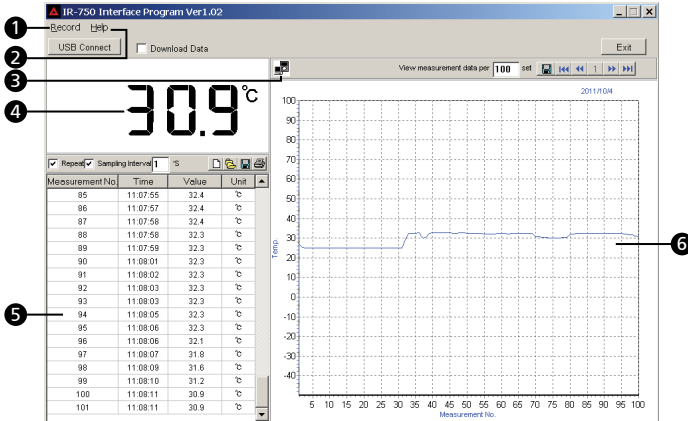
Installera programväran för IR-750 / IR-750-EUR

- Sätt in den medföljande CD-skivan i CD-ROM-enheten.
- Dubbelklicka på "IR-750_VX.XX.exe" (X kan vara 0 till 9 eller tomt, beroende på programversionens nummer).
- Följ de anvisningar som visas på skärmen under programinstallationen.

Ansluta USB-kabel till IR-750 / IR-750-EUR-termometern



Huvudskärmen



1 Record

2 Help

3 USB Connect

4 30.9 °C

5

6

Measurement No.	Time	Value	Unit
85	11:07:55	32.4	°C
86	11:07:57	32.4	°C
87	11:07:58	32.4	°C
88	11:07:58	32.3	°C
89	11:07:59	32.3	°C
90	11:08:01	32.3	°C
91	11:08:02	32.3	°C
92	11:08:03	32.3	°C
93	11:08:03	32.3	°C
94	11:08:05	32.3	°C
95	11:08:06	32.3	°C
96	11:08:06	32.1	°C
97	11:08:07	31.8	°C
98	11:08:09	31.6	°C
99	11:08:10	31.2	°C
100	11:08:11	30.9	°C
101	11:08:11	30.9	°C

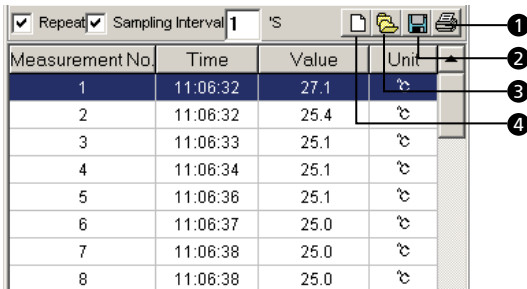
- 1 **Record** låter dig skapa nya mätningar, spara till fil och ange antalet mätningar (1000, 5000, 10000, 50000, 100000 eller obegränsat).
- 2 **Help** låter dig visa anvisningar för hur programvaran fungerar.
- 3 När den blinkar är IR-750 / IR-750-EUR ansluten till programvaran
- 4 Huvudfönstret för mätningar
- 5 Andra fönstret för mättningsdata
- 6 Mättningsdata i diagram

Använda programmet

USB Connect gör att du kan ansluta till IR-750 / IR-750-EUR-termometern och börja utföra mätningar. Klicka på "USB Connect" och blinkande visar att IR-750 / IR-750-EUR-termometern är ansluten till datorn och termometern kommer automatiskt att börja mäta. Huvudfönstret visar den aktuella uppmätta temperaturen, medan det andra fönstret visar alla mätdata.

Överföring av data kan göras så att du kan spara de data som registrerats av IR-750 / IR-750-EUR-termometern. Markera "Download Data" (överför data), klicka på "USB Connect" (USB-anslutning) och sparade data kommer automatiskt att överföras till datorn och visas i det andra fönstret.

Exit Avsluta och stäng programmet



1 Repeat Sampling Interval 1 'S

2 Unit

3

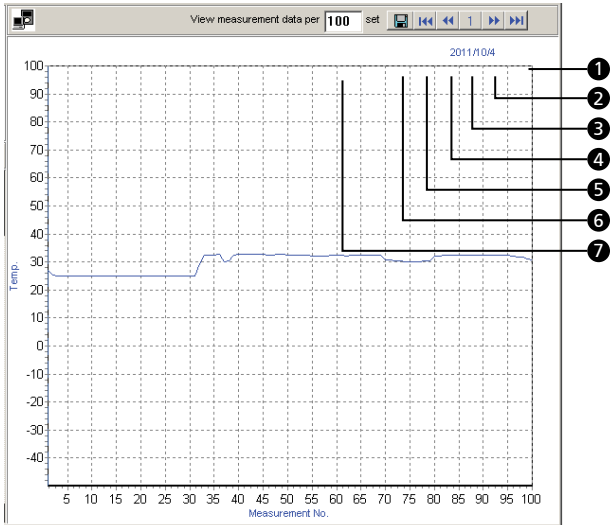
4

Measurement No.	Time	Value	Unit
1	11:06:32	27.1	°C
2	11:06:32	25.4	°C
3	11:06:33	25.1	°C
4	11:06:34	25.1	°C
5	11:06:36	25.1	°C
6	11:06:37	25.0	°C
7	11:06:38	25.0	°C
8	11:06:38	25.0	°C

- 1 Skriva ut data
- 2 Spara data (*.txt, *.xls, *.xml)
- 3 Öppna filen (*.txt, *.xls, *.xml)
- 4 Ta bort aktuella data och skapa nya data


Upprepning: Markera för att visa varje mätning med det intervall du anger. Om du avmarkerar "Repeat" (upprepning) visar det andra fönstret bara mätresultat som skiljer sig från den senast uppmätta temperaturen. Diagrammet visar alla mätresultat grafiskt, oavsett om "Repeat" (upprepning) är markerat eller avmarkerat. **Med hjälp av Sampling Interval (provningsintervall)** kan du ange ett provtagningsintervall för mätningarna (1 till 9999 sekunder).

Obs! När mätningarna når 10000 datauppsättningar (mättningsnr) kommer ett varningsmeddelande att visas och mätningarna stoppas. Spara eller radera mättningsdata innan du fortsätter med nästa mätning.



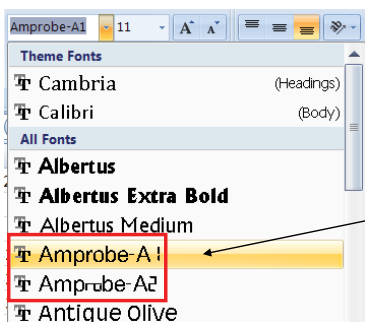
- ① Sista sidan
- ② Nästa sida
- ③ Aktuell sida
- ④ Föregående sida
- ⑤ Första sidan
- ⑥ Spara diagram på aktuell sida som *.bmp
- ⑦ Ange antal mätdata i diagrammet

Testrapport

Test data kan sparas i formatet *.txt, *.xls eller *.xml genom att klicka på . När du öppnar datarapporten ska du välja teckensnittformat som Amprobe-A1 eller Amprobe-A2 i kolumnen "Unit" (enhet) För att visa rätt temperaturenhet °C eller °F.

G6				
	A	B	C	D
1	Report created on: 2011/10/4			
2				
3	No	Time	Value	Unit
4	1	11:06:32	27.1	#
5	2	11:06:32	25.4	#
6	3	11:06:33	25.1	#
7	4	11:06:34	25.1	#
8	5	11:06:36	25.1	#
9	6	11:06:37	25	#
10	7	11:06:38	25	#
11	8	11:06:38	25	#

eller ? anger fel val av teckensnitt för temperaturenheten



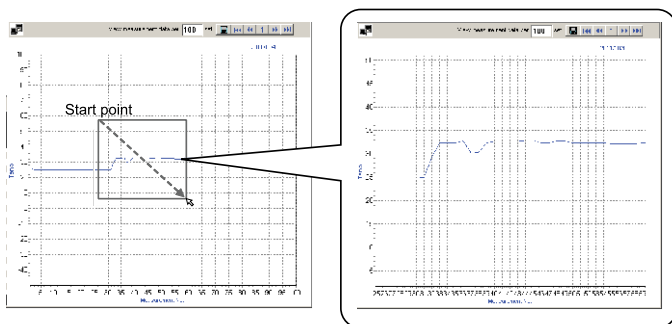
Välj Amprobe-A1 eller Amprobe-A2 för att visa rätt temperaturenhet


	A	B	C	D
1	Report created on: 2011/10/4			
2				
3	No	Time	Value	Unit
4	1	11:06:32	27.1	°C
5	2	11:06:32	25.4	°C
6	3	11:06:33	25.1	°C
7	4	11:06:34	25.1	°C
8	5	11:06:36	25.1	°C
9	6	11:06:37	25	°C
10	7	11:06:38	25	°C
11	8	11:06:38	25	°C

Korrekt visning av temperaturenhet

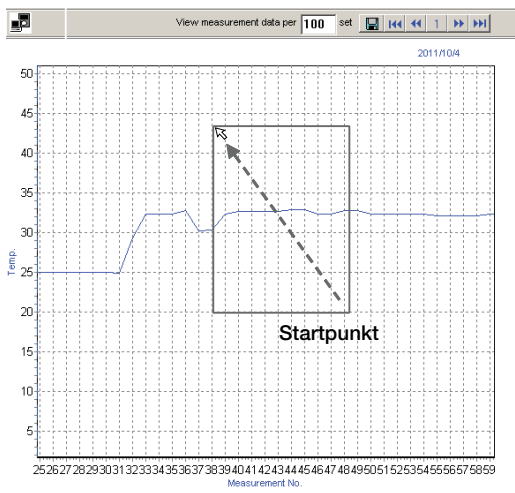
Zooma in önskat diagram

Om du vill förstora en viss del av diagrammet kan du använda muspekaren för att markera önskat område från den övre vänstra punkten till den nedre högra punkten.



Du kan använda knappen  om du vill spara det förstörade diagrammet.

Om du vill återgå till att visa hela diagrammet använder du muspekaren för att markera valfritt område i diagrammet från nedre högra punkten till övre vänstra punkten.



SPECIFIKATIONER

Funktion	IR-750 / IR-750-EUR
Temperaturområde	-50 °C till 1550°C (-58 °F till 2822 °F)
Noggrannhet med omgivande driftstemperatur från 23 °C till 25 °C (73 °F till 77 °F)	> 0 °C till 1550 °C (> 32 °F till 2822 °F): ±1,8 % eller ±1,8 °C (4 °F), beroende på vilket som är störst (Typisk) -35 °C till 0 °C (-31°F till 32°F): ±1,8 % +1 °C (2 °F) eller ±2,8 °C (±6 °F), beroende på vilket som är störst (Typisk) -50 °C till -35 °C (-58 °F till -31 °F): ej specificerat (endast för referens)
Repeterbarhet	±0,5 % av avläsningen eller ±0,5 °C (±1 °F), beroende på vilket som är störst (Typisk)
Teckenfönstrets upplösning	0,1 °C / 0,1 °F vid avläsning < 999,9 0,2 °C / 0,2 °F vid avläsning under 10 °C (50 °F) 1 °C / 1 °F vid avläsning > 999,9
Spektralrespons	8µm till 14µm
Lasersikte	Enpunktslaser
Lasereffekt	Effekt > 1 mW klass 2, våglängd från 630 till 670 nm
Svarstid (95%)	250 ms
Avstånd till punkt (D:S)	50:1
Minsta punktstorlek	19 mm
Strålningstal	Digitalt justerbart från 0,10 till 1,00 i steg om 0,01 Det förinställda strålningstalet är 0,95
Omgivande driftstemperatur	0 °C till 50 °C 32 °F till 120 °F
Relativ luftfuktighet	0 % till 75 % icke-kondenserande
Förvaringstemperatur	-20 °C till 65 °C / -4 °F till 150 °F (Batteriet inte installerat)
Temperaturvisning	Val mellan °C och °F
Läst visning	8 sek
MAX/MIN-temperaturvisning	√

Temperaturvisning DIF/AVG	✓
USB-gränssnitt	✓
Datalagring	99
Programmerbart högt och lågt larm	✓
Mätning med termokors av typ K	✓
Dubbelt teckenfönster	✓
Bakgrundsbelyst teckenfönster	✓
Indikation om svagt batteri	✓
Montering på trebensstativ	✓
Strömförsörjning	9 V 6F22 alkaliska batterier eller med hjälp av Amprobe nätadapter EPS-700-US (amerikansk kontakt) eller EPS-700-EUR (europeisk kontakt)
Batteriets användningstid	10 timmar med laser och bakgrundsbelysning 30 timmar utan laser och bakgrundsbelysning
Storlek (H x L x B)	Ung. 183 x 147 x 57 mm
Vikt	Ung. 345 g med batteri installerat
Valfritt tillbehör	Nätadapter EPS-700-US (amerikansk kontakt), EPS-700-EUR (Europeisk kontakt)

UNDERHÅLL

Rengöring av objektivet: Blås bort lösa partiklar med ren, komprimerad luft. Borsta försiktigt bort allt återstående skräp med en kamelhårspensel. Torka försiktigt ytan med fuktad bomullsvadd. Vadden kan fuktas med vatten eller tvättsprit.

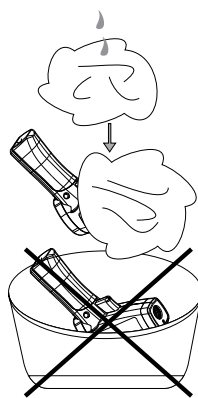
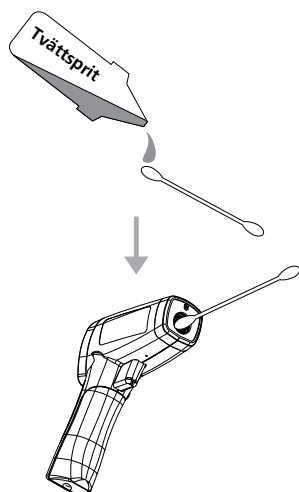
OBS! Använd INTE lösningsmedel för att rengöra plastobjektivet.

Rengöring av kåpan: Använd en svamp eller mjuk duk som fuktats med tvål och vatten.




Viktigt!

Sänk inte ned enheten i vatten.



FELSÖKNING

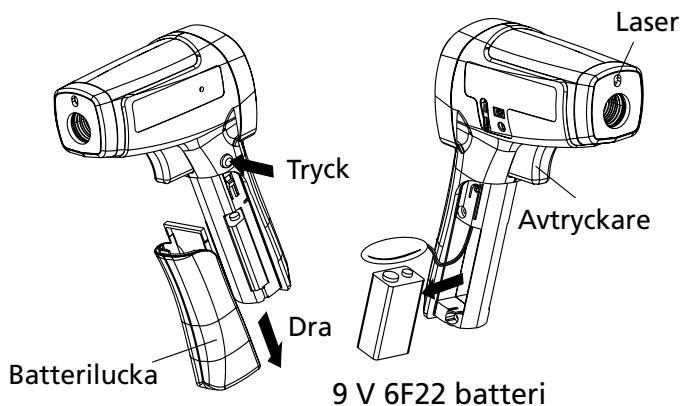
Kod	Problem	Åtgärd
OL	Måltemperaturen ligger över området	Välj ett mål inom specifikationerna
-OL	Måltemperaturen ligger under området	Välj ett mål inom specifikationerna
Batteriindikation 	Svagt batteri	Kontrollera och/eller byt ut batteriet
Tomt teckenfönster	Batteriet kan vara dött	Kontrollera och/eller byt ut batteriet
Lasern fungerar inte	1. Batteriet är svagt eller det är slut 2. Omgivande temperatur över 40 °C (104 °F)	1. Byt ut batteriet 2. Använd på en plats med lägre omgivande temperatur
Kontinuerligt pipande ljud	Kontrollera om något högt/lågt larm har ställts in? Och mätvärdet är utanför gränsen?	Ändra inställningen för högt/lågt larm eller avbryt gränstillningen

BYTA BATTERI

Installation eller byte av ett 9V-batteri (se nedan):

1. Tryck på knappen och dra handtaget nedåt för att öppna batteriluckan.
2. Installera batteriet och notera att det har rätt polaritet.
3. Sätt tillbaka batteriluckan.

Batteri: 9 V 6F22 alkaliskt batteri eller motsvarande



Visit amprobe.com for

- Catalog
- Application notes
- Product specifications
- User manuals

Amprobe®

amprobe.com

info@amprobe.com

Everett, WA 98203

Tel: 877-AMPROBE (267-7623)

Beha-Amprobe®

beha-amprobe.com

In den Engematten 14

79286 Glottertal, Germany

Tel.: +49 (0) 7684 8009 - 0



Please
Recycle